



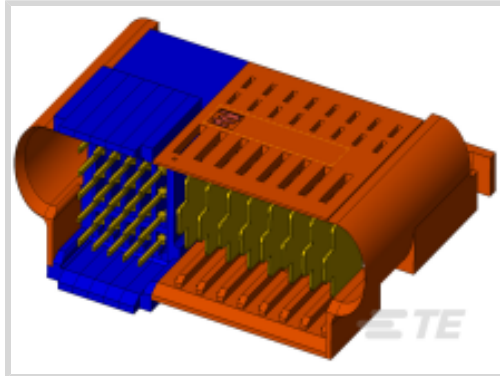
MINIPAK

TE Internal #: 1-1892786-8

Rectangular Power Connectors, Connector Assembly, Plug, Board-to-Board, 33 Position, 2 mm / 2.75 mm [.07 in / .108 in] Centerline

[View on TE.com >](#)

Connectors > Power Connectors > Rectangular Power > Rectangular Power Connectors



Rectangular Power Connector Type: **Connector Assembly**

Connector & Housing Type: **Plug**

Connector System: **Board-to-Board**

Number of Positions: **33**

Centerline (Pitch): **2 mm, 2.75 mm [.07 in, .108 in]**

Features

Product Type Features

Header Type	Fully Shrouded
Rectangular Power Connector Type	Connector Assembly
Connector & Housing Type	Plug
Connector System	Board-to-Board
Sealable	No
Connector & Contact Terminates To	Printed Circuit Board

Configuration Features

Number of Positions	33
PCB Mount Orientation	Right Angle
Number of Power Positions	8
Number of Signal Positions	25
Number of Rows	1, 5
Board-to-Board Configuration	Co-Planar, Perpendicular

Electrical Characteristics

Operating Voltage	60 VDC
-------------------	--------

Contact Features

Power Contact Base Material	Copper Alloy
Signal Contact Base Material	Phosphor Bronze



Contact Layout	Inline, Matrix
Contact Mating Area Plating Material	Gold, Gold Flash over Palladium Nickel
Contact Underplating Material	Nickel
Contact Current Rating (Max)	17 A
Contact Retention Within Housing	With
Contact Type	Blade, Pin
PCB Contact Termination Area Plating Material	Tin
Contact Mating Area Plating Material Thickness	.08 μm , .76 μm [3.302 μin][30 μin]

Termination Features

Termination Method to Printed Circuit Board	Through Hole - Press-Fit
---	--------------------------

Mechanical Attachment

Connector Mounting Type	Board Mount
-------------------------	-------------

Housing Features

Centerline (Pitch)	2 mm, 2.75 mm [.07 in][.108 in]
Housing Color	Black
Housing Material	LCP-GF (Liquid Crystal Polymer)

Dimensions

Row-to-Row Spacing	2 mm [.079 in]
--------------------	----------------

Usage Conditions

Operating Temperature Range	-40 – 125 °C
-----------------------------	--------------

Operation/Application

Circuit Application	Power & Signal
---------------------	----------------

Industry Standards

Agency/Standard	UL
UL Flammability Rating	UL 94V-0

Packaging Features

Packaging Method	Tray
------------------	------

Product Compliance

For compliance documentation, visit the product page on [TE.com](https://www.te.com)>

EU RoHS Directive 2011/65/EU	Compliant
EU ELV Directive 2000/53/EC	Compliant



China RoHS 2 Directive MIIT Order No 32, 2016	No Restricted Materials Above Threshold
EU REACH Regulation (EC) No. 1907/2006	Current ECHA Candidate List: JUNE 2023 (235) Candidate List Declared Against: JUNE 2023 (235) Does not contain REACH SVHC
Halogen Content	Low Halogen - Br, Cl, F, I < 900 ppm per homogenous material. Also BFR/CFR/PVC Free
Solder Process Capability	Not reviewed for solder process capability

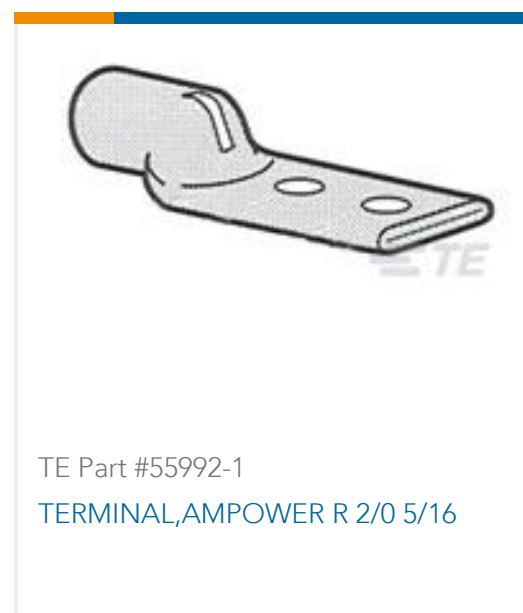
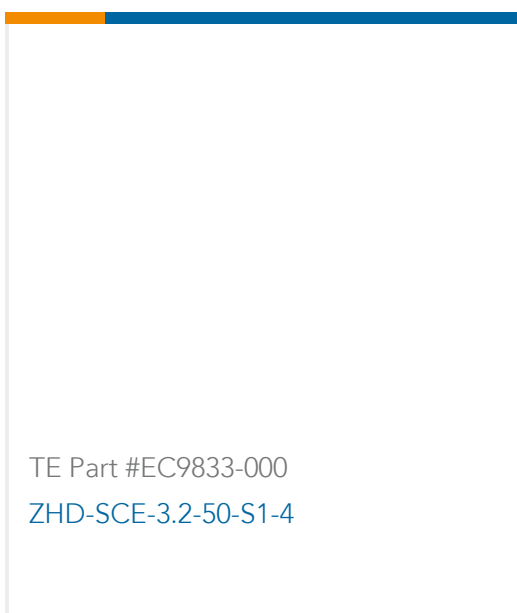
Product Compliance Disclaimer

This information is provided based on reasonable inquiry of our suppliers and represents our current actual knowledge based on the information they provided. This information is subject to change. The part numbers that TE has identified as EU RoHS compliant have a maximum concentration of 0.1% by weight in homogenous materials for lead, hexavalent chromium, mercury, PBB, PBDE, DBP, BBP, DEHP, DIBP, and 0.01% for cadmium, or qualify for an exemption to these limits as defined in the Annexes of Directive 2011/65/EU (RoHS2). Finished electrical and electronic equipment products will be CE marked as required by Directive 2011/65/EU. Components may not be CE marked. Additionally, the part numbers that TE has identified as EU ELV compliant have a maximum concentration of 0.1% by weight in homogenous materials for lead, hexavalent chromium, and mercury, and 0.01% for cadmium, or qualify for an exemption to these limits as defined in the Annexes of Directive 2000/53/EC (ELV). Regarding the REACH Regulation, the information TE provides on SVHC in articles for this part number is based on the latest European Chemicals Agency (ECHA) 'Guidance on requirements for substances in articles' posted at this URL: <https://echa.europa.eu/guidance-documents/guidance-on-reach>

Compatible Parts



Customers Also Bought





Documents

Product Drawings

[AssyMINIPAKHDL25s8pRAplugScrew](#)

English

CAD Files

[3D PDF](#)

3D

Customer View Model

[ENG_CVM_CVM_1-1892786-8_2.2d_dxf.zip](#)

English

Customer View Model

[ENG_CVM_CVM_1-1892786-8_2.3d_igs.zip](#)

English

Customer View Model

[ENG_CVM_CVM_1-1892786-8_2.3d_stp.zip](#)

English

By downloading the CAD file I accept and agree to the [Terms and Conditions](#) of use.

Product Specifications

[Application Specification](#)

English