



**Mini-SAS**

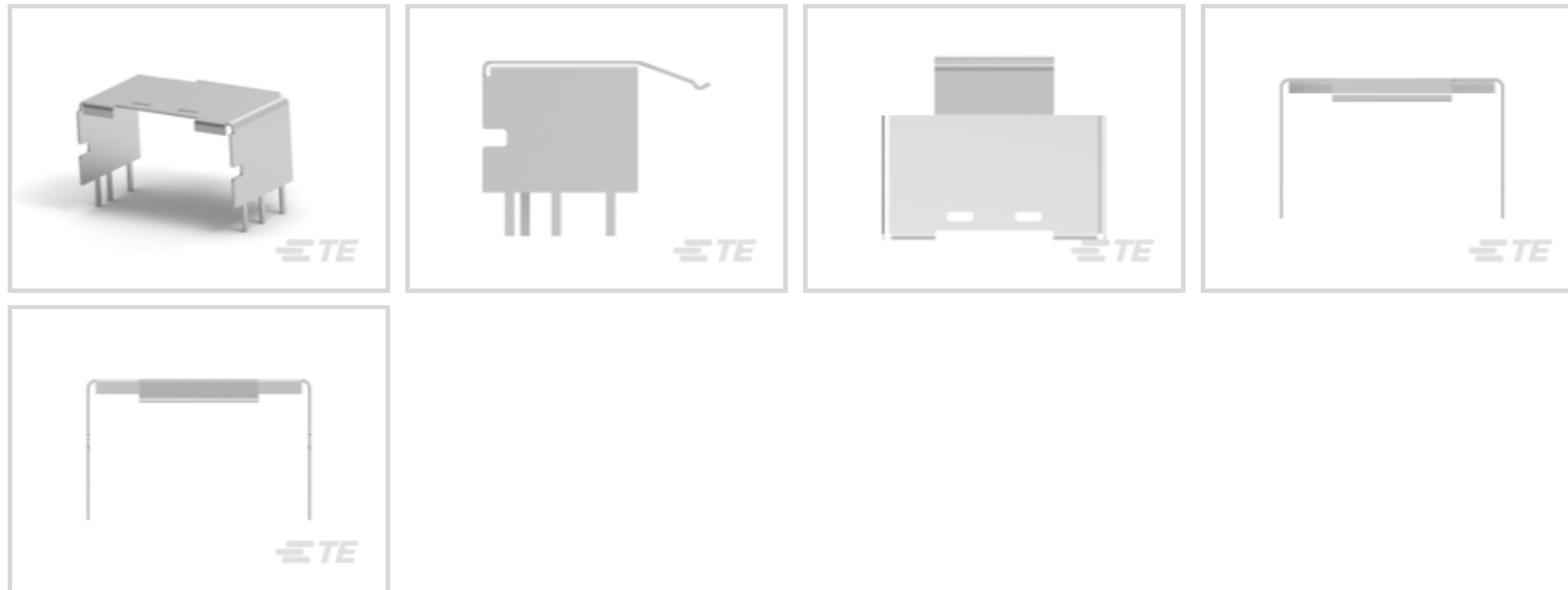
TE Internal #: 1-1888021-2

Mini-SAS, Through Hole - Solder, Shell, Board Mount, -67 – 221 °F

[-55 – 105 °C], Mini-SAS

[View on TE.com >](#)

Connectors > PCB Connectors > SAS & MiniSAS > Mini-SAS Shielded Receptacle:Right Angle



SAS Connector Type: **Mini-SAS**

Termination Method to Printed Circuit Board: **Through Hole - Solder**

SAS Connector Accessory Type: **Shell**

Connector & Contact Terminates To: **Printed Circuit Board**

Contact Current Rating (Max): **.5 A**

[All Mini-SAS Shielded Receptacle:Right Angle \(3\)](#)

**Features**

**Product Type Features**

SAS Connector Type	Mini-SAS
SAS Connector Accessory Type	Shell
Connector & Contact Terminates To	Printed Circuit Board

**Configuration Features**

Keying Type	2
-------------	---

**Contact Features**

Contact Current Rating (Max)	.5 A
------------------------------	------

**Termination Features**

Termination Post & Tail Length	2.8 mm[.11 in]
Termination Method to Printed Circuit Board	Through Hole - Solder

**Mechanical Attachment**

PCB Mount Retention	Without
Connector Mounting Type	Board Mount



### Usage Conditions

Operating Temperature Range	-55 – 105 °C[-67 – 221 °F]
-----------------------------	----------------------------

### Packaging Features

Packaging Quantity	150
Packaging Method	Box & Tray, Package

### Product Compliance

[For compliance documentation, visit the product page on TE.com>](#)

EU RoHS Directive 2011/65/EU	Compliant
EU ELV Directive 2000/53/EC	Compliant
China RoHS 2 Directive MIIT Order No 32, 2016	No Restricted Materials Above Threshold
EU REACH Regulation (EC) No. 1907/2006	Current ECHA Candidate List: JUNE 2023 (235) Candidate List Declared Against: JUNE 2023 (235) Does not contain REACH SVHC
Halogen Content	Low Halogen - Br, Cl, F, I < 900 ppm per homogenous material. Also BFR/CFR/PVC Free
Solder Process Capability	Not applicable for solder process capability

#### Product Compliance Disclaimer

This information is provided based on reasonable inquiry of our suppliers and represents our current actual knowledge based on the information they provided. This information is subject to change. The part numbers that TE has identified as EU RoHS compliant have a maximum concentration of 0.1% by weight in homogenous materials for lead, hexavalent chromium, mercury, PBB, PBDE, DBP, BBP, DEHP, DIBP, and 0.01% for cadmium, or qualify for an exemption to these limits as defined in the Annexes of Directive 2011/65/EU (RoHS2). Finished electrical and electronic equipment products will be CE marked as required by Directive 2011/65/EU. Components may not be CE marked. Additionally, the part numbers that TE has identified as EU ELV compliant have a maximum concentration of 0.1% by weight in homogenous materials for lead, hexavalent chromium, and mercury, and 0.01% for cadmium, or qualify for an exemption to these limits as defined in the Annexes of Directive 2000/53/EC (ELV). Regarding the REACH Regulation, the information TE provides on SVHC in articles for this part number is based on the latest European Chemicals Agency (ECHA) 'Guidance on requirements for substances in articles' posted at this URL: <https://echa.europa.eu/guidance-documents/guidance-on-reach>

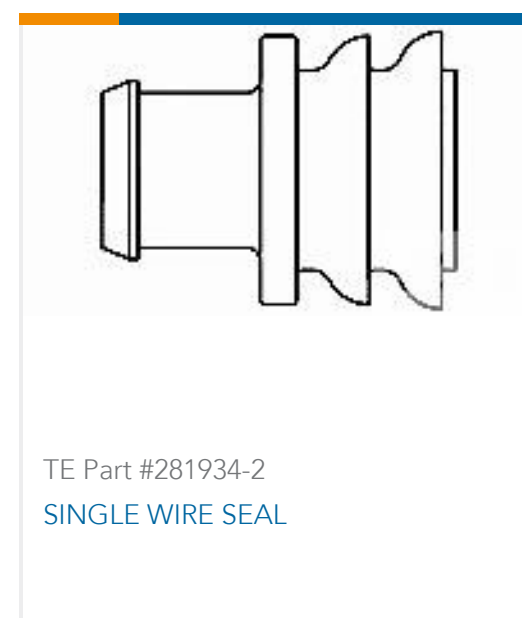
### Compatible Parts



## Also in the Series | Mini-SAS



## Customers Also Bought



## Documents

### Product Drawings

shield recpt ra 36pos press fit sff

English

### CAD Files

3D PDF

3D



### Customer View Model

[ENG\\_CVM\\_CVM\\_1-1888021-2\\_A.2d\\_dxf.zip](#)

English

### Customer View Model

[ENG\\_CVM\\_CVM\\_1-1888021-2\\_A.3d\\_igs.zip](#)

English

### Customer View Model

[ENG\\_CVM\\_CVM\\_1-1888021-2\\_A.3d\\_stp.zip](#)

English

By downloading the CAD file I accept and agree to the [Terms and Conditions](#) of use.

---

### Datasheets & Catalog Pages

[EVERCLEAR Mini Multi-Lane High Speed Interconnects Datasheet 1773447-2](#)

English

---

### Product Specifications

[Product Specification](#)

English