



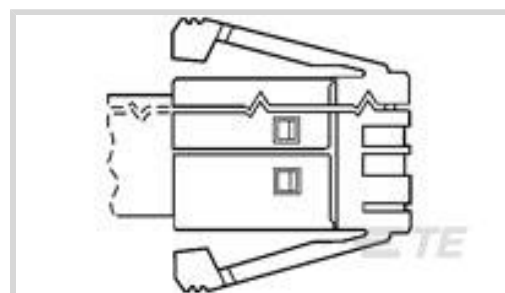
AMPLIMITE

TE Internal #: 1-1761184-3

SDL Connectors, Plug, Flat Ribbon Cable, 24 AWG Wire Size, .205 mm² / .2 mm² Wire Size, Cable-to-Board, 8 Position, .05 in [1.27 mm] Centerline

[View on TE.com >](#)

Connectors > Audio & Video Connectors > Shielded Data Link > SDL Connectors



Connector & Housing Type: **Plug**

Compatible With Wire & Cable Type: **Flat Ribbon Cable**

Wire Size: **.2 mm², .205 mm²**

Connector System: **Cable-to-Board**

Features

Product Type Features

Receptacle Configuration	Standard
Connector & Housing Type	Plug
Connector System	Cable-to-Board
Connector & Contact Terminates To	Wire & Cable

Configuration Features

Compatible With Wire & Cable Type	Flat Ribbon Cable
Number of Positions	8

Body Features

Shield Plating Material	Tin over Nickel
Shield Material	Brass

Contact Features

	50 μin
Contact Mating Area Plating Material	Gold
Contact Base Material	Copper Alloy
Contact Current Rating (Max)	1.5 A

Mechanical Attachment

PCB Mount Retention	Without
Polarization Code	A
Connector Mounting Type	Cable Mount (Free-Hanging)



Housing Features

Housing Material	Polycarbonate GF
Housing Color	Smoke Gray
Centerline (Pitch)	1.27 mm[.05 in]

Dimensions

Conductor Insulation Diameter Range	1.27 mm[.05 in]
Wire Size	.2 mm ² , .205 mm ²

Usage Conditions

Operating Temperature Range	-20 – 80 °C[-4 – 176 °F]
-----------------------------	--------------------------

Operation/Application

Circuit Application	Signal
---------------------	--------

Other

Audio & Video Connector Comment	Prefix no. designates key configuration. Suffix no. is a code for the number of conductors. Prefix & suffix nos. of plug assemblies must match those of the intended mating receptacle. Keys are molded in as an integral part of the plug & receptacle.
---------------------------------	--

Product Compliance

[For compliance documentation, visit the product page on TE.com>](#)

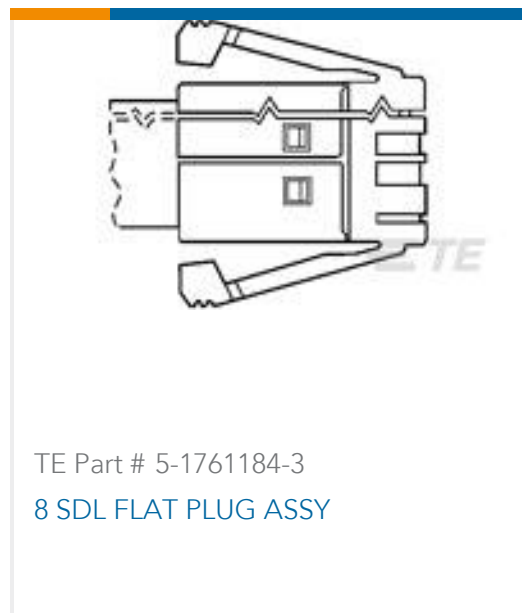
EU RoHS Directive 2011/65/EU	Compliant
EU ELV Directive 2000/53/EC	Compliant
China RoHS 2 Directive MIIT Order No 32, 2016	No Restricted Materials Above Threshold
EU REACH Regulation (EC) No. 1907/2006	Current ECHA Candidate List: JUNE 2023 (235) Candidate List Declared Against: JUNE 2023 (235) Does not contain REACH SVHC
Halogen Content	Not Low Halogen - contains Br or Cl > 900 ppm.
Solder Process Capability	Not applicable for solder process capability

Product Compliance Disclaimer

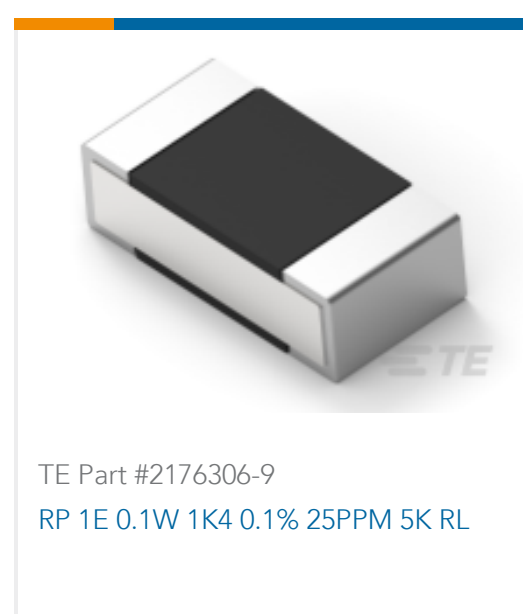
This information is provided based on reasonable inquiry of our suppliers and represents our current actual knowledge based on the information they provided. This information is subject to change. The part numbers that TE has identified as EU RoHS compliant have a maximum concentration of 0.1% by weight in homogenous materials for lead, hexavalent

chromium, mercury, PBB, PBDE, DBP, BBP, DEHP, DIBP, and 0.01% for cadmium, or qualify for an exemption to these limits as defined in the Annexes of Directive 2011/65/EU (RoHS2). Finished electrical and electronic equipment products will be CE marked as required by Directive 2011/65/EU. Components may not be CE marked. Additionally, the part numbers that TE has identified as EU ELV compliant have a maximum concentration of 0.1% by weight in homogenous materials for lead, hexavalent chromium, and mercury, and 0.01% for cadmium, or qualify for an exemption to these limits as defined in the Annexes of Directive 2000/53/EC (ELV). Regarding the REACH Regulation, the information TE provides on SVHC in articles for this part number is based on the latest European Chemicals Agency (ECHA) 'Guidance on requirements for substances in articles' posted at this URL: <https://echa.europa.eu/guidance-documents/guidance-on-reach>

Compatible Parts



Customers Also Bought



Documents



Product Drawings

8 SDL FLAT PLUG ASSY

English

CAD Files

3D PDF

3D

Customer View Model

[ENG_CVM_CVM_1-1761184-3_A.2d_dxf.zip](#)

English

Customer View Model

[ENG_CVM_CVM_1-1761184-3_A.3d_igs.zip](#)

English

Customer View Model

[ENG_CVM_CVM_1-1761184-3_A.3d_stp.zip](#)

English

By downloading the CAD file I accept and agree to the [Terms and Conditions](#) of use.

Product Specifications

Application Specification

English

Instruction Sheets

Instruction Sheet (U.S.)

English

Instruction Sheet (U.S.)

English