

1-172132-1 ✓ ACTIVE

FASTIN-FASTON | FASTIN-FASTON 250

TE Internal #: 1-172132-1

Crimp Terminal Housings, Receptacle, Receptacle, 3 Position, Straight, UL 94V-0, Natural, Nylon, Contact Mating Retention, FASTIN-FASTON 250

[View on TE.com >](#)



Terminals & Splices > Terminal Housings, Insulation Sleeves & Blocks > Crimp Terminal Housings



Terminal Type: **Receptacle**

Connector & Housing Type: **Receptacle**

Number of Positions: **3**

Terminal Orientation: **Straight**

UL Flammability Rating: **UL 94V-0**

Features

Product Type Features

Sealable	No
Connector & Contact Terminates To	Wire & Cable
Connector & Housing Type	Receptacle

Configuration Features

Number of Positions	3
---------------------	---

Body Features

Primary Product Color	Natural
-----------------------	---------

Contact Features

Terminal Type	Receptacle
Terminal Orientation	Straight
Contact Mating Retention	With

Mechanical Attachment

Mating Alignment	With
------------------	------



Connector Mounting Type

Cable Mount (Free-Hanging)

Housing Features

Housing Material

Nylon

Centerline (Pitch)

7 mm[.275 in]

Dimensions

Product Length

25 mm[.984 in]

Usage Conditions

Operating Temperature Range

-40 – 105 °C[-40 – 221 °F]

Industry Standards

UL Flammability Rating

UL 94V-0

Packaging Features

Packaging Quantity

100

Product Compliance

For compliance documentation, visit the product page on [TE.com](https://www.te.com)>

EU RoHS Directive 2011/65/EU

Compliant

EU ELV Directive 2000/53/EC

Compliant

China RoHS 2 Directive MIIT Order No 32, 2016

No Restricted Materials Above Threshold

EU REACH Regulation (EC) No. 1907/2006

Current ECHA Candidate List: JUNE 2023 (235)

Candidate List Declared Against: JUNE 2023 (235)

SVHC > Threshold:

Melamine (3% in Component Part)

Article Safe Usage Statements:

Wash thoroughly after handling. Do not handle until all safety precautions have been read and understood. Recycle if possible and dispose of the article by following all applicable governmental regulations relevant to your geographic location.

Halogen Content

Low Halogen - Br, Cl, F, I < 900 ppm per homogenous material. Also BFR/CFR/PVC Free

Solder Process Capability

Not applicable for solder process capability

Product Compliance Disclaimer

This information is provided based on reasonable inquiry of our suppliers and represents our current actual knowledge based on the information they provided. This information is subject to change. The part numbers that TE has identified as EU RoHS compliant have a maximum concentration of 0.1% by weight in homogenous materials for lead, hexavalent chromium, mercury, PBB, PBDE, DBP, BBP, DEHP, DIBP, and 0.01% for cadmium, or qualify for an exemption to these limits as defined in the Annexes of Directive 2011/65/EU (RoHS2). Finished electrical and electronic equipment products will be CE marked as required by Directive 2011/65/EU. Components may not be CE marked. Additionally, the part numbers that TE has identified as EU ELV compliant have a maximum concentration of 0.1% by weight in homogenous

materials for lead, hexavalent chromium, and mercury, and 0.01% for cadmium, or qualify for an exemption to these limits as defined in the Annexes of Directive 2000/53/EC (ELV). Regarding the REACH Regulation, the information TE provides on SVHC in articles for this part number is based on the latest European Chemicals Agency (ECHA) 'Guidance on requirements for substances in articles' posted at this URL: <https://echa.europa.eu/guidance-documents/guidance-on-reach>

Compatible Parts



TE Part # 170258-2
FF 250 REC 14-12AWG TPBR REREELING



TE Part # 170258-1
FF 250 REC 14-12AWG BR REREELING



TE Part # 2-172131-1
FF 250 REC HSG 3P NYLON NAT



TE Part # 1-626040-0
RELY BASE MOLDING 5W POLYPROPYLENE



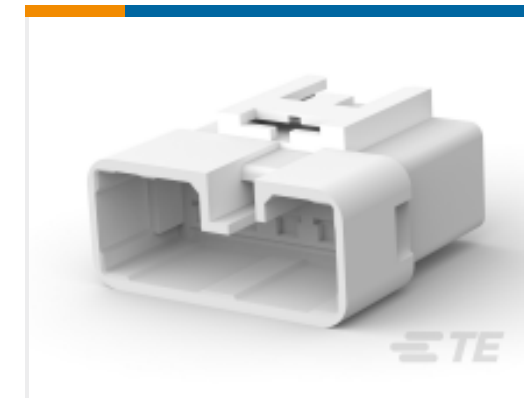
TE Part # 880192-2
5 WAY FF 110 HSG REC NYLON 66 NATURAL



TE Part # 1-172131-1
FF 250 CAP HSG 3P NYLON NAT



TE Part # 175979-1
FF 187 PLUG HSG 8P NYLON NAT



TE Part # 175978-1
CAP HOUSING 187 (4.8 MM) ASSEMBLY



TE Part # 178001-1
250 DBL LOCK CAP IKEI 3P NAT



TE Part # 880192-1
5W FASTIN-ON REC. H



TE Part # 927284-2
FF 250 REC HSG 3P NYLON NAT



TE Part # 2-172131-5
FF 250 REC HSG 3P NYLON BLUE

Also in the Series | FASTIN-FASTON 250



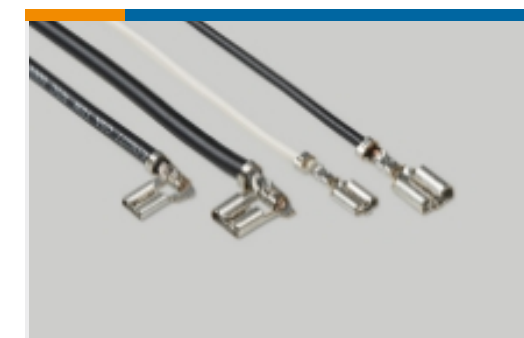
Crimp Terminal Housings(211)



Insertion & Extraction Tools(2)

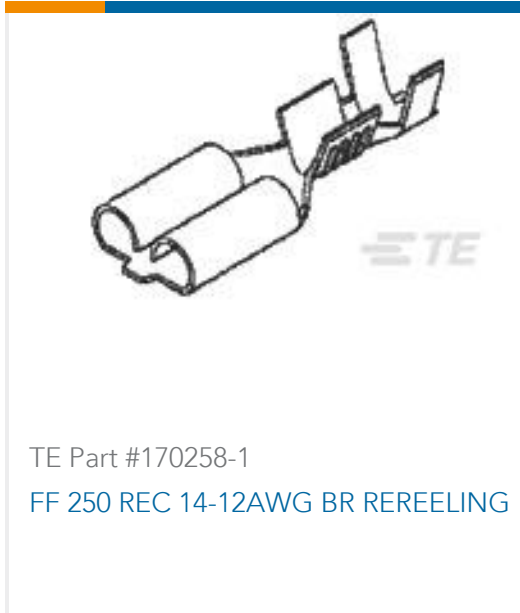
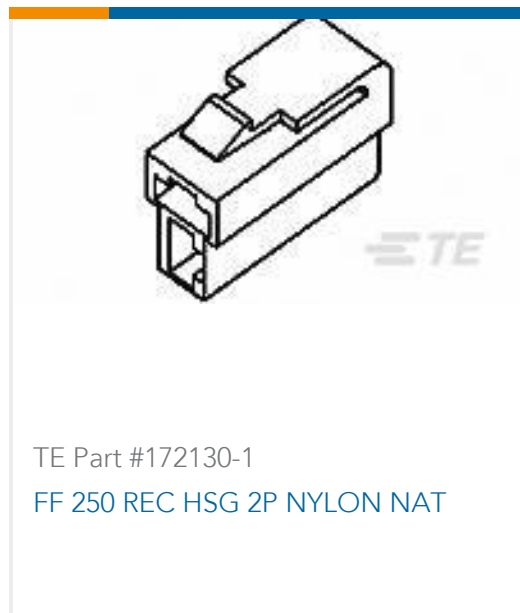
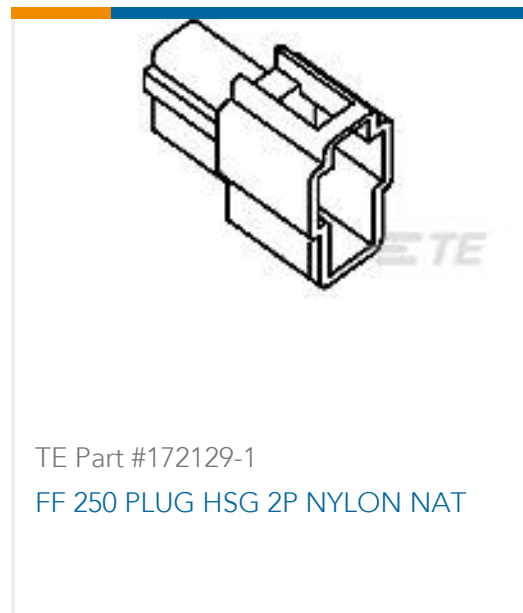


PCB Terminals(2)



Quick Disconnects(254)

Customers Also Bought



Documents

Product Drawings

[FF 250 PLUG HSG 3P NYLON NAT](#)

English

CAD Files

Customer View Model

[ENG_CVM_1-172132-1_D.3d_igs.zip](#)

English

Customer View Model

[ENG_CVM_1-172132-1_D.3d_stp.zip](#)

English

Customer View Model

[ENG_CVM_1-172132-1_D.2d_dxf.zip](#)

English

[3D PDF](#)

English

[3D PDF](#)

3D



Customer View Model

[ENG_CVM_CVM_1-172132-1_E.2d_dxf.zip](#)

English

Customer View Model

[ENG_CVM_CVM_1-172132-1_E.3d_igs.zip](#)

English

Customer View Model

[ENG_CVM_CVM_1-172132-1_E.3d_stp.zip](#)

English

By downloading the CAD file I accept and agree to the [Terms and Conditions](#) of use.

Datasheets & Catalog Pages

[White Paper: Nylon Discoloration](#)

English

Product Specifications

[Application Specification](#)

English

Product Environmental Compliance

[MD_1-172132-1_05122015251_dmtec](#)

English

[MD_1-172132-1_05122015251_dmtec](#)

English

Agency Approvals

[CSA Certificate](#)

English

[CSA Certificate](#)

English