

1-1718484-1 ✓ ACTIVE

AMP | AMP MCP Connector System

TE Internal #: 1-1718484-1

Housing for Female Terminals, Wire-to-Device / Wire-to-Board, 25

Position, .197 in / .157 in [5 mm / 4 mm] Centerline, Black, AMP

MCP Connector System

[View on TE.com >](#)



Connectors > Automotive Connectors > Automotive Housings > AMP MCP Unsealed Connector Housings



Connector System: **Wire-to-Board, Wire-to-Device**

Number of Positions: **25**

Connector & Housing Type: **Housing for Female Terminals**

Centerline (Pitch): **4 mm, 5 mm [.157 in, .197 in]**

Sealable: **No**

[All AMP MCP Unsealed Connector Housings \(195\)](#)

Features

Product Type Features

Hybrid Connector	Yes
Connector Shape	Rectangular
Connector System	Wire-to-Board, Wire-to-Device
Connector & Housing Type	Housing for Female Terminals
Sealable	No
Primary Locking Feature	On the Terminal

Configuration Features

Number of Positions	25
Number of Rows	3

Electrical Characteristics

Operating Voltage	36 VDC
Nominal Voltage Architecture	12 V, 24 V



Body Features

Cable Exit Angle	180°
Primary Product Color	Black
Connector & Keying Code	A

Contact Features

Contact Size	1.5K, 2.8mm
Contact Type	Receptacle
Mating Tab Width	1.5 mm, 2.8 mm [.059 in] [.11 in]

Mechanical Attachment

Terminal Position Assurance	No
Strain Relief	Without
Mating Alignment Type	Keyed
Mating Alignment	With
Connector Mounting Type	Cable Mount (Free-Hanging)

Housing Features

Housing Material	PBT GF
Centerline (Pitch)	4 mm, 5 mm [.157 in] [.197 in]

Dimensions

Connector Height	24.3 mm [.956 in]
Product Width	26 mm [1.02 in]
Product Length	42.3 mm [1.66 in]
Row-to-Row Spacing	4.2 mm, 8.1 mm [.165 in] [.318 in]

Usage Conditions

Operating Temperature (Max)	120 °C [248 °F]
Operating Temperature Range	-40 – 120 °C [-40 – 248 °F]

Industry Standards

UL Flammability Rating	UL 94HB
------------------------	---------

Packaging Features

Packaging Quantity	900
Packaging Method	Box

Other

Serviceable	No
-------------	----



Connector Position Assurance Capable

No

Product Compliance

[For compliance documentation, visit the product page on TE.com>](#)

EU RoHS Directive 2011/65/EU	Compliant
EU ELV Directive 2000/53/EC	Compliant
China RoHS 2 Directive MIIT Order No 32, 2016	No Restricted Materials Above Threshold
EU REACH Regulation (EC) No. 1907/2006	Current ECHA Candidate List: JUNE 2023 (235) Candidate List Declared Against: JUNE 2023 (235) Does not contain REACH SVHC
Halogen Content	Low Halogen - Br, Cl, F, I < 900 ppm per homogenous material. Also BFR/CFR/PVC Free
Solder Process Capability	Not applicable for solder process capability

Product Compliance Disclaimer

This information is provided based on reasonable inquiry of our suppliers and represents our current actual knowledge based on the information they provided. This information is subject to change. The part numbers that TE has identified as EU RoHS compliant have a maximum concentration of 0.1% by weight in homogenous materials for lead, hexavalent chromium, mercury, PBB, PBDE, DBP, BBP, DEHP, DIBP, and 0.01% for cadmium, or qualify for an exemption to these limits as defined in the Annexes of Directive 2011/65/EU (RoHS2). Finished electrical and electronic equipment products will be CE marked as required by Directive 2011/65/EU. Components may not be CE marked. Additionally, the part numbers that TE has identified as EU ELV compliant have a maximum concentration of 0.1% by weight in homogenous materials for lead, hexavalent chromium, and mercury, and 0.01% for cadmium, or qualify for an exemption to these limits as defined in the Annexes of Directive 2000/53/EC (ELV). Regarding the REACH Regulation, the information TE provides on SVHC in articles for this part number is based on the latest European Chemicals Agency (ECHA) 'Guidance on requirements for substances in articles' posted at this URL: <https://echa.europa.eu/guidance-documents/guidance-on-reach>

Compatible Parts



TE Part # CAT-AM705-CH8173
AMP MCP Unsealed Connector Housings



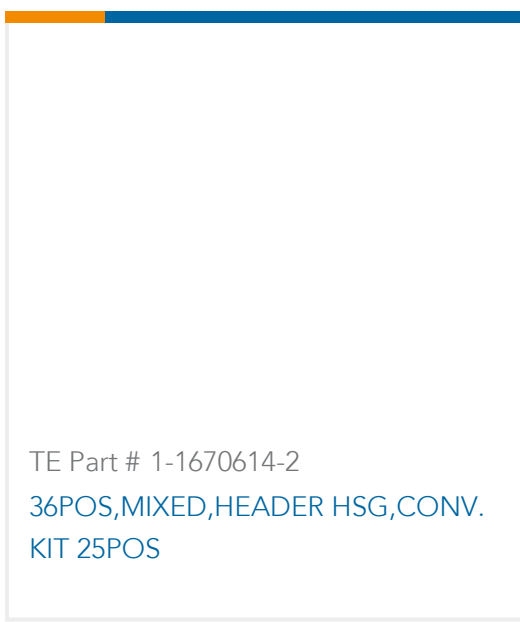
TE Part # CAT-AM705-T273
AMP MCP, RECEPTACLE AND TAB



TE Part # 2112286-1
COVER,90,FOR REC. CARRIER 25/36P



TE Part # 1-1670615-2
36POS,MIXED,HEADER ASSY,CONV. KIT 25POS

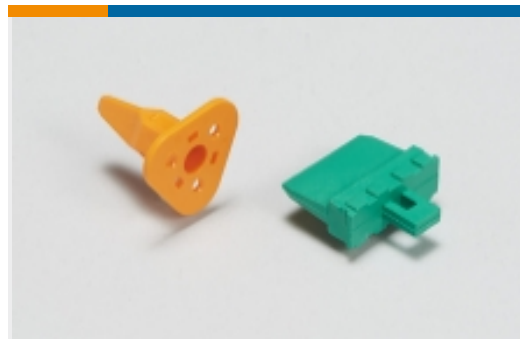


TE Part # 1-1670614-2
36POS,MIXED,HEADER HSG,CONV.
KIT 25POS

Also in the Series | AMP MCP Connector System



Automotive Connector Caps & Covers (25)



Automotive Connector Locks & Position Assurance(7)



Automotive Housings(360)



Automotive Terminals(135)



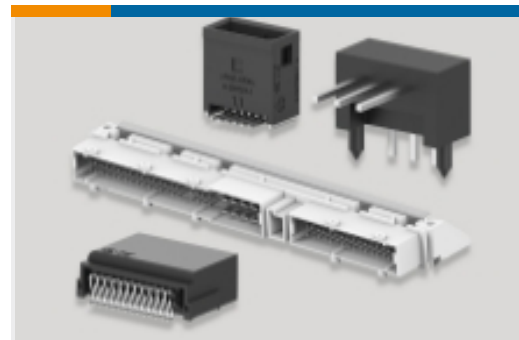
Connector Seals & Cavity Plugs(6)



Insertion & Extraction Tools(13)

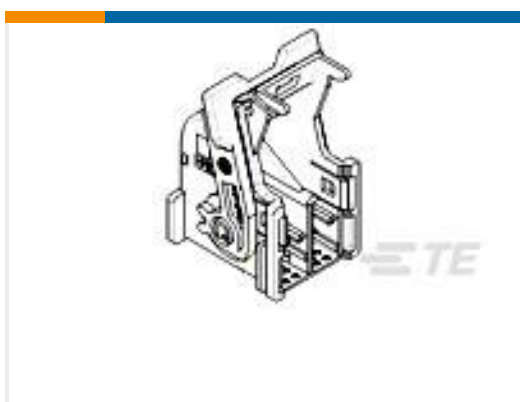


Other Automotive Connector Accessories(2)

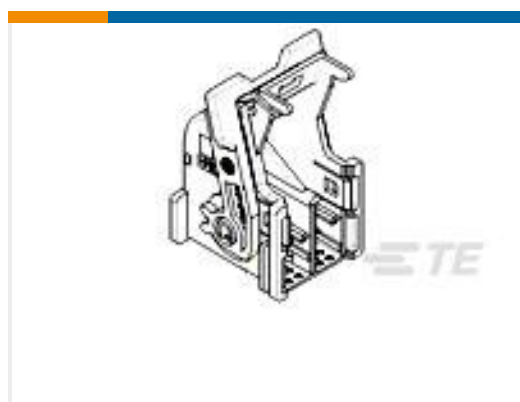


PCB Headers & Receptacles(30)

Customers Also Bought



TE Part #953122-3
40W MQS COVER ASSY (15D)



TE Part #953122-4
40W MQS COVER ASSY (15d)



TE Part #1718490-2
AMP MCP 1.5 RECEPT HSG 9 POS



TE Part #2209477-1
MQS, CONNECTOR HOUSING



TE Part #776932-4
52 pos plug, 0.64 and 2.80mm



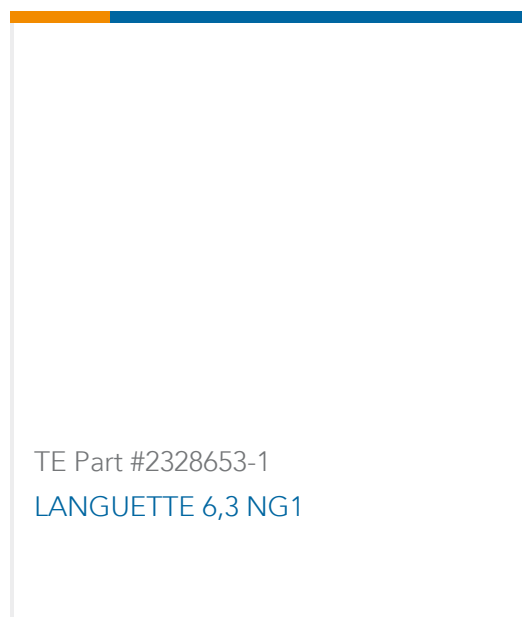
TE Part #2-1813018-2
MINI FUSE RECEPTACLE P7 FOR 0.85 ~1.25



TE Part #2-1813018-3
MINI FUSE RECEPTACLE PITCH 7MM 2~3.0



TE Part #2325415-2
40POS,ML .025,REC HSG ASSY,UNSLD



Documents

Product Drawings

CARRIER FOR RECEPTACLE INSERTS

English

CAD Files

3D PDF

3D

Customer View Model

[ENG_CVM_CVM_1-1718484-1_D_c-1-1718484-1-d.2d_dxf.zip](#)

English

Customer View Model

[ENG_CVM_CVM_1-1718484-1_D_c-1-1718484-1-d.3d_igs.zip](#)

English

Customer View Model

[ENG_CVM_CVM_1-1718484-1_D_c-1-1718484-1-d.3d_stp.zip](#)

English

By downloading the CAD file I accept and agree to the [Terms and Conditions](#) of use.

Product Specifications

Application Specification

German