



AMP | MCON Interconnection System

TE Internal #: 1-1703494-4

Housing for Male Terminals, Wire-to-Wire, 3 Position, .157 in [4 mm] Centerline, Sealable, Yellow, Wire & Cable, Power, MCON Interconnection System

[View on TE.com >](#)

Connectors > Automotive Connectors > Automotive Housings



Connector System: **Wire-to-Wire**

Number of Positions: **3**

Connector & Housing Type: **Housing for Male Terminals**

Centerline (Pitch): **4 mm [ .157 in ]**

Sealable: **Yes**

**Features**

**Product Type Features**

Mixed & Hybrid Connector	No
Connector Shape	Rectangular
Connector System	Wire-to-Wire
Connector & Housing Type	Housing for Male Terminals
Sealable	Yes
Connector & Contact Terminates To	Wire & Cable
Primary Locking Feature	On the Terminal

**Configuration Features**

Number of Positions	3
Number of Rows	1

**Electrical Characteristics**

Operating Voltage	12 VDC
Nominal Voltage Architecture	12 V

**Body Features**

Cable Exit Angle	180°
Primary Product Color	Yellow
Connector & Keying Code	A

**Contact Features**



Contact Size	1.2mm
Contact Type	Tab
Contact Current Rating (Max)	25 A

#### Mechanical Attachment

Terminal Position Assurance	Yes
Strain Relief	Without
Mating Alignment Type	Keyed
Mating Alignment	With
Connector Mounting Type	Cable Mount (Free-Hanging)

#### Housing Features

Housing Material	PBT GF
Centerline (Pitch)	4 mm [.157 in]

#### Dimensions

Connector Height	14.95 mm [.589 in]
Product Width	44 mm [1.732 in]
Product Length	18.8 mm [.74 in]

#### Usage Conditions

Operating Temperature (Max)	130 °C [266 °F]
Operating Temperature Range	-40 – 130 °C [-40 – 266 °F]

#### Operation/Application

Circuit Application	Power
---------------------	-------

#### Industry Standards

UL Flammability Rating	UL 94HB
------------------------	---------

#### Packaging Features

Packaging Quantity	1400
Packaging Method	Box

#### Other

Serviceable	Yes
Connector Position Assurance Capable	No

#### Product Compliance

[For compliance documentation, visit the product page on TE.com>](#)



EU RoHS Directive 2011/65/EU	Compliant
EU ELV Directive 2000/53/EC	Compliant
China RoHS 2 Directive MIIT Order No 32, 2016	No Restricted Materials Above Threshold
EU REACH Regulation (EC) No. 1907/2006	Current ECHA Candidate List: JUNE 2023 (235) Candidate List Declared Against: JUNE 2023 (235) Does not contain REACH SVHC
Halogen Content	BFR/CFR/PVC Free, but Br/Cl >900 ppm in other sources.
Solder Process Capability	Not reviewed for solder process capability

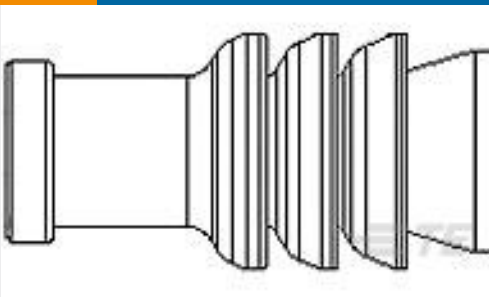
Product Compliance Disclaimer

This information is provided based on reasonable inquiry of our suppliers and represents our current actual knowledge based on the information they provided. This information is subject to change. The part numbers that TE has identified as EU RoHS compliant have a maximum concentration of 0.1% by weight in homogenous materials for lead, hexavalent chromium, mercury, PBB, PBDE, DBP, BBP, DEHP, DIBP, and 0.01% for cadmium, or qualify for an exemption to these limits as defined in the Annexes of Directive 2011/65/EU (RoHS2). Finished electrical and electronic equipment products will be CE marked as required by Directive 2011/65/EU. Components may not be CE marked. Additionally, the part numbers that TE has identified as EU ELV compliant have a maximum concentration of 0.1% by weight in homogenous materials for lead, hexavalent chromium, and mercury, and 0.01% for cadmium, or qualify for an exemption to these limits as defined in the Annexes of Directive 2000/53/EC (ELV). Regarding the REACH Regulation, the information TE provides on SVHC in articles for this part number is based on the latest European Chemicals Agency (ECHA) 'Guidance on requirements for substances in articles' posted at this URL: <https://echa.europa.eu/guidance-documents/guidance-on-reach>

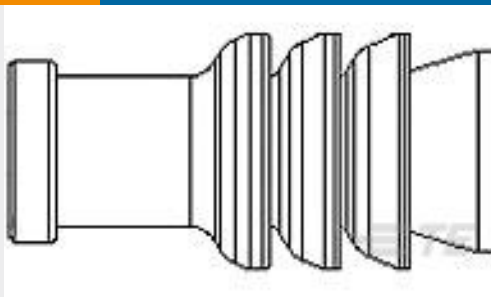
### Compatible Parts



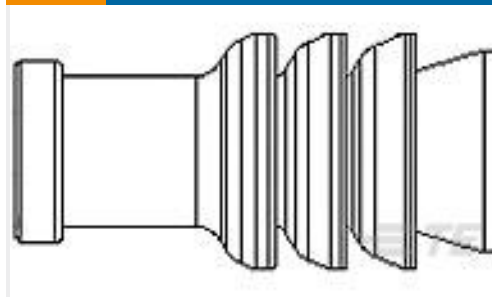
TE Part # 1-1670917-1  
3POS, MCON 1.2 LL REC SEALED



TE Part # 967056-1  
MOS BLINDSTOPFEN4MM



TE Part # 967067-1  
MOS SGL WIRE SEAL



TE Part # 967067-2  
MOS EINZELLEITDICHT



TE Part # CAT-M4595-T273  
MCON Receptacle and Tab



TE Part # 3-1579028-8  
EXTRACTION TOOL

### Also in the Series | MCON Interconnection System



Automotive Connector Caps & Covers (24)



Automotive Connector Locks & Position Assurance(11)



Automotive Housings(320)



Automotive Terminals(122)



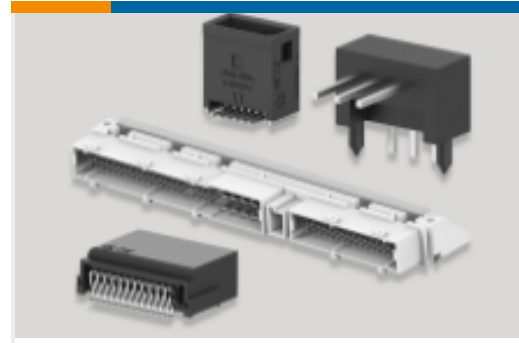
Connector Seals & Cavity Plugs(10)



Insertion & Extraction Tools(31)

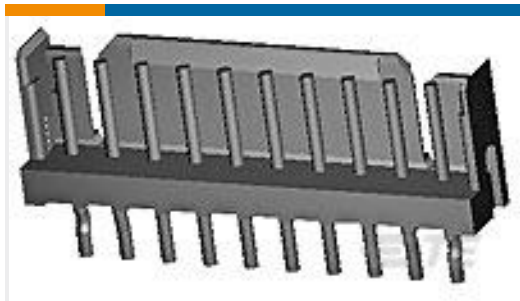


Other Automotive Connector Accessories(2)

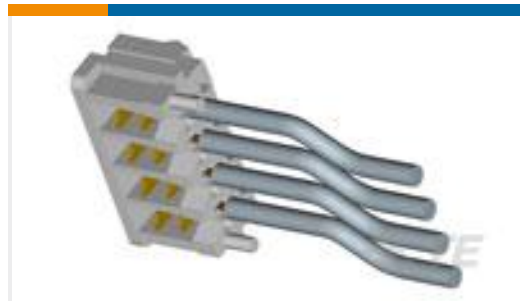


PCB Headers & Receptacles(2)

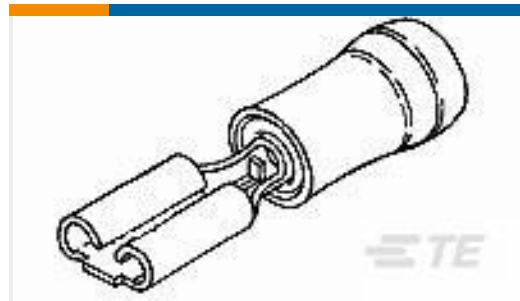
## Customers Also Bought



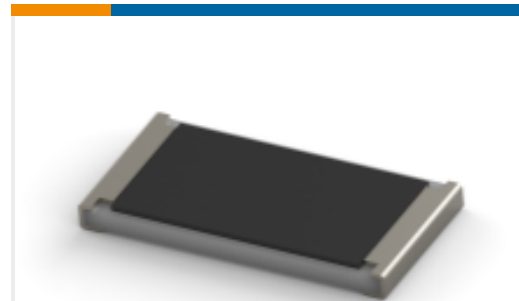
TE Part #292161-6  
CT P/HDR ASSY V 6P W/KINK NAT



TE Part #173977-6  
CT CONN MT REC ASSY 6P



TE Part #61060-1  
RECEPT,PIDG FASTON 22-18 110



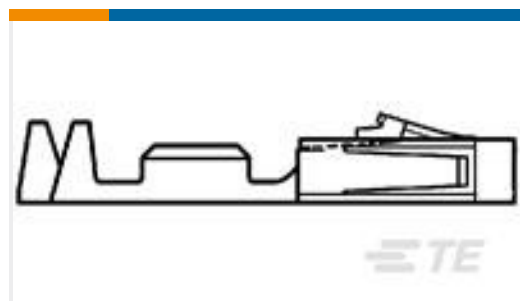
TE Part #5-2176070-3  
SMD Power Resistor: 2 Watt, 3521 Series



TE Part #87631-6  
10 MODIV HSG DR MRKD .100 POL



TE Part #5-104363-1  
02 MTE HDR SRST LATCH .100CL



TE Part #1-104479-1  
SHORT POINT RECP CONT LP



TE Part #103638-2  
03 MTE HDR SRST LATCH .100CL



TE Part #3-644695-5  
05P MTA100 STR HDR RETENTIVE

## Documents



### CAD Files

#### 3D PDF

3D

#### Customer View Model

[ENG\\_CVM\\_CVM\\_1-1703494-4\\_B.2d\\_dxf.zip](#)

English

#### Customer View Model

[ENG\\_CVM\\_CVM\\_1-1703494-4\\_B.3d\\_igs.zip](#)

English

#### Customer View Model

[ENG\\_CVM\\_CVM\\_1-1703494-4\\_B.3d\\_stp.zip](#)

English

By downloading the CAD file I accept and agree to the [Terms and Conditions](#) of use.

### Datasheets & Catalog Pages

#### MCON Interconnection System

English

### Product Specifications

#### Product Specification

English