



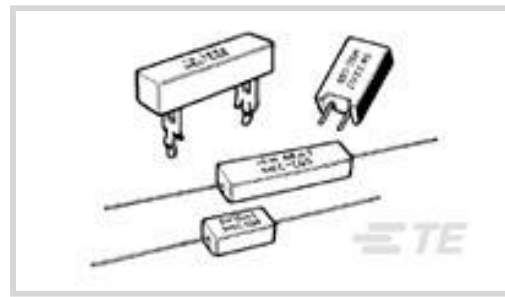
CGS | CGS SQ

TE Internal #: 1-1623779-3

2.2 Ω, Wire Wound, Power Resistor, 5 %, 60 x 14 x 13.5 mm, 2 Termination, Loose Piece - Box, 20 W, ±300 ppm/°C, CGS SQ

[View on TE.com >](#)

Passive Components > Resistors > Through-Hole Resistors > Wirewound Resistor: Vertical Mount



Resistor Type: **Power Resistor**

Passive Component Dimensions: **60 x 14 x 13.5 mm**

Number of Terminations: **2**

Packaging Method: **Loose Piece - Box**

Passive Component Tolerance: **5 %**

[All Wirewound Resistor: Vertical Mount \(202\)](#)

Features

Product Type Features

| | |
|---------------|----------------|
| Product Type | Fixed Resistor |
| Resistor Type | Power Resistor |
| Element Type | Wire Wound |

Configuration Features

| | |
|---------------------|---|
| Number of Resistors | 1 |
|---------------------|---|

Electrical Characteristics

| | |
|-----------------------------|-----------|
| Passive Component Tolerance | 5 % |
| Resistance Class | Up to 1kΩ |
| Resistance Value | 2.2 Ω |
| Power Rating | 20 W |

Body Features

| | |
|-----------------------------|---------------|
| Passive Component Lead Type | Radial-Leaded |
|-----------------------------|---------------|

Termination Features

| | |
|---|---------------------|
| Number of Terminations | 2 |
| Passive Component Termination Material Type | Tinned Copper Leads |

Dimensions

| | |
|------------------------------|-------------------|
| Passive Component Dimensions | 60 x 14 x 13.5 mm |
|------------------------------|-------------------|

Usage Conditions

| | |
|-----------------------------|-----------------------------------|
| Operating Temperature Range | -55 – 250 $^{\circ}\text{C}$ |
| Temperature Coefficient | ± 300 ppm/ $^{\circ}\text{C}$ |

Packaging Features

| | |
|------------------|-------------------|
| Packaging Method | Loose Piece - Box |
|------------------|-------------------|

Product Compliance

[For compliance documentation, visit the product page on TE.com>](#)

| | |
|---|---|
| EU RoHS Directive 2011/65/EU | Compliant |
| EU ELV Directive 2000/53/EC | Compliant |
| China RoHS 2 Directive MIIT Order No 32, 2016 | No Restricted Materials Above Threshold |
| EU REACH Regulation (EC) No. 1907/2006 | Current ECHA Candidate List: JUNE 2023 (235) Candidate List Declared Against: JUNE 2023 (235) Does not contain REACH SVHC |
| Halogen Content | Low Halogen - Br, Cl, F, I < 900 ppm per homogenous material. Also BFR/CFR/PVC Free |
| Solder Process Capability | Wave solder capable to 265 $^{\circ}\text{C}$ |

Product Compliance Disclaimer

This information is provided based on reasonable inquiry of our suppliers and represents our current actual knowledge based on the information they provided. This information is subject to change. The part numbers that TE has identified as EU RoHS compliant have a maximum concentration of 0.1% by weight in homogenous materials for lead, hexavalent chromium, mercury, PBB, PBDE, DBP, BBP, DEHP, DIBP, and 0.01% for cadmium, or qualify for an exemption to these limits as defined in the Annexes of Directive 2011/65/EU (RoHS2). Finished electrical and electronic equipment products will be CE marked as required by Directive 2011/65/EU. Components may not be CE marked. Additionally, the part numbers that TE has identified as EU ELV compliant have a maximum concentration of 0.1% by weight in homogenous materials for lead, hexavalent chromium, and mercury, and 0.01% for cadmium, or qualify for an exemption to these limits as defined in the Annexes of Directive 2000/53/EC (ELV). Regarding the REACH Regulation, the information TE provides on SVHC in articles for this part number is based on the latest European Chemicals Agency (ECHA) 'Guidance on requirements for substances in articles' posted at this URL: <https://echa.europa.eu/guidance-documents/guidance-on-reach>

Compatible Parts



TE Part # CAT-C339-SQ1
Wirewound Resistor: Vertical Mount

Also in the Series | CGS SQ

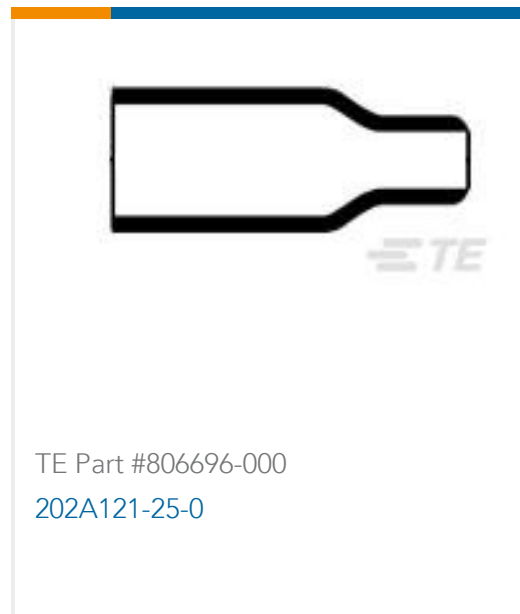


Through-Hole Resistors(662)

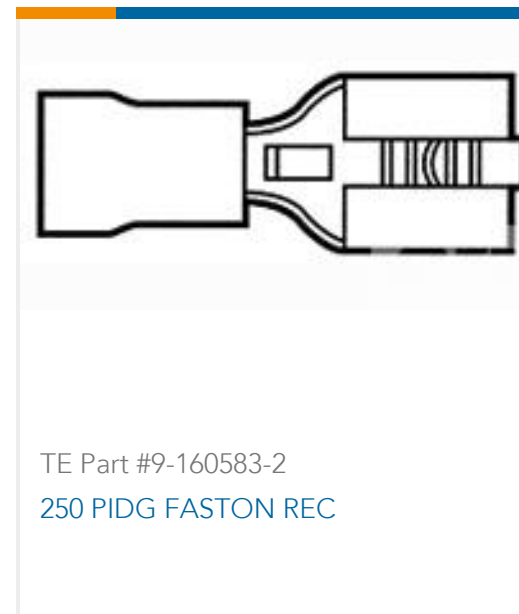
Customers Also Bought



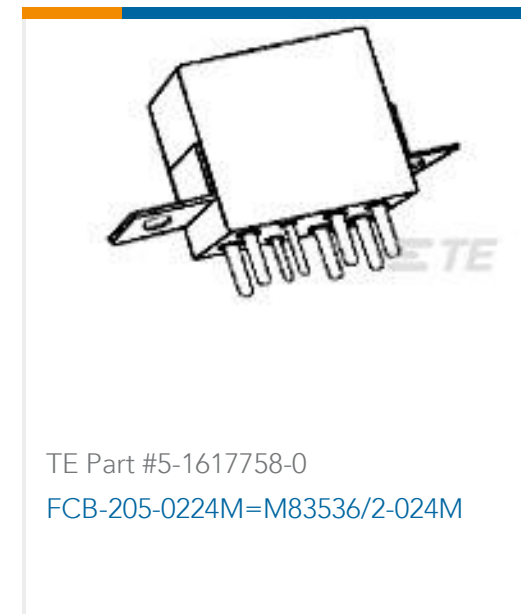
TE Part #806702-000
222A142-25-0



TE Part #806696-000
202A121-25-0



TE Part #9-160583-2
250 PIDG FASTON REC



TE Part #5-1617758-0
FCB-205-0224M=M83536/2-024M



TE Part #1622298-1
LR1 1% 10K



TE Part #91526-1
CCII MR II+ REC 26-18 ASSY



TE Part #323745
TERMINAL,SOLIS R HT 12-10 8



TE Part #1-964114-1
MAG MATE KONTAKT2,8

Documents

[Product Drawings](#)
[SQB20 2R2 5% \(WIRE\)](#)

English

[Datasheets & Catalog Pages](#)
[4-1773460-6_RESISTIVE_SOLUTIONS_RAIL](#)

English



[1309350_PASSIVE_COMPONENT](#)

English

[8-1773459-4_POWER_FILTERING_AND_RESISTIVE_SOLUTIONS_FOR_ELEVATORS_AND_ESCALATORS](#)

English