



Kilovac | Kilovac EV200

TE Internal #: 1-1618002-2

High Voltage Relays, 12 – 900VDC Contact Voltage Rating, 1 Form X, SPST-NO, Flying Leads, Stud Terminals, External Economizer, Kilovac EV200

[View on TE.com >](#)

Relays, Contactors & Switches > Relays > High Voltage Relays



Contact Voltage Rating: **12 – 900 VDC**

High Voltage Relay Contact Arrangement: **1 Form X, SPST-NO**

High Voltage Connection (Coil): **Flying Leads**

High Voltage Connection (Power): **Stud Terminals**

Economizer: **External**

Features

Product Type Features

RF Rated	No
Product Type	Relay
Relay Type	High Voltage

Configuration Features

Economizer	External
Power Switching	Yes

Electrical Characteristics

Contact Voltage Rating	12 – 900 VDC
High Voltage Relay Voltage (Max)	900 VDC
High Voltage Relay Coil Voltage Rating	48 – 95 VDC
High Voltage Relay Coil Resistance	100 Ω
High Voltage Relay Contact Switching Voltage (Max)	900

Contact Features

High Voltage Relay Contact Arrangement	1 Form X, SPST-NO
Auxiliary Contacts	Without
High Voltage Relay Contact Current Rating	500 A
Contact Base Material	Copper

Termination Features



High Voltage Connection (Coil)	Flying Leads
High Voltage Connection (Power)	Stud Terminals
Termination Style	Stud Terminals

Mechanical Attachment

High Voltage Relay Mounting Type	Bottom
----------------------------------	--------

Product Compliance

[For compliance documentation, visit the product page on TE.com>](#)

EU RoHS Directive 2011/65/EU	Compliant
EU ELV Directive 2000/53/EC	Compliant
China RoHS 2 Directive MIIT Order No 32, 2016	No Restricted Materials Above Threshold
EU REACH Regulation (EC) No. 1907/2006	Current ECHA Candidate List: JUNE 2023 (235) Candidate List Declared Against: JAN 2022 (223) Does not contain REACH SVHC
Halogen Content	Low Halogen - Br, Cl, F, I < 900 ppm per homogenous material. Also BFR/CFR/PVC Free
Solder Process Capability	Hand solderable with lead free solder

Product Compliance Disclaimer

This information is provided based on reasonable inquiry of our suppliers and represents our current actual knowledge based on the information they provided. This information is subject to change. The part numbers that TE has identified as EU RoHS compliant have a maximum concentration of 0.1% by weight in homogenous materials for lead, hexavalent chromium, mercury, PBB, PBDE, DBP, BBP, DEHP, DIBP, and 0.01% for cadmium, or qualify for an exemption to these limits as defined in the Annexes of Directive 2011/65/EU (RoHS2). Finished electrical and electronic equipment products will be CE marked as required by Directive 2011/65/EU. Components may not be CE marked. Additionally, the part numbers that TE has identified as EU ELV compliant have a maximum concentration of 0.1% by weight in homogenous materials for lead, hexavalent chromium, and mercury, and 0.01% for cadmium, or qualify for an exemption to these limits as defined in the Annexes of Directive 2000/53/EC (ELV). Regarding the REACH Regulation, the information TE provides on SVHC in articles for this part number is based on the latest European Chemicals Agency (ECHA) 'Guidance on requirements for substances in articles' posted at this URL: <https://echa.europa.eu/guidance-documents/guidance-on-reach>

Compatible Parts



TE Part # 8-1618388-3
LEV200AKANA=RELAY, SPST-NO



TE Part # 8-1618404-1
LEV200AKNAF=RELAY, SPST-NO
72VDC



TE Part # 1618002-4
EV200A3ANA=RELAY, EV200, SPST-
72VDC

Also in the Series | Kilovac EV200



DC Contactors(1)



Definite Purpose Contactors(1)



High Voltage Relays(17)

Customers Also Bought



TE Part #T4062113004-005
M8 Male Straight to Female Straight
Double Ended Cable



TE Part #T4162123005-002
RPC-M12-5MS-1.0SH-M12-5FS-PUR



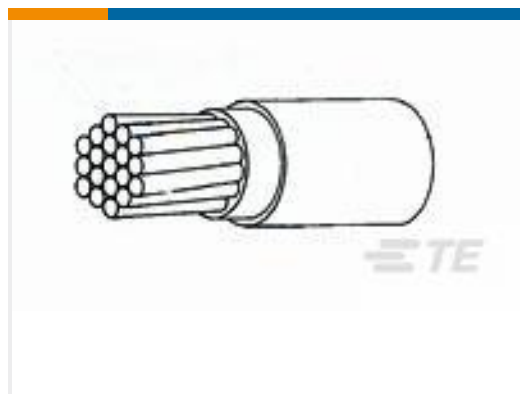
TE Part #1-1618002-1
EV200ADANA=RELAY, EV200 SPST-
NO



TE Part #2-2176088-8
RP 1J 0.166W 1K47 0.1% 25PPM 1K RL
NO



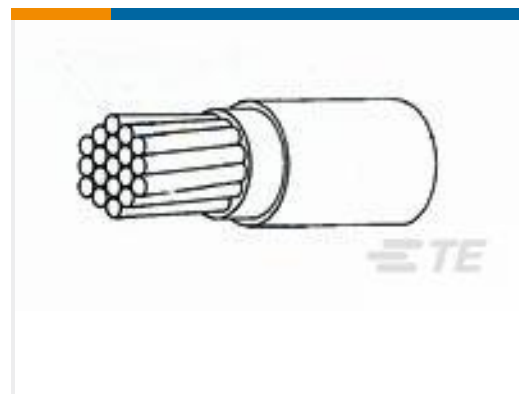
TE Part #2232331-1
RPC-M12X-FF-8CON-M16-LBU



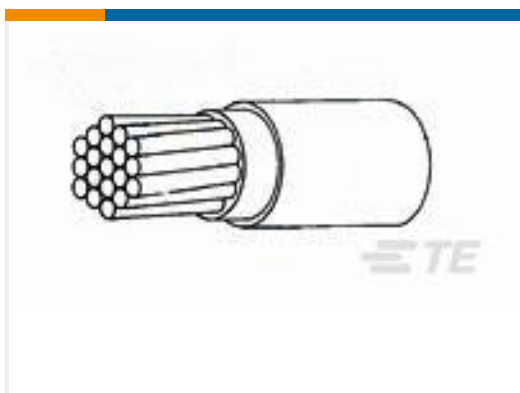
TE Part #282000-015
44A0111-16-0



TE Part #2071408-2
IHV100A5ANG



TE Part #282255-003
81044/12-12-9



TE Part #282256-004
81044/12-22-9



Documents

CAD Files

3D PDF

3D

Customer View Model

[ENG_CVM_CVM_1-1618002-2_E.2d_dxf.zip](#)

English

Customer View Model

[ENG_CVM_CVM_1-1618002-2_E.3d_igs.zip](#)

English

Customer View Model

[ENG_CVM_CVM_1-1618002-2_E.3d_stp.zip](#)

English

By downloading the CAD file I accept and agree to the [Terms and Conditions](#) of use.

Datasheets & Catalog Pages

[5-1773450-5_sec7_EV200A](#)

English