

# HMB1131K01M ✓ ACTIVE

## CII | CII HMB Relay

TE Internal #: 1-1617038-4

Half-Size Relays, 2 Form C, DPDT, 2 C/O, 26.5 VDC Input, 2 A, 26.5 VDC Coil Voltage, 700  $\Omega$  Coil Resistance, 1003 mW Coil Power (DC), CII HMB Relay

[View on TE.com >](#)



Relays, Contactors & Switches > Relays > Mil-Aero Relays > Half-Size Relays



Half-Size Relay Contact Arrangement: **2 Form C, DPDT, 2 C/O**

Half-Size Relay Input Voltage: **26.5 VDC**

Half-Size Relay Contact Current Rating: **2 A**

Half-Size Relay Coil Voltage Rating: **26.5 VDC**

Half-Size Relay Coil Resistance: **700  $\Omega$**

## Features

### Product Type Features

|                |                                     |
|----------------|-------------------------------------|
| Enclosure Type | Hermetically Sealed                 |
| Relay Type     | Military/Aerospace High Performance |
| Coil Latching  | Without                             |
| Product Type   | Relay                               |
| MOSFET Driver  | Without                             |

### Configuration Features

|                   |         |
|-------------------|---------|
| Transistor Driver | Without |
|-------------------|---------|

### Electrical Characteristics

|                                     |                           |
|-------------------------------------|---------------------------|
| Coil Magnetic System                | Non-Polarized, Monostable |
| Actuating System                    | DC                        |
| Vibration                           | 30G's, 10 – 3000Hz        |
| Shock                               | 100G's, 6ms               |
| Coil Suppression Diode              | Without                   |
| Coil Power Measurement              | Milliwatts                |
| Coil Polarity Protection Diode      | Without                   |
| Half-Size Relay Input Voltage       | 26.5 VDC                  |
| Half-Size Relay Coil Voltage Rating | 26.5 VDC                  |



|                                 |              |
|---------------------------------|--------------|
| Half-Size Relay Coil Resistance | 700 $\Omega$ |
|---------------------------------|--------------|

|  |         |
|--|---------|
| Half-Size Relay Coil Power Rating (DC) | 1003 mW |
|--|---------|

### Contact Features

|                                     |                       |
|-------------------------------------|-----------------------|
| Half-Size Relay Contact Arrangement | 2 Form C, DPDT, 2 C/O |
|-------------------------------------|-----------------------|

|  |     |
|--|-----|
| Half-Size Relay Contact Current Rating | 2 A |
|--|-----|

### Termination Features

|                  |                       |
|------------------|-----------------------|
| Termination Type | Solder Hook Terminals |
|------------------|-----------------------|

### Mechanical Attachment

|                               |             |
|-------------------------------|-------------|
| Half-Size Relay Mounting Type | Panel Mount |
|-------------------------------|-------------|

### Usage Conditions

|                             |                              |
|-----------------------------|------------------------------|
| Operating Temperature Range | -65 – 125 $^{\circ}\text{C}$ |
|-----------------------------|------------------------------|

## Product Compliance

[For compliance documentation, visit the product page on TE.com>](#)

|                              |               |
|------------------------------|---------------|
| EU RoHS Directive 2011/65/EU | Not Compliant |
|------------------------------|---------------|

|                             |               |
|-----------------------------|---------------|
| EU ELV Directive 2000/53/EC | Not Compliant |
|-----------------------------|---------------|

|   |                                      |
|---|--------------------------------------|
| China RoHS 2 Directive MIIT Order No 32, 2016 | Restricted Materials Above Threshold |
|---|--------------------------------------|

|  |  |
|--|--|
| EU REACH Regulation (EC) No. 1907/2006 | Current ECHA Candidate List: JUNE 2023 (235)<br>Candidate List Declared Against: JUL 2021 (219)<br>Does not contain REACH SVHC |
|--|--|

|                 |   |
|-----------------|---|
| Halogen Content | Low Halogen - Br, Cl, F, I < 900 ppm per homogenous material. Also BFR/CFR/PVC Free |
|-----------------|---|

|                           |                               |
|---------------------------|-------------------------------|
| Solder Process Capability | Not lead free process capable |
|---------------------------|-------------------------------|

#### Product Compliance Disclaimer

This information is provided based on reasonable inquiry of our suppliers and represents our current actual knowledge based on the information they provided. This information is subject to change. The part numbers that TE has identified as EU RoHS compliant have a maximum concentration of 0.1% by weight in homogenous materials for lead, hexavalent chromium, mercury, PBB, PBDE, DBP, BBP, DEHP, DIBP, and 0.01% for cadmium, or qualify for an exemption to these limits as defined in the Annexes of Directive 2011/65/EU (RoHS2). Finished electrical and electronic equipment products will be CE marked as required by Directive 2011/65/EU. Components may not be CE marked. Additionally, the part numbers that TE has identified as EU ELV compliant have a maximum concentration of 0.1% by weight in homogenous materials for lead, hexavalent chromium, and mercury, and 0.01% for cadmium, or qualify for an exemption to these limits as defined in the Annexes of Directive 2000/53/EC (ELV). Regarding the REACH Regulation, the information TE provides on SVHC in articles for this part number is based on the latest European Chemicals Agency (ECHA) 'Guidance on requirements for substances in articles' posted at this URL: <https://echa.europa.eu/guidance-documents/guidance-on-reach>

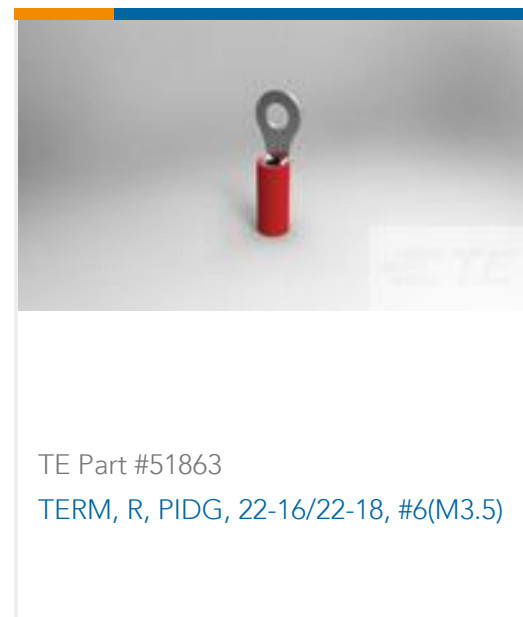
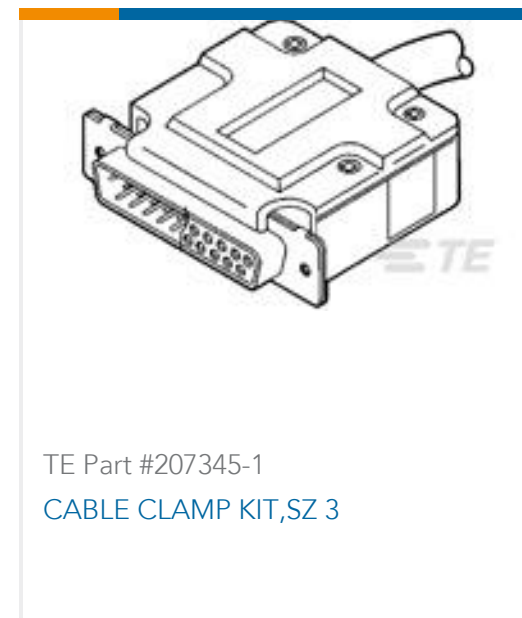
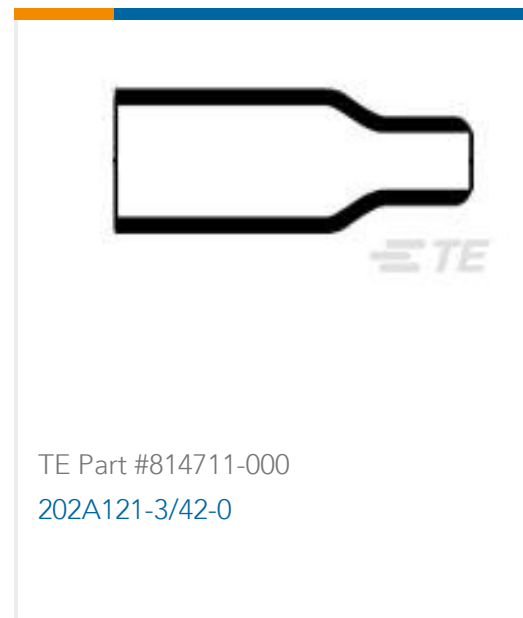
## Compatible Parts

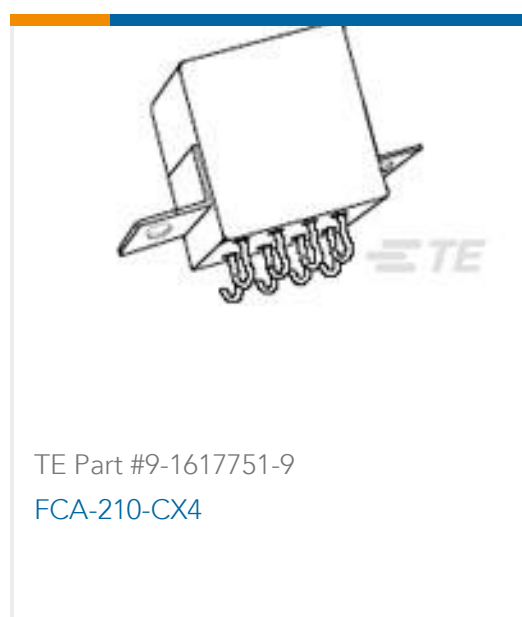


## Also in the Series | CII HMB Relay



## Customers Also Bought





## Documents

### Product Drawings

[HMB1131K01M = M39016/22-007M](#)

English

### Datasheets & Catalog Pages

[5-1773450-5\\_sec1\\_HFW](#)

English

**RELAY**

English