



CGS | CGS BDS

TE Internal #: 1-1614770-8

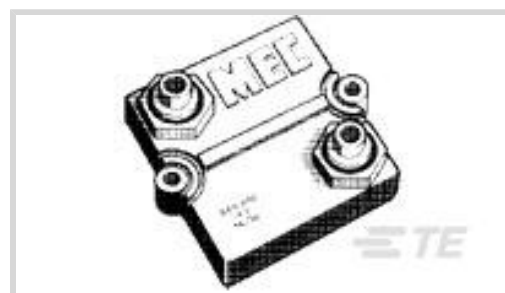
2.2 Ω , Thick Film, Power Resistor, 67 x 60.25 x 36 mm, 2

Termination, Loose Piece - Tray, 10 %, 250 W, ± 150 ppm/ $^{\circ}\text{C}$, CGS

BDS

[View on TE.com >](#)

Passive Components > Resistors > Chassis Mount Resistors > Resistor Power BDS2A250



Resistor Type: **Power Resistor**

Passive Component Dimensions: **67 x 60.25 x 36 mm**

Number of Terminations: **2**

Packaging Method: **Loose Piece - Tray**

Passive Component Tolerance: **10 %**

[All Resistor Power BDS2A250 \(28\)](#)

Features

Product Type Features

Resistor Type	Power Resistor
Element Type	Thick Film

Configuration Features

Number of Resistors	1
---------------------	---

Electrical Characteristics

Passive Component Tolerance	10 %
Resistance Class	Up to 1k Ω
Resistance Value	2.2 Ω
Power Rating	250 W

Termination Features

Number of Terminations	2
Chassis Mount Resistor Termination Type	Screw Terminals

Mechanical Attachment

Chassis Mount Resistor Mount Style	Chassis Mount
------------------------------------	---------------

Dimensions

Passive Component Dimensions	67 x 60.25 x 36 mm
------------------------------	--------------------



Usage Conditions

Operating Temperature Range	-55 – 125 °C
Temperature Coefficient	±150 ppm/°C

Packaging Features

Packaging Method	Loose Piece - Tray
------------------	--------------------

Product Compliance

[For compliance documentation, visit the product page on TE.com>](#)

EU RoHS Directive 2011/65/EU	Not Compliant
EU ELV Directive 2000/53/EC	Not Compliant
China RoHS 2 Directive MIIT Order No 32, 2016	Restricted Materials Above Threshold
EU REACH Regulation (EC) No. 1907/2006	Current ECHA Candidate List: JUNE 2023 (235) Candidate List Declared Against: JUNE 2023 (235) Does not contain REACH SVHC
Halogen Content	Not Yet Reviewed for halogen content
Solder Process Capability	Not applicable for solder process capability

Product Compliance Disclaimer

This information is provided based on reasonable inquiry of our suppliers and represents our current actual knowledge based on the information they provided. This information is subject to change. The part numbers that TE has identified as EU RoHS compliant have a maximum concentration of 0.1% by weight in homogenous materials for lead, hexavalent chromium, mercury, PBB, PBDE, DBP, BBP, DEHP, DIBP, and 0.01% for cadmium, or qualify for an exemption to these limits as defined in the Annexes of Directive 2011/65/EU (RoHS2). Finished electrical and electronic equipment products will be CE marked as required by Directive 2011/65/EU. Components may not be CE marked. Additionally, the part numbers that TE has identified as EU ELV compliant have a maximum concentration of 0.1% by weight in homogenous materials for lead, hexavalent chromium, and mercury, and 0.01% for cadmium, or qualify for an exemption to these limits as defined in the Annexes of Directive 2000/53/EC (ELV). Regarding the REACH Regulation, the information TE provides on SVHC in articles for this part number is based on the latest European Chemicals Agency (ECHA) 'Guidance on requirements for substances in articles' posted at this URL: <https://echa.europa.eu/guidance-documents/guidance-on-reach>

Compatible Parts



Also in the Series | CGS BDS

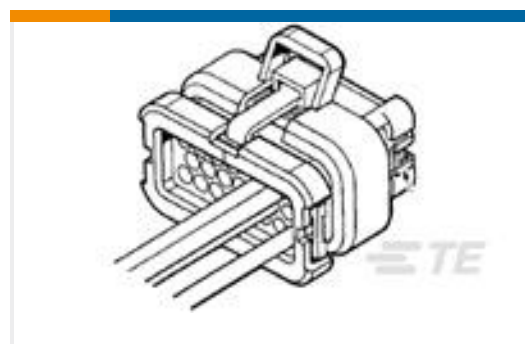


Chassis Mount Resistors(71)



Surface Mount Resistors(1)

Customers Also Bought



TE Part #776273-4
14POS, AMPSEAL, SOC HSG ASSY, SLD, COD 4



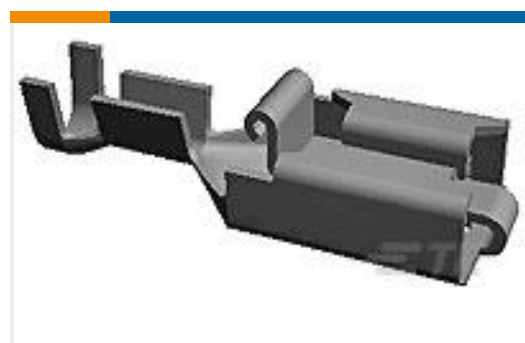
TE Part #1625984-5
HSA50 10R 5%



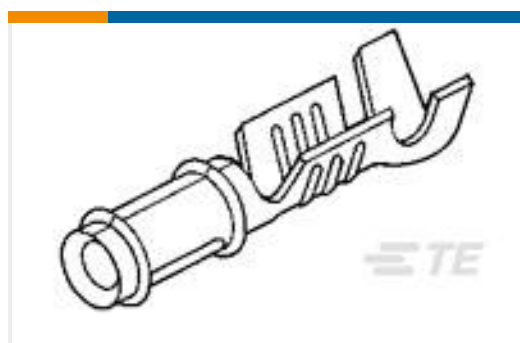
TE Part #2-1625999-6
HSC100 2R2 5%



TE Part #794805-1
4 CIR UMNL PLUG, ROUND HOLES



TE Part #737015-3
PL TERMINAL RECEPTACLE 4-6 MM2 PTPBR



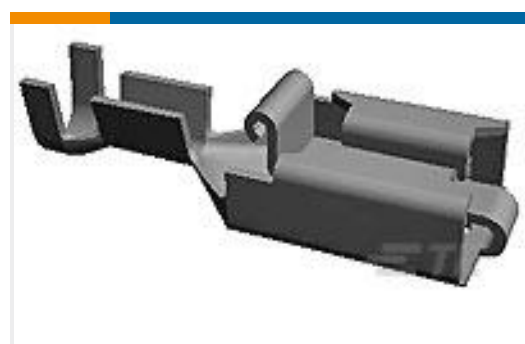
TE Part #60940-1
.058 PIN REC 24-20 010PTPPHBZ



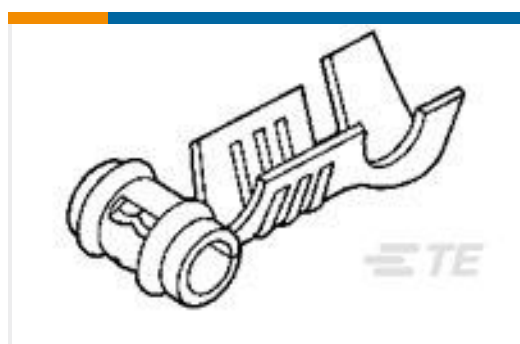
TE Part #HDP24-24-31SE
REC, 31P, BLK, E, 16, S



TE Part #1-1393304-1
V23134J1053D642-EV-CBOX



TE Part #160773-4
PL LP RECEPTACLE 0.5-1.5 MM2 TPPHBZ



TE Part #61276-2
.058 DIA RECPT LP 24-20

Documents

Product Drawings

[BDS 2 A 250 2R2 10%](#)

English

Datasheets & Catalog Pages

[4-1773460-6_RESISTIVE_SOLUTIONS_RAIL](#)

English

BDS2A2502R2K

2.2 Ω , Thick Film, Power Resistor, 67 x 60.25 x 36 mm, 2 Termination, Loose Piece -
Tray, 10 %, 250 W, ± 150 ppm/ $^{\circ}$ C, CGS BDS



[1309350_PASSIVE_COMPONENT](#)

English

[Thick Film Power Resistors - Type BDS250/400 Series](#)

English

[8-1773459-4_POWER_FILTERING_AND_RESISTIVE_SOLUTIONS_FOR_ELEVATORS_AND_ESCALATORS](#)

English