

1-1609112-4 ✓ ACTIVE

Corcom | Corcom C

TE Internal #: 1-1609112-4

IEC Unfiltered Inlets, 15A Current Rating, IEC 60320-1 C-14, Male Receptacle, 3/16" Faston Output, Corcom C

[View on TE.com >](#)



EMI & EMC Solutions > EMI Filters > IEC Unfiltered Inlets > IEC Unfiltered Inlets, Corcom C Series



Current Rating: 15 A

Filter Connector Type: IEC 60320-1 C-14

Filter Connector Style: Male Receptacle

Output Termination Type: 3/16" Faston

[All IEC Unfiltered Inlets, Corcom C Series \(8\)](#)

Features

Product Type Features

Filter Connector Type	IEC 60320-1 C-14
Filter Connector Style	Male Receptacle
Output Termination Type	3/16" Faston

Electrical Characteristics

Operating Voltage	250 VAC
Current Rating	15 A

Product Compliance

[For compliance documentation, visit the product page on TE.com>](#)

EU RoHS Directive 2011/65/EU	Compliant
EU ELV Directive 2000/53/EC	Compliant
China RoHS 2 Directive MIIT Order No 32, 2016	No Restricted Materials Above Threshold
EU REACH Regulation (EC) No. 1907/2006	Current ECHA Candidate List: JUNE 2023 (235)



Candidate List Declared Against: JUNE 2023 (235)
Does not contain REACH SVHC

Halogen Content	Not Low Halogen - contains Br or Cl > 900 ppm.
Solder Process Capability	Not applicable for solder process capability

Product Compliance Disclaimer

This information is provided based on reasonable inquiry of our suppliers and represents our current actual knowledge based on the information they provided. This information is subject to change. The part numbers that TE has identified as EU RoHS compliant have a maximum concentration of 0.1% by weight in homogenous materials for lead, hexavalent chromium, mercury, PBB, PBDE, DBP, BBP, DEHP, DIBP, and 0.01% for cadmium, or qualify for an exemption to these limits as defined in the Annexes of Directive 2011/65/EU (RoHS2). Finished electrical and electronic equipment products will be CE marked as required by Directive 2011/65/EU. Components may not be CE marked. Additionally, the part numbers that TE has identified as EU ELV compliant have a maximum concentration of 0.1% by weight in homogenous materials for lead, hexavalent chromium, and mercury, and 0.01% for cadmium, or qualify for an exemption to these limits as defined in the Annexes of Directive 2000/53/EC (ELV). Regarding the REACH Regulation, the information TE provides on SVHC in articles for this part number is based on the latest European Chemicals Agency (ECHA) 'Guidance on requirements for substances in articles' posted at this URL: <https://echa.europa.eu/guidance-documents/guidance-on-reach>

Compatible Parts



TE Part # CAT-C8114-102
CORCOM C SERIES MULTI-FUNCTION INLET FIL



TE Part # CAT-C8114-C101
IEC Unfiltered Inlets, Corcom C Series



TE Part # CAT-C8114-SR2
IEC Unfiltered Inlets, Corcom SR Series



TE Part # CAT-C8114-C34
CORCOM CH SERIES MULTI-FUNCTION INLET FI



TE Part # 4-1609134-7
20ESRM-3=F8277

Also in the Series | **Corcom C**



IEC Unfiltered Inlets(8)



Multi-Function Inlet Filters(8)

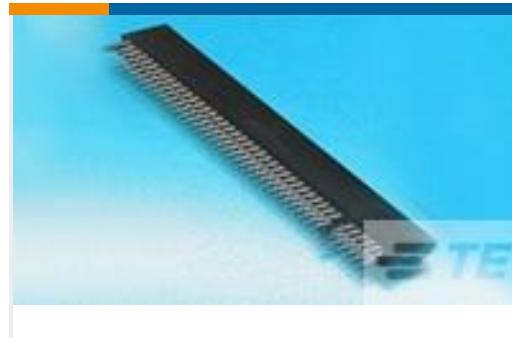
Customers Also Bought



TE Part #6609108-2
PE0S0DZ6C M0=C7019



TE Part #7-1676966-7
SMW2 150R 5%



TE Part #2-5530843-7
CONN SEC II 18 POS 100C/L



TE Part #3-643819-9
09P MTA156 CONN ASSY 22AWG RED



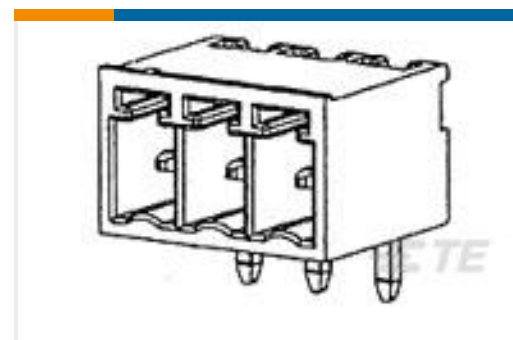
TE Part #9-1415536-4
PT381024



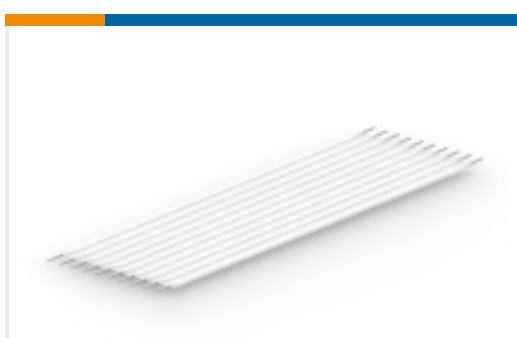
TE Part #3-1437624-1
PKD70B1/4=KNOB PLASTIC W/SKIRT



TE Part #9-2176370-8
RO 0603 4K42 0.1% 10PPM 5K RL



TE Part #284512-2
2 POS TERMI-BLOK HDR 900 POLAR



TE Part #3-1474644-1
FSN-23A-16

Documents

Product Drawings

[15CBE1=F8274](#)

English

CAD Files

[3D PDF](#)

3D

[Customer View Model](#)

[ENG_CVM_CVM_1-1609112-4_C.2d_dxf.zip](#)



English

Customer View Model

[ENG_CVM_CVM_1-1609112-4_C.3d_igs.zip](#)

English

Customer View Model

[ENG_CVM_CVM_1-1609112-4_C.3d_stp.zip](#)

English

By downloading the CAD file I accept and agree to the [Terms and Conditions](#) of use.

Datasheets & Catalog Pages

[1654001_CORCOM_PRODUCT_GUIDE](#)

English

[1654001_Corcom_Product_Guide_C_Series](#)

English

Corcom Combined Selector Charts

English

[1-1654250-1_CORCOM_EMI_RFI_QRG](#)

English

[CORCOM_C_SERIES_15AMP_POWER_ENTRY_MODULE](#)

English

Product Environmental Compliance

[TE Material Declaration](#)

English

Agency Approvals

[C Series Appliance Inlet CB Certificate](#)

English

[C Series Appliance Inlet CB Test Report](#)

English