



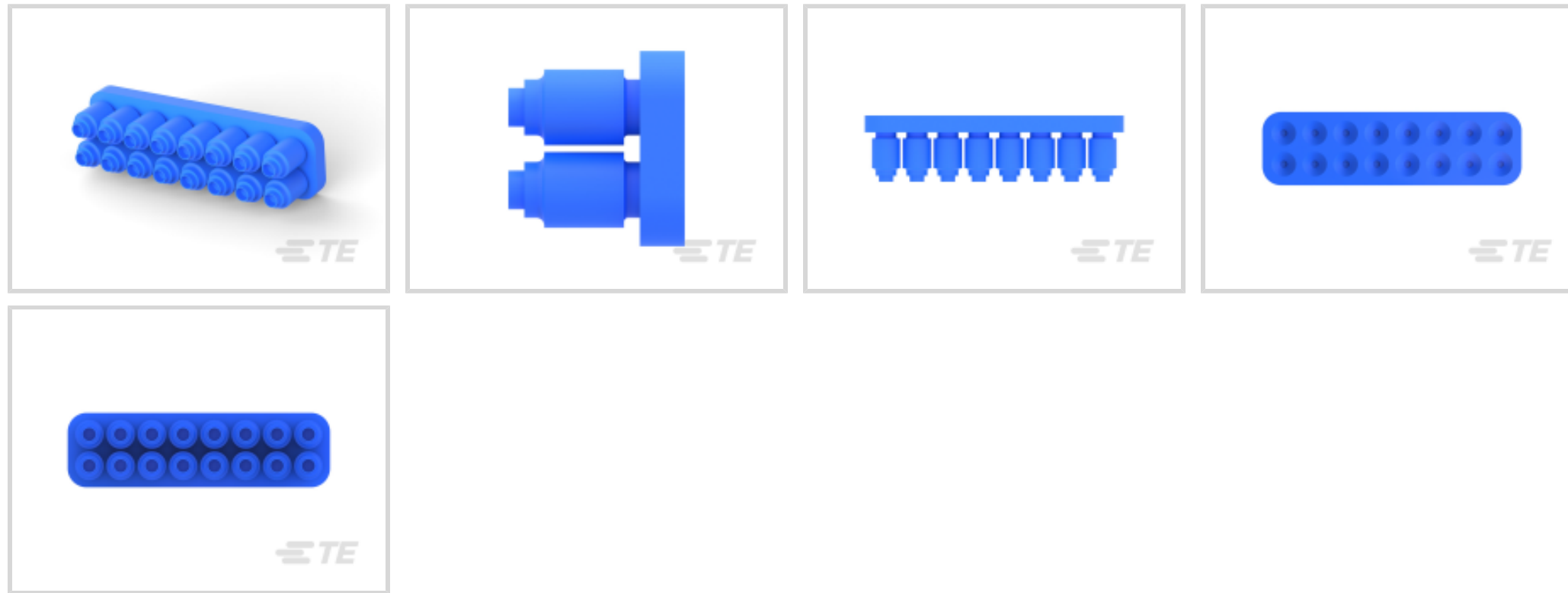
MATE-N-LOK | Mini-Universal MATE-N-LOK

TE Internal #: 1-1586359-6

Gang Wire Seal, Silicone Rubber, Blue, .05 – .083 in [1.27 – 2.11 mm] Insulation Diameter, Mini-Universal MATE-N-LOK

[View on TE.com >](#)

Connectors > Connector Accessories > Connector Seals & Cavity Plugs



Connector Seal & Plug Type: **Gang Wire Seal**

Primary Product Material: **Silicone Rubber**

Primary Product Color: **Blue**

Compatible Insulation Diameter Range: **1.27 – 2.11 mm [ .05 – .083 in ]**

Operating Temperature (Max): **90 °C [ 194 °F ]**

**Features**

**Product Type Features**

Connector Seal & Plug Type	Gang Wire Seal
----------------------------	----------------

**Body Features**

Primary Product Material	Silicone Rubber
Primary Product Color	Blue

**Dimensions**

Wire Size	.12 – .8 mm <sup>2</sup>
Compatible Insulation Diameter Range	1.27 – 2.11 mm [.05 – .083 in]

**Usage Conditions**

Operating Temperature (Max)	90 °C [194 °F]
Operating Temperature Range	-40 – 90 °C [-40 – 194 °F]

**Packaging Features**

Packaging Quantity	1200
Packaging Method	Bag

## Product Compliance

For compliance documentation, visit the product page on [TE.com](#)>

EU RoHS Directive 2011/65/EU	Compliant
EU ELV Directive 2000/53/EC	Compliant
China RoHS 2 Directive MIIT Order No 32, 2016	No Restricted Materials Above Threshold
EU REACH Regulation (EC) No. 1907/2006	Current ECHA Candidate List: JUNE 2023 (235) Candidate List Declared Against: JUNE 2023 (235) Does not contain REACH SVHC
Halogen Content	Low Halogen - Br, Cl, F, I < 900 ppm per homogenous material. Also BFR/CFR/PVC Free
Solder Process Capability	Not applicable for solder process capability

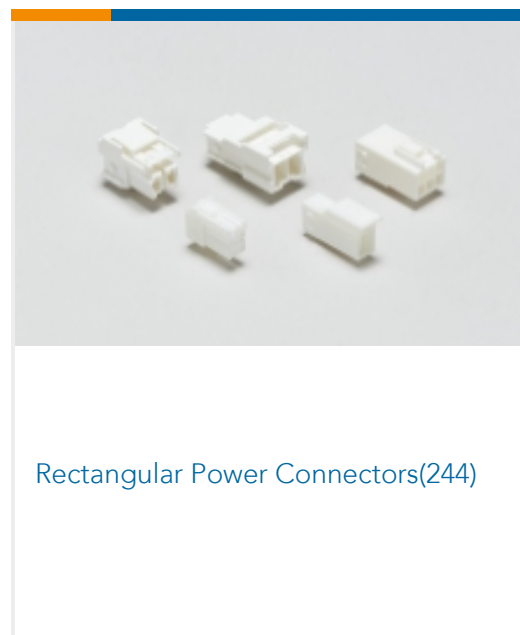
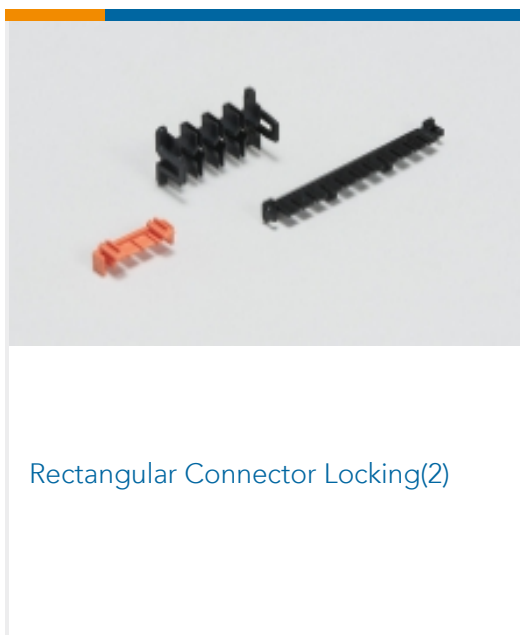
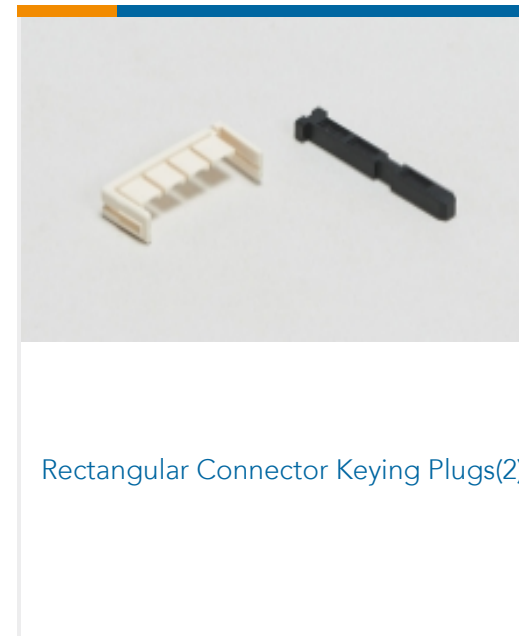
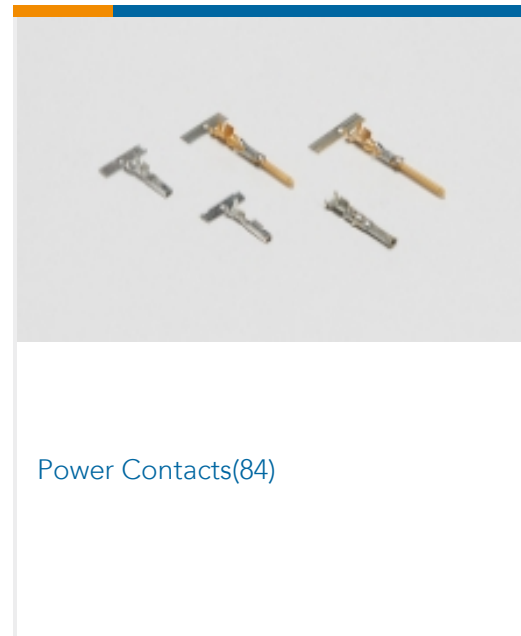
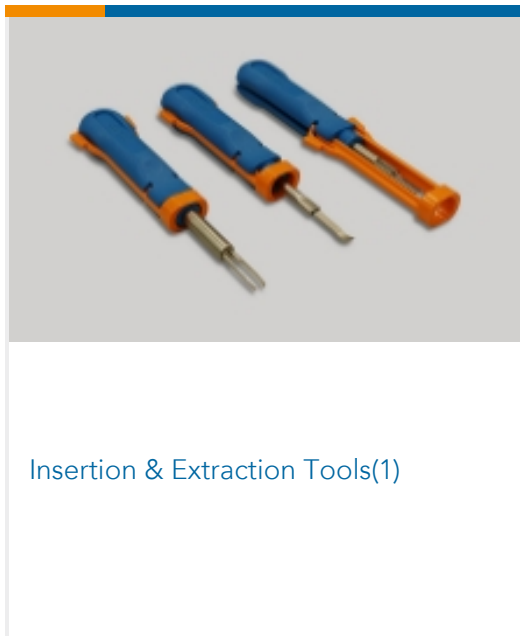
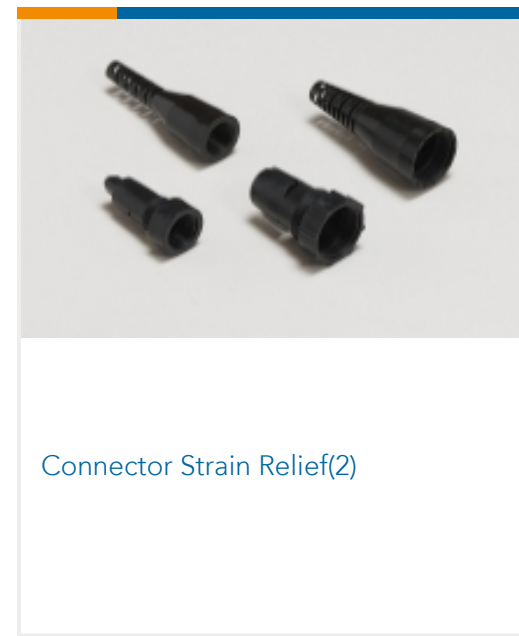
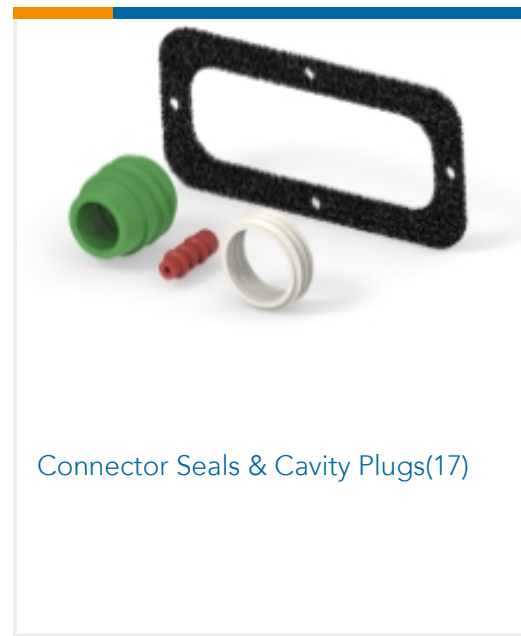
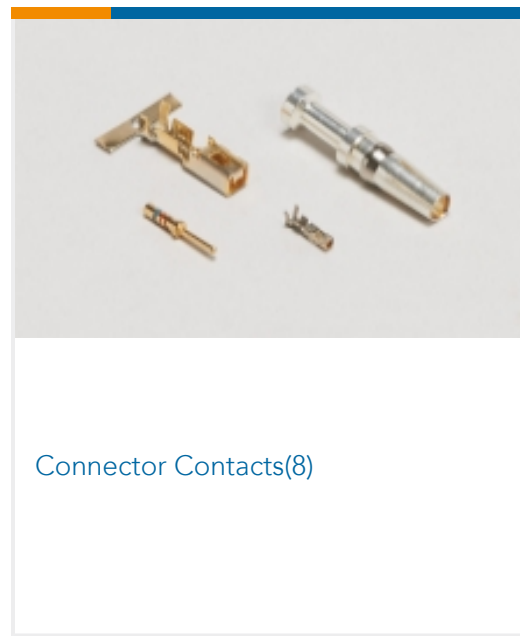
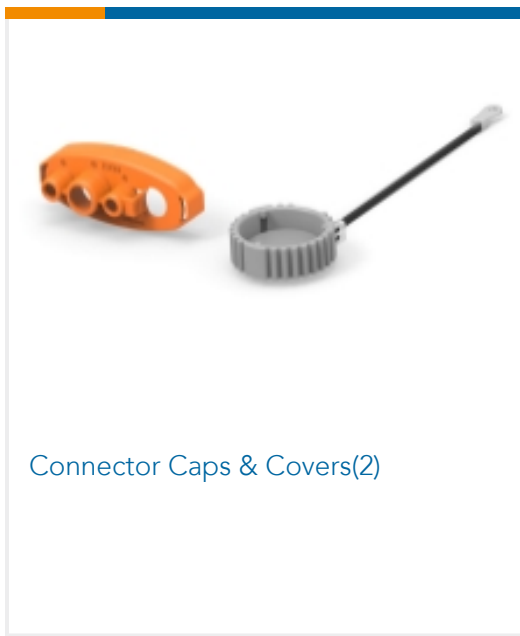
### Product Compliance Disclaimer

This information is provided based on reasonable inquiry of our suppliers and represents our current actual knowledge based on the information they provided. This information is subject to change. The part numbers that TE has identified as EU RoHS compliant have a maximum concentration of 0.1% by weight in homogenous materials for lead, hexavalent chromium, mercury, PBB, PBDE, DBP, BBP, DEHP, DIBP, and 0.01% for cadmium, or qualify for an exemption to these limits as defined in the Annexes of Directive 2011/65/EU (RoHS2). Finished electrical and electronic equipment products will be CE marked as required by Directive 2011/65/EU. Components may not be CE marked. Additionally, the part numbers that TE has identified as EU ELV compliant have a maximum concentration of 0.1% by weight in homogenous materials for lead, hexavalent chromium, and mercury, and 0.01% for cadmium, or qualify for an exemption to these limits as defined in the Annexes of Directive 2000/53/EC (ELV). Regarding the REACH Regulation, the information TE provides on SVHC in articles for this part number is based on the latest European Chemicals Agency (ECHA) 'Guidance on requirements for substances in articles' posted at this URL: <https://echa.europa.eu/guidance-documents/guidance-on-reach>

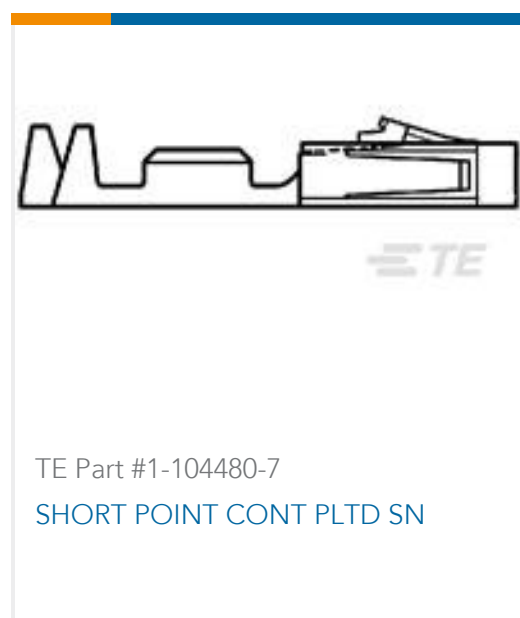
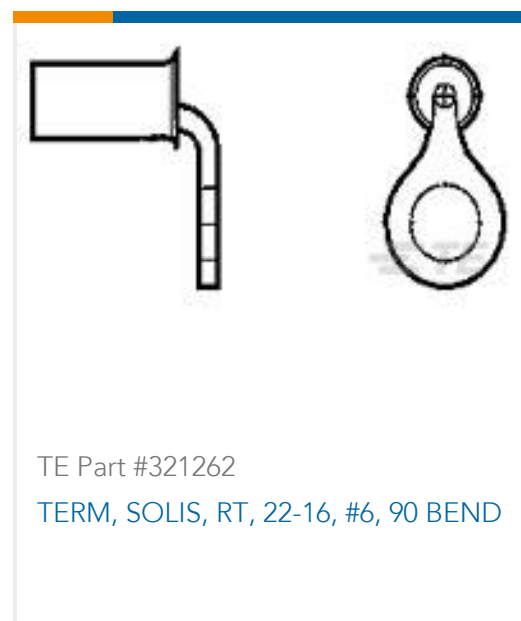
## Compatible Parts

 <p>TE Part # 1-1586362-6 16P MINI UMNL SEAL, DIE CUT</p>	 <p>TE Part # 794758-1 MINI UMNL WIRE SEAL, 18-26AWG</p>	 <p>TE Part # 794370-1 08P MINI UMNL STR RELIEF HNGD</p>	 <p>TE Part # 794824-1 16P MINI UMNL PLUG HSG</p>
--	---	---	--

Also in the Series | [Mini-Universal MATE-N-LOK](#)



### Customers Also Bought





TE Part #3325350001  
RPS-1K-22-18/2.0-S2-9

## Documents

### Product Drawings

[16P MINIUMNL GANG WIRE SEAL DR](#)

English

### CAD Files

Customer View Model

[ENG\\_CVM\\_CVM\\_1-1586359-6\\_D.2d\\_dxf.zip](#)

English

[3D PDF](#)

3D

Customer View Model

[ENG\\_CVM\\_CVM\\_1-1586359-6\\_D.3d\\_igs.zip](#)

English

Customer View Model

[ENG\\_CVM\\_CVM\\_1-1586359-6\\_D.3d\\_stp.zip](#)

English

By downloading the CAD file I accept and agree to the [Terms and Conditions](#) of use.

### Datasheets & Catalog Pages

[SOFT\\_SHELL\\_PIN\\_AND\\_SOCKET\\_CONNECTORS\\_CATALOG](#)

English

### Product Specifications

[Application Specification](#)

English

### Product Environmental Compliance

[Safety Datasheet](#)

English

### Instruction Sheets

[Instruction Sheet \(U.S.\)](#)

English