



Relays, Contactors & Switches > Switches > DIP & SIP Switches



DIP & SIP Switch Product Type: **Switch**

DIP & SIP Switch Contact Mating Area Plating Material: **Gold**

DIP & SIP Switch Housing Color: **Black**

DIP & SIP Switch Housing Material: **Polyphenylene Sulfide (PPS)**

Auto-Insertable: **No**

## Features

### Product Type Features

DIP & SIP Switch Product Type	Switch
Sealed DIP & SIP Switch	Yes
DIP & SIP Switch Type	DIP
Actuator Style	Recessed Rocker

### Configuration Features

Number of Positions	10
Number of Switches	10
Configuration (Pole-Throw)	Single Pole - Single Throw

### Electrical Characteristics

DIP & SIP Switch Voltage Rating	50 VDC
---------------------------------	--------

### Body Features

Seal Type	Tape
-----------	------

### Contact Features

Solder Tail Contact Plating	Gold over Nickel
DIP & SIP Switch Contact Mating Area Plating Material	Gold
Auto-Insertable	No
DIP & SIP Switch Contact Current Rating	.1 A
Contact Base Material	Copper Alloy



### Termination Features

Termination Style	Outside L
-------------------	-----------

### Mechanical Attachment

DIP & SIP Switch Mounting Type	Surface Mount
--------------------------------	---------------

### Housing Features

Low Profile	Yes
DIP & SIP Switch Housing Color	Black
DIP & SIP Switch Housing Material	Polyphenylene Sulfide (PPS)
DIP & SIP Switch Centerline	1.27 mm[.05 in]

### Dimensions

Length	13.82 mm[.544 in]
--------	-------------------

### Usage Conditions

Operating Temperature Range	-30 – 85 °C
-----------------------------	-------------

### Industry Standards

UL Flammability Rating	UL 94V-0
------------------------	----------

### Packaging Features

Packaging Method	Tube
Packaging Quantity	2000

### Product Compliance

[For compliance documentation, visit the product page on TE.com>](#)

EU RoHS Directive 2011/65/EU	Compliant
EU ELV Directive 2000/53/EC	Compliant
China RoHS 2 Directive MIIT Order No 32, 2016	No Restricted Materials Above Threshold
EU REACH Regulation (EC) No. 1907/2006	Current ECHA Candidate List: JUNE 2023 (235) Candidate List Declared Against: JAN 2023 (233) Does not contain REACH SVHC
Halogen Content	Low Halogen - Br, Cl, F, I < 900 ppm per homogenous material. Also BFR/CFR/PVC Free
Solder Process Capability	Reflow solder capable to 260°C

Product Compliance Disclaimer



This information is provided based on reasonable inquiry of our suppliers and represents our current actual knowledge based on the information they provided. This information is subject to change. The part numbers that TE has identified as EU RoHS compliant have a maximum concentration of 0.1% by weight in homogenous materials for lead, hexavalent chromium, mercury, PBB, PBDE, DBP, BBP, DEHP, DIBP, and 0.01% for cadmium, or qualify for an exemption to these limits as defined in the Annexes of Directive 2011/65/EU (RoHS2). Finished electrical and electronic equipment products will be CE marked as required by Directive 2011/65/EU. Components may not be CE marked. Additionally, the part numbers that TE has identified as EU ELV compliant have a maximum concentration of 0.1% by weight in homogenous materials for lead, hexavalent chromium, and mercury, and 0.01% for cadmium, or qualify for an exemption to these limits as defined in the Annexes of Directive 2000/53/EC (ELV). Regarding the REACH Regulation, the information TE provides on SVHC in articles for this part number is based on the latest European Chemicals Agency (ECHA) 'Guidance on requirements for substances in articles' posted at this URL: <https://echa.europa.eu/guidance-documents/guidance-on-reach>

## Compatible Parts



TE Part # 1571983-5  
GDH04STR04=DIP SWITCH



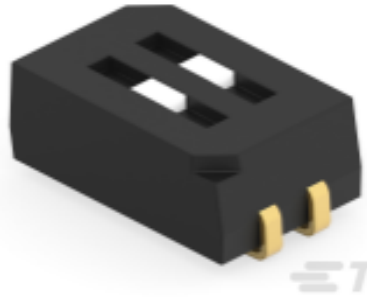
TE Part # 1-1571983-1  
GDH08STR04=DIP SWITCH



TE Part # 1571983-4  
GDH04S04=DIP SWITCH



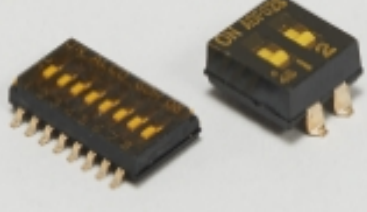
TE Part # 1977830-4  
DIP SWITCH GDH08SA04




TE Part # 1977830-1  
DIP SWITCH GDH02SA04

TE Part # 1-1571983-6  
GDH10STRNTS04=DIP SWITCH

## Also in the Series | Alcoswitch DIP



DIP & SIP Switches(241)



Rotary Switches(16)

## Also in the Series | Alcoswitch DIP GDH



DIP &amp; SIP Switches(22)

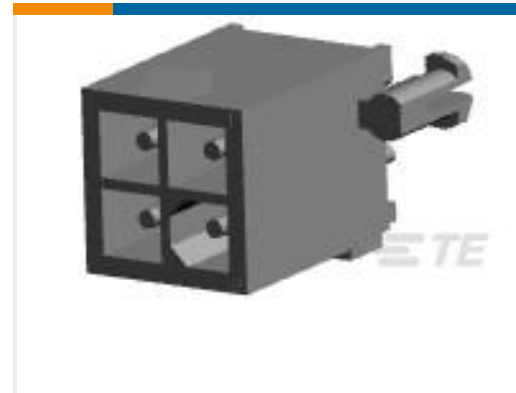
## Customers Also Bought



TE Part #2-917542-2  
Header Assembly: Wire-to-Board, 20-45A, 250-630V



TE Part #5207952-1  
KIT SCREWLOCK FEMALE



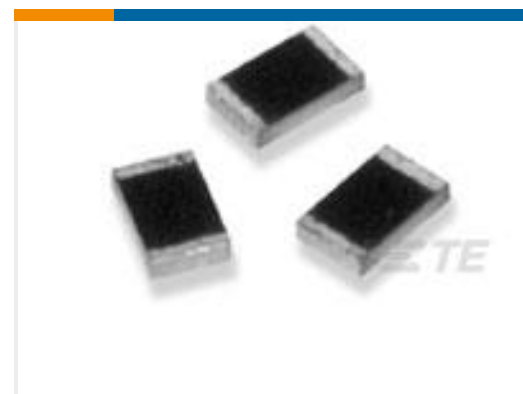
TE Part #1-770174-0  
04P MINI-UMNL ASSY V0 SNNI\*



TE Part #5104338-7  
A/L LOW PRO HDR 34P VERT HT



TE Part #2029104-4  
4P MICRO MNL HDR ASY SR SIDE N



TE Part #5-1879267-0  
RP 2B 1M0 0.1% 15PPM 1K RL



TE Part #6437288-6  
26POS,AMP SUPERSEAL 1.0MM,PIN HSG ASSY

## Documents

### CAD Files

#### 3D PDF

English

#### Customer View Model

[ENG\\_CVM\\_1-1571983-4\\_B.2d\\_dxf.zip](#)

English

#### Customer View Model

[ENG\\_CVM\\_1-1571983-4\\_B.3d\\_igs.zip](#)

English

#### Customer View Model

[ENG\\_CVM\\_1-1571983-4\\_B.3d\\_stp.zip](#)

English

#### Customer View Model

[ENG\\_CVM\\_CVM\\_1-1571983-4\\_C.3d\\_igs.zip](#)

English

#### Customer View Model



[ENG\\_CVM\\_CVM\\_1-1571983-4\\_C.3d\\_stp.zip](#)

English

**Customer View Model**

[ENG\\_CVM\\_CVM\\_1-1571983-4\\_C.2d\\_dxf.zip](#)

English

**3D PDF**

3D

By downloading the CAD file I accept and agree to the [Terms and Conditions](#) of use.

---

**Datasheets & Catalog Pages**

[SWITCHES\\_CORE\\_PROGRAM\\_CATALOG](#)

English

---

**Product Environmental Compliance**

[Product Compliance](#)

English

[Product Compliance](#)

English