

1-1478916-0 ✓ ACTIVE



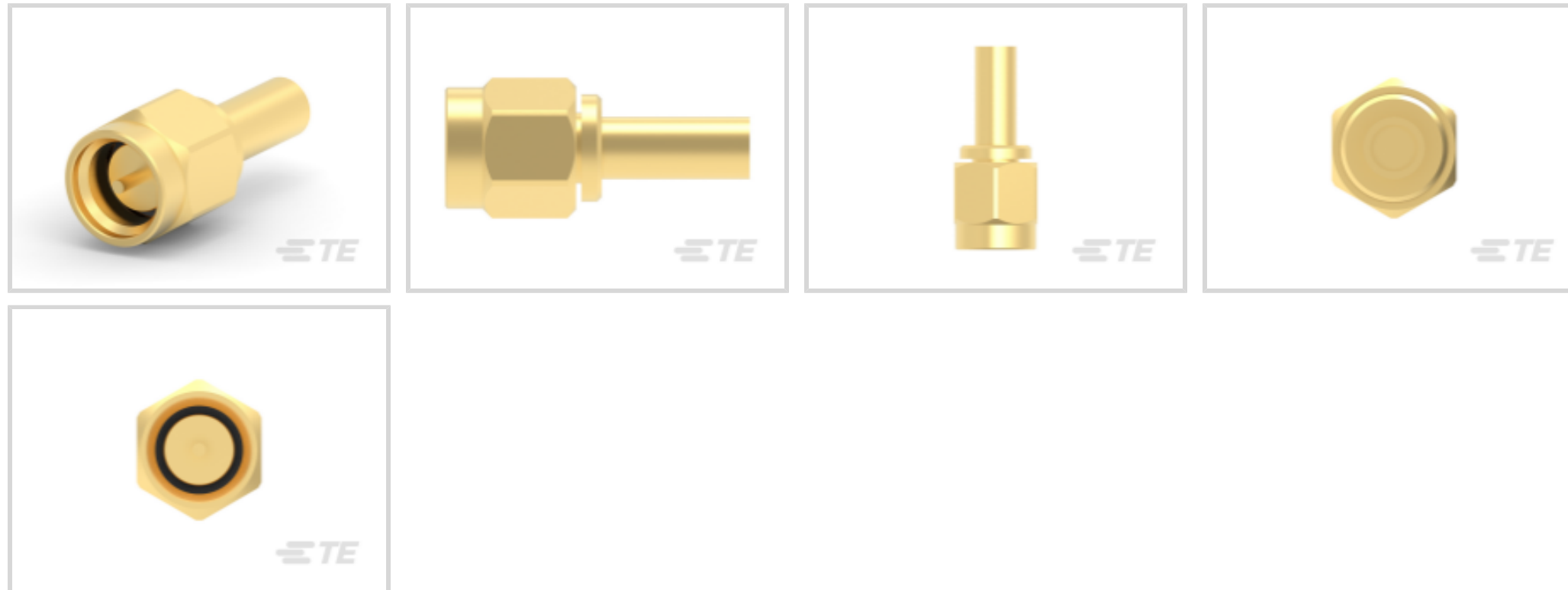
AMP SMA

TE Internal #: 1-1478916-0

SMA RF Interface, Plug, 50 Ω , KX 3B / KX 22A, Threaded, 26 GHz Operating Frequency, Cable-to-Cable, 1 Position, Sealable, Wire & Cable, AMP SMA

[View on TE.com >](#)

Connectors > RF Connectors > Coax Connectors



RF Interface: **SMA**

RF Connector Style: **Plug**

RF Connector Mated Outer Diameter (Approximate): **6.35 mm [.25 in]**

Impedance: **50 Ω**

Compatible With RF Cable Type: **KX 22A, KX 3B**

Features

Product Type Features

Connector Product Type	Connector Assembly
Connector Seal & Plug Type	Gasket
RF Interface	SMA
RF Connector Style	Plug
Compatible With RF Cable Type	KX 22A, KX 3B
Connector System	Cable-to-Cable
Sealable	Yes
Connector & Contact Terminates To	Wire & Cable

Configuration Features

Number of Positions	1
Number of Coaxial Contacts	1

Electrical Characteristics

Impedance	50 Ω
-----------	-------------

Body Features



Cable Connector Orientation	Straight
Body Material	Stainless Steel
Body Material Finish	Plated
Body Plating Material	Gold

Contact Features

RF Connector Center Contact Underplating Material	Copper
RF Connector Contact Configuration	Not Captivated
Ferrule Plating Material	Gold
Crimp Type	Hex
Ferrule Material	Brass
RF Connector Center Contact Plating Material	Gold
RF Connector Center Contact Material	Brass

Termination Features

Termination Method to Wire & Cable	Crimp
------------------------------------	-------

Mechanical Attachment

RF Connector Coupling Mechanism	Threaded
RF Contact Captivation Method	Mechanical
Detent	Without

Dimensions

Product Length	15.05 mm[.593 in]
RF Connector Mated Outer Diameter (Approximate)	6.35 mm[.25 in]

Usage Conditions

Operating Temperature Range	-65 – 165 °C[-85 – 329 °F]
-----------------------------	----------------------------

Operation/Application

Operating Frequency	26 GHz
---------------------	--------

Packaging Features

Packaging Quantity	100
Packaging Method	Bag

Other

Coupling Nut Plating Material	Gold
Coupling Nut Base Material	Stainless Steel



Gasket Material	Silicone Rubber
Grade	Professional
Dielectric Material	PTFE

Product Compliance

[For compliance documentation, visit the product page on TE.com>](#)

EU RoHS Directive 2011/65/EU	Compliant with Exemptions
EU ELV Directive 2000/53/EC	Compliant with Exemptions
China RoHS 2 Directive MIIT Order No 32, 2016	Restricted Materials Above Threshold
EU REACH Regulation (EC) No. 1907/2006	<p>Current ECHA Candidate List: JUNE 2023 (235)</p> <p>Candidate List Declared Against: JUNE 2023 (235)</p> <p>SVHC > Threshold:</p> <p>Pb (3.15% in Component Part)</p> <p>Article Safe Usage Statements: Do not eat, drink or smoke when using this product. Wash thoroughly after handling. Recycle if possible and dispose of the article by following all applicable governmental regulations relevant to your geographic location.</p>
Halogen Content	Low Bromine/Chlorine - Br and Cl < 900 ppm per homogenous material. Also BFR /CFR/PVC Free
Solder Process Capability	Not applicable for solder process capability

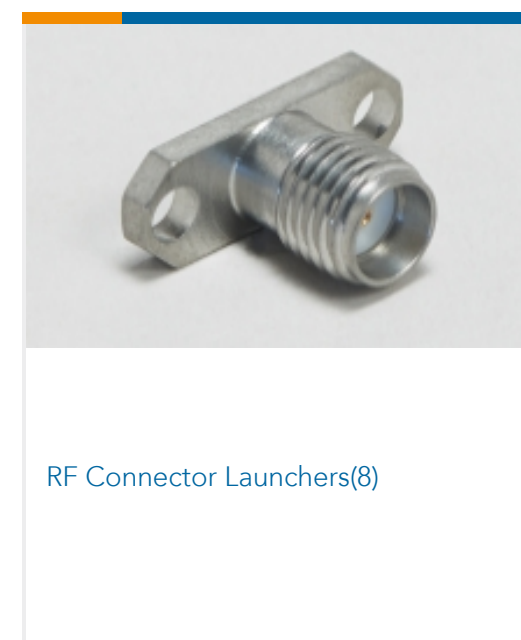
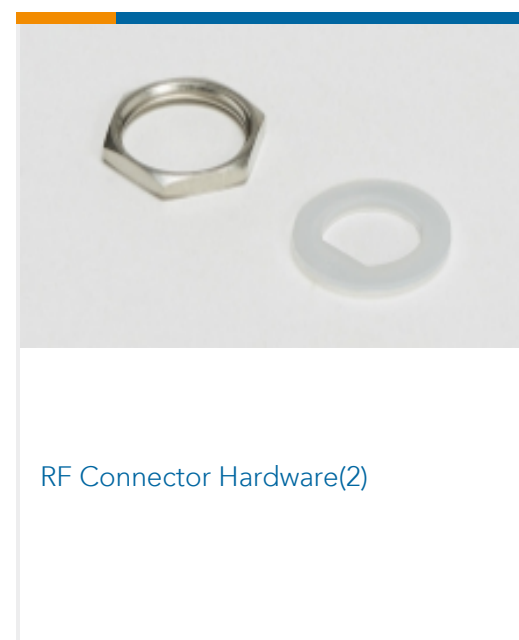
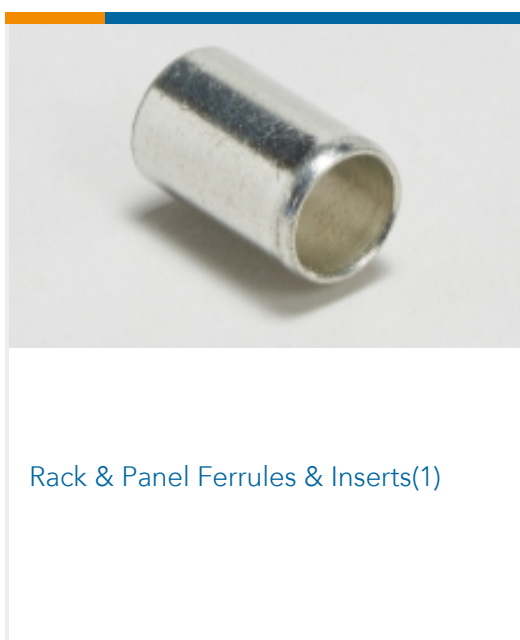
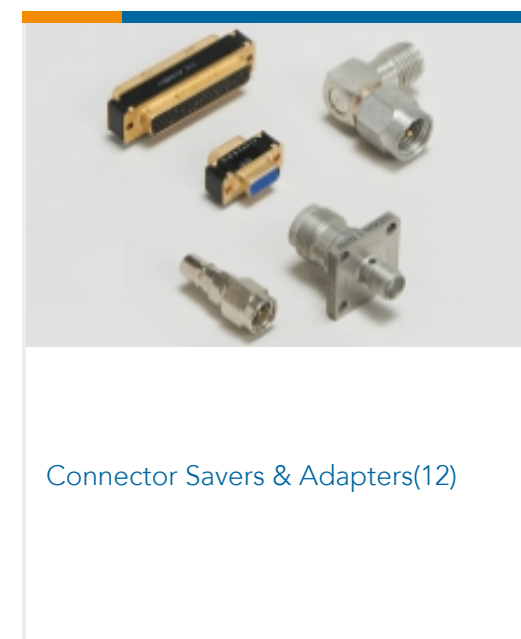
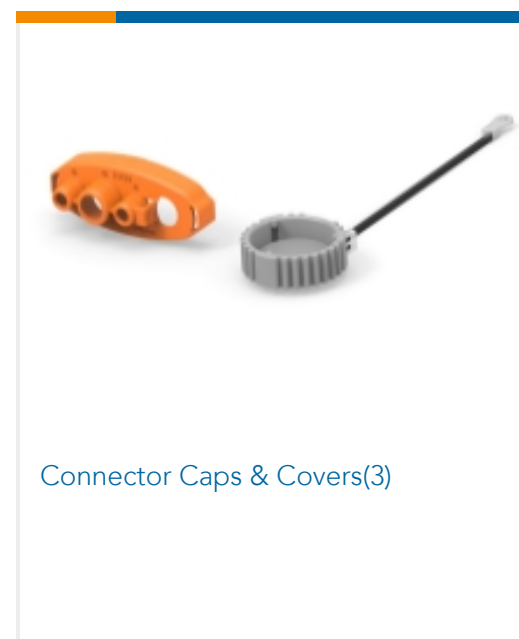
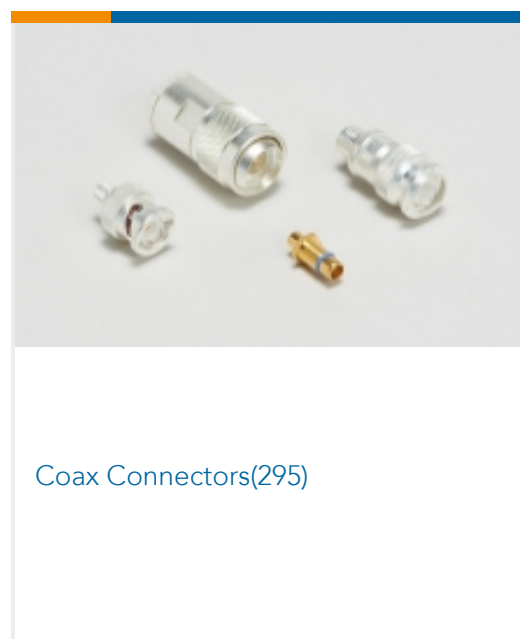
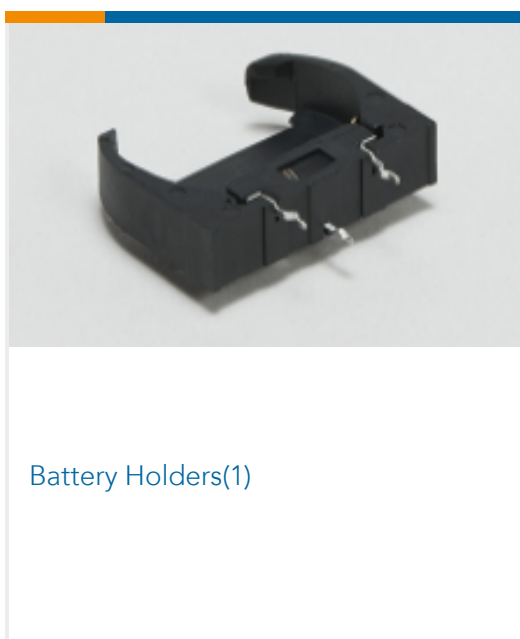
Product Compliance Disclaimer

This information is provided based on reasonable inquiry of our suppliers and represents our current actual knowledge based on the information they provided. This information is subject to change. The part numbers that TE has identified as EU RoHS compliant have a maximum concentration of 0.1% by weight in homogenous materials for lead, hexavalent chromium, mercury, PBB, PBDE, DBP, BBP, DEHP, DIBP, and 0.01% for cadmium, or qualify for an exemption to these limits as defined in the Annexes of Directive 2011/65/EU (RoHS2). Finished electrical and electronic equipment products will be CE marked as required by Directive 2011/65/EU. Components may not be CE marked. Additionally, the part numbers that TE has identified as EU ELV compliant have a maximum concentration of 0.1% by weight in homogenous materials for lead, hexavalent chromium, and mercury, and 0.01% for cadmium, or qualify for an exemption to these limits as defined in the Annexes of Directive 2000/53/EC (ELV). Regarding the REACH Regulation, the information TE provides on SVHC in articles for this part number is based on the latest European Chemicals Agency (ECHA) 'Guidance on requirements for substances in articles' posted at this URL: <https://echa.europa.eu/guidance-documents/guidance-on-reach>

Compatible Parts



Also in the Series | AMP SMA



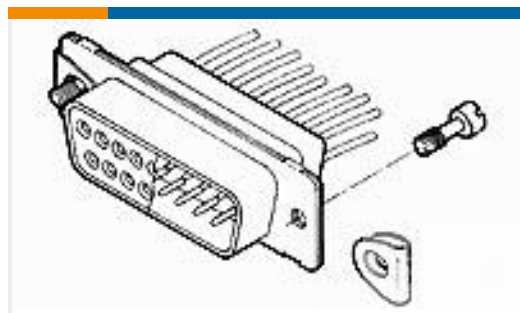


RF Terminators(1)

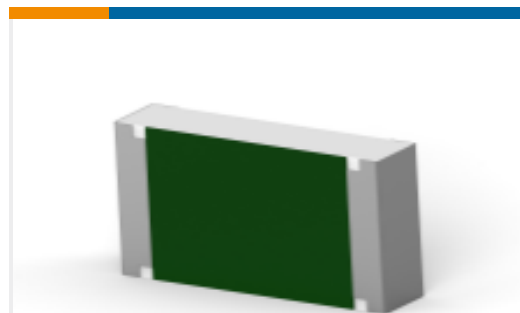
Customers Also Bought



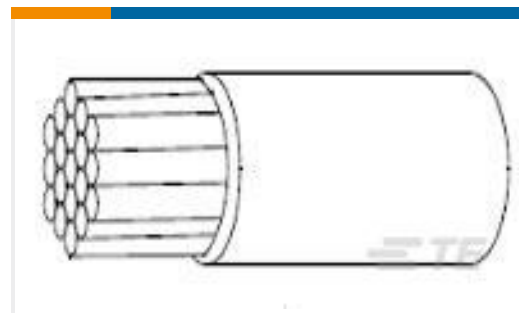
TE Part #T4112012041-000
M12 F, 4P GOLD A_CODE RA SHIELDED PG9



TE Part #748274-2
SCREW RETAINER CLIP,AMPLIMITE



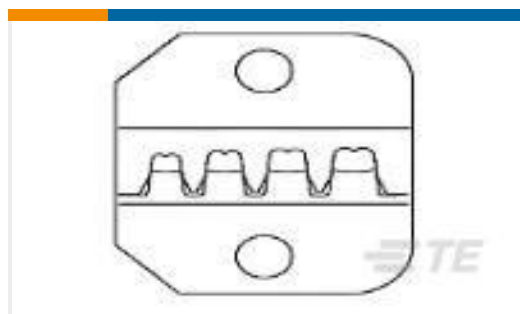
TE Part #1-2176398-4
3502 47K 1%



TE Part #216247-000
55A0111-18-0



TE Part #2525596019
RBKILS Heat shrink Tubing



TE Part #58425-2
DIE,COAX 128/178X042 SQ IS9657



TE Part #1622363-5
LR1 1% 1K78



TE Part #2-1879026-6
YR1 0.1% 17R8



TE Part #6-928918-3
MQS0,63 Ag tab LL unseal. 0,2-0,35

Documents

Product Drawings

[SMA STR PLG C/CRMP RG174 GSS](#)

English

CAD Files

[3D PDF](#)

3D

Customer View Model

[ENG_CVM_CVM_1-1478916-0_A.2d_dxf.zip](#)

1-1478916-0

SMA RF Interface, Plug, 50 Ω , KX 3B / KX 22A, Threaded, 26 GHz Operating Frequency, Cable-to-Cable, 1 Position, Sealable, Wire & Cable, AMP SMA



English

Customer View Model

[ENG_CVM_CVM_1-1478916-0_A.3d_igs.zip](#)

English

Customer View Model

[ENG_CVM_CVM_1-1478916-0_A.3d_stp.zip](#)

English

By downloading the CAD file I accept and agree to the [Terms and Conditions](#) of use.

Datasheets & Catalog Pages

[1-1773725-8_RF_COAX_QRG](#)

English

Product Specifications

[Product Specification](#)

English