

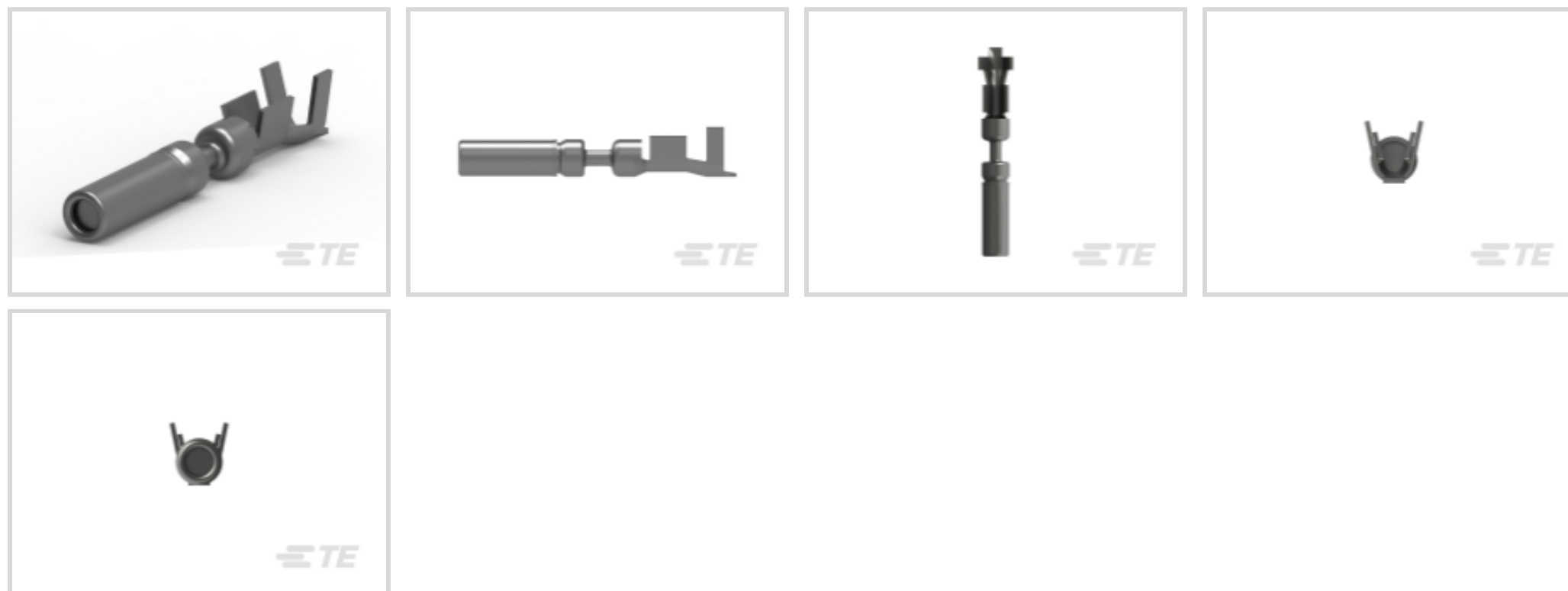


TE Internal #: 1-1437709-5

Automotive Terminals, Socket, Pin Diameter 1.54 mm [.061 in], 20 – 17 AWG Wire Size, .5 – 1 mm² Wire Size, Sealable, Single Wire Seal (SWS)

[View on TE.com >](#)

Terminals & Splices > Automotive Terminals



Terminal Type: **Socket**

Mating Pin Diameter: **1.54 mm [.061 in]**

Terminal Transmits: **0 – 24 A (Low Power)**

Wire Size: **.5 – 1 mm²**

Features

Product Type Features

| | |
|-------------------------|------------|
| Receptacle Style | 180° |
| Sealable | Yes |
| Primary Locking Feature | Clean Body |

Body Features

| | |
|--------------------|------------------------|
| Terminal Seal Type | Single Wire Seal (SWS) |
|--------------------|------------------------|

Contact Features

| | |
|--|-------------------|
| Contact Size | 1.6mm |
| Contact Fabrication | Stamped & Formed |
| Wire Contact Termination Area Plating Material | Tin |
| Crimp Type | F-Crimp |
| Terminal Type | Socket |
| Mating Pin Diameter | 1.54 mm [.061 in] |
| Interface Plating | Tin (Sn) |

Termination Features

| | |
|------------------------------------|-------|
| Termination Method to Wire & Cable | Crimp |
|------------------------------------|-------|



Product Terminates To

Wire

Dimensions

Compatible Insulation Diameter Range

1.15 – 1.4 mm [.045 – .055 in]

Wire Size

.5 – 1 mm²

Wire Size Search

17 AWG, 18 AWG, 19 AWG, 20 AWG

Usage Conditions

Insulation Option

Uninsulated

Operating Temperature (Max)

80 °C, 85 °C, 90 °C, 100 °C, 105 °C, 110 °C, 120 °C, 125 °C, 130 °C [176 °F][185 °F][194 °F][212 °F][221 °F][230 °F][248 °F][257 °F][266 °F]

Operating Temperature Range

-40 – 130 °C [-40 – 266 °F]

Operation/Application

Compatible With Wire Base Material

Copper

Packaging Features

Packaging Quantity

5000

Packaging Method

Reel

Other

Customer Preferred Contact

No

Terminal Transmits

0 – 24 A (Low Power)

Product Compliance

[For compliance documentation, visit the product page on TE.com>](#)

EU RoHS Directive 2011/65/EU

Compliant

EU ELV Directive 2000/53/EC

Compliant

China RoHS 2 Directive MIIT Order No 32, 2016

No Restricted Materials Above Threshold

EU REACH Regulation (EC) No. 1907/2006

Current ECHA Candidate List: JUNE 2023 (235)
 Candidate List Declared Against: JUL 2021 (219)
 Does not contain REACH SVHC

Halogen Content

Low Halogen - Br, Cl, F, I < 900 ppm per homogenous material. Also BFR/CFR/PVC Free

Solder Process Capability

Not reviewed for solder process capability

Product Compliance Disclaimer

This information is provided based on reasonable inquiry of our suppliers and represents our current actual knowledge based on the information they provided. This information is subject to change. The part numbers that TE has identified as EU RoHS compliant have a maximum concentration of 0.1% by weight in homogenous materials for lead, hexavalent chromium, mercury, PBB, PBDE, DBP, BBP, DEHP, DIBP, and 0.01% for cadmium, or qualify for an exemption to these limits as defined in the Annexes of Directive 2011/65/EU (RoHS2). Finished electrical and electronic equipment products will be CE marked as required by Directive 2011/65/EU. Components may not be CE marked. Additionally, the part numbers that TE has identified as EU ELV compliant have a maximum concentration of 0.1% by weight in homogenous materials for lead, hexavalent chromium, and mercury, and 0.01% for cadmium, or qualify for an exemption to these limits as defined in the Annexes of Directive 2000/53/EC (ELV). Regarding the REACH Regulation, the information TE provides on SVHC in articles for this part number is based on the latest European Chemicals Agency (ECHA) 'Guidance on requirements for substances in articles' posted at this URL: <https://echa.europa.eu/guidance-documents/guidance-on-reach>

Compatible Parts



TE Part # 5-1437710-6
NP1TA-00R2XX=CONN. 2W MALE
WAT



TE Part # 2-2266037-1
OCEAN_2.0_Applicator-S-080F1200



TE Part # 2-2266037-2
OCEAN_2.0_Applicator-S-080F1200



TE Part # 2266037-1
OCEAN_2.0_Applicator-S-080F1200



TE Part # 2266037-2
OCEAN_2.0_Applicator-S-080F1200



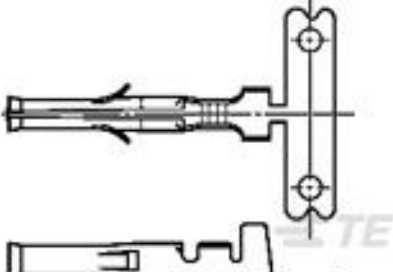
KIT
REPRESENTATION ONLY

TE Part # 7-2266037-7
OCEAN_2.0_SPARE_PART_KIT-
080F1200



TE Part # 7-1437710-9
NP1UA-0AR3XX=CONN. 3W MALE
NOW

Customers Also Bought



TE Part #350628-1
.062 COMM P&S SOK 18-24 PTPBR



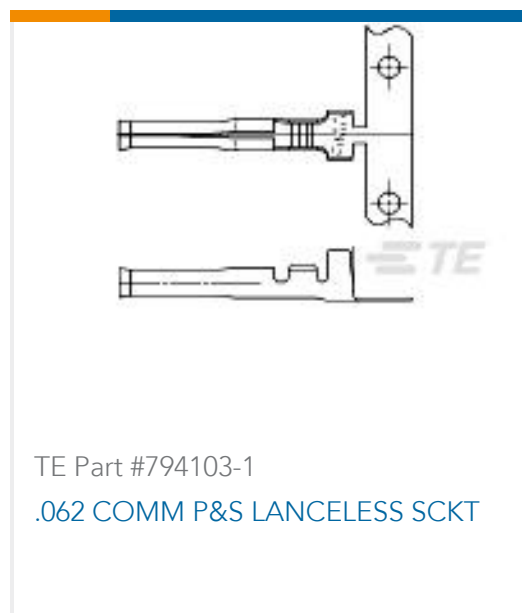
TE Part #1969877-1
187 HIGH TEMP POS LOCK HSG LCP



TE Part #5-2176369-4
RQ 0603 143R 0.1% 10PPM 5K RL



TE Part #5-2176389-8
RQ 1206 422R 0.1% 10PPM 5K RL



Documents

Product Drawings

[106017/106018=TERMINAL FEM. CR](#)

English

CAD Files

[3D PDF](#)

3D

Customer View Model

[ENG_CVM_CVM_1-1437709-5_B.2d_dxf.zip](#)

English

Customer View Model

[ENG_CVM_CVM_1-1437709-5_B.3d_igs.zip](#)

English

Customer View Model

[ENG_CVM_CVM_1-1437709-5_B.3d_stp.zip](#)

English

By downloading the CAD file I accept and agree to the [Terms and Conditions](#) of use.

Product Specifications

[Application Specification](#)

English

[APPLICATION SPECIFICATION FOR 1,6mm CIRCULAR CONTACT SYSTEM](#)

English