



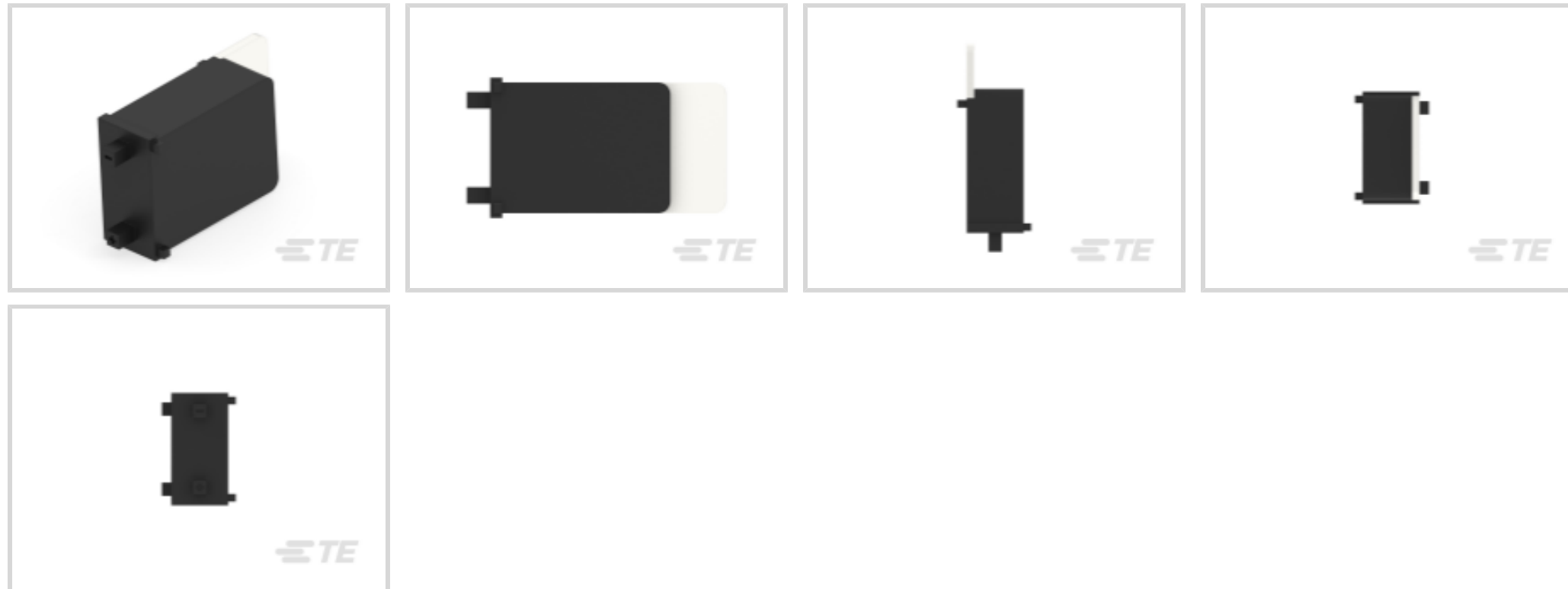
Alcoswitch

TE Internal #: 1-1437601-8

Pushwheel Switches, BCD Complement Code Type, .4 VA, 10 Position, Snap Detent, Markings 0-9, Single Pole - Single Throw Configuration (Pole-Throw)

[View on TE.com >](#)

Relays, Contactors & Switches > Switches > Pushwheel Switches



Code Type: **BCD Complement**

Pushwheel Switch Contact Current Rating: **.4 VA**

Number of Pushwheel Switch Positions: **10**

Pushwheel Switch Mounting Type: **Snap Detent**

Repeating Readout: **Without**

Features

Product Type Features

Product Type	Switch
Code Type	BCD Complement

Configuration Features

Number of Pushwheel Switch Positions	10
Repeating Readout	Without
Configuration (Pole-Throw)	Single Pole - Single Throw

Contact Features

Contact Base Material	Copper Alloy
Pushwheel Switch Contact Current Rating	.4 VA

Termination Features

Termination Type	Card Edge Tabs
------------------	----------------

Mechanical Attachment

Pushwheel Switch Mounting Type	Snap Detent
--------------------------------	-------------



Pushwheel Switch Mounting Location Front

Identification Marking

Wheel Markings 0-9

Product Compliance

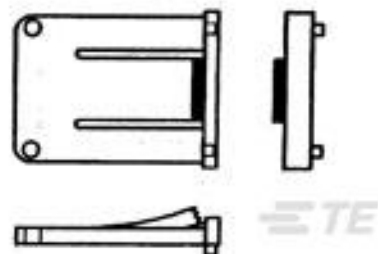
[For compliance documentation, visit the product page on TE.com>](#)

EU RoHS Directive 2011/65/EU	Compliant
EU ELV Directive 2000/53/EC	Compliant
China RoHS 2 Directive MIIT Order No 32, 2016	No Restricted Materials Above Threshold
EU REACH Regulation (EC) No. 1907/2006	Current ECHA Candidate List: JUNE 2023 (235) Candidate List Declared Against: JAN 2018 (181) Does not contain REACH SVHC
Halogen Content	Low Halogen - Br, Cl, F, I < 900 ppm per homogenous material. Also BFR/CFR/PVC Free
Solder Process Capability	Not applicable for solder process capability

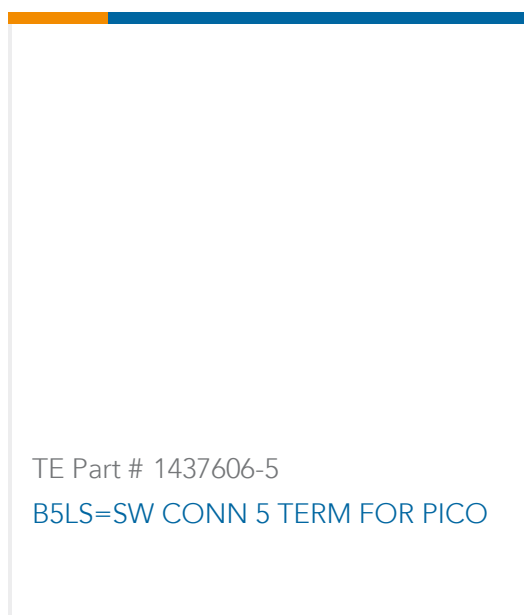
Product Compliance Disclaimer

This information is provided based on reasonable inquiry of our suppliers and represents our current actual knowledge based on the information they provided. This information is subject to change. The part numbers that TE has identified as EU RoHS compliant have a maximum concentration of 0.1% by weight in homogenous materials for lead, hexavalent chromium, mercury, PBB, PBDE, DBP, BBP, DEHP, DIBP, and 0.01% for cadmium, or qualify for an exemption to these limits as defined in the Annexes of Directive 2011/65/EU (RoHS2). Finished electrical and electronic equipment products will be CE marked as required by Directive 2011/65/EU. Components may not be CE marked. Additionally, the part numbers that TE has identified as EU ELV compliant have a maximum concentration of 0.1% by weight in homogenous materials for lead, hexavalent chromium, and mercury, and 0.01% for cadmium, or qualify for an exemption to these limits as defined in the Annexes of Directive 2000/53/EC (ELV). Regarding the REACH Regulation, the information TE provides on SVHC in articles for this part number is based on the latest European Chemicals Agency (ECHA) 'Guidance on requirements for substances in articles' posted at this URL: <https://echa.europa.eu/guidance-documents/guidance-on-reach>

Compatible Parts



TE Part # 2-1437601-7
PICOP=END PLATE PAIR SWITCH



TE Part # 1437606-5
B5LS=SW CONN 5 TERM FOR PICO



TE Part # 1571505-1
PICOD131ALULS=BCD SWITCH W/RA



TE Part # 1-1437601-9
PICOD301AK=PICO-D-301-AK-2



TE Part # 3-1437601-2
PICORD137ALULS=MINI PSHWHL
BCD

Customers Also Bought



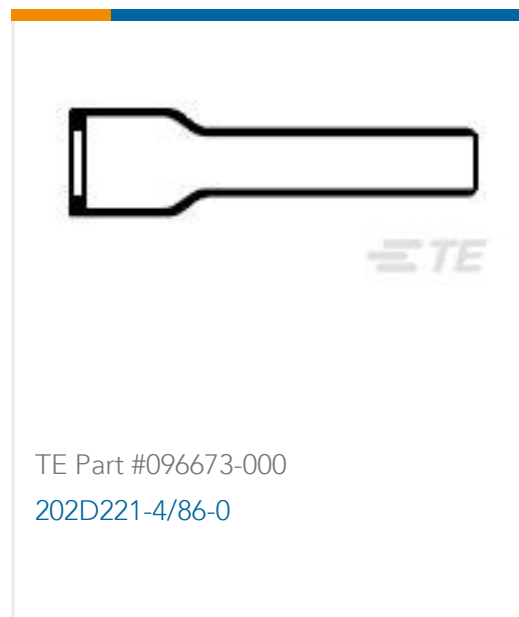
TE Part #1622349-1
LR1 1% 1K0



TE Part #770872-1
02P MINI UMNL HDR ASSY SN



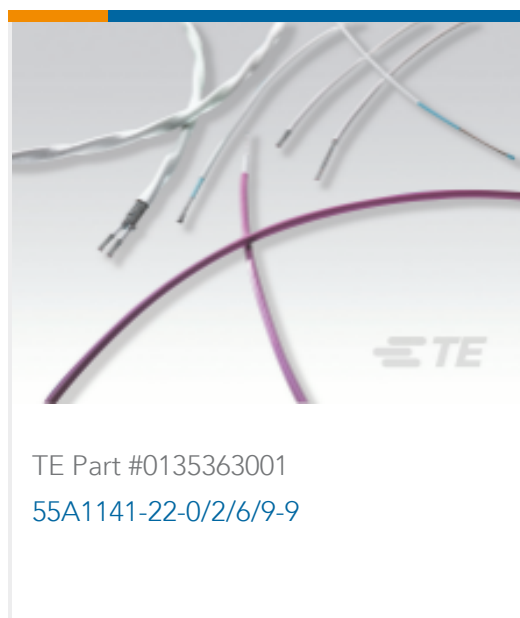
TE Part #1577960-1
TERMINAL, PEEK PIDG STRATO, 24-
22 AWG



TE Part #096673-000
202D221-4/86-0



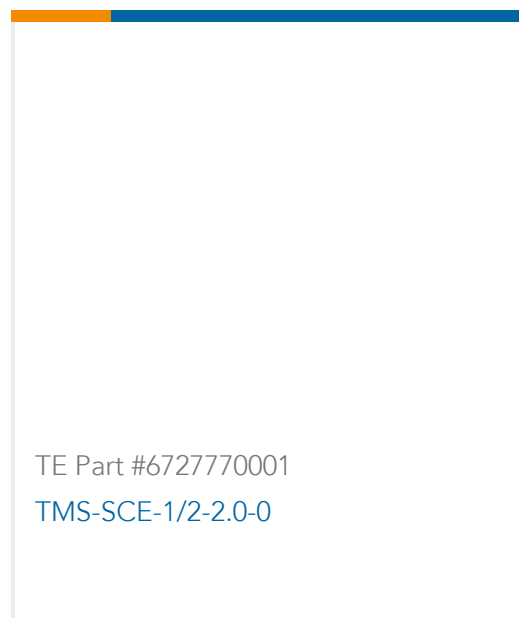
TE Part #5201976026
RT-3-NO.2-0-1IN



TE Part #0135363001
55A1141-22-0/2/6/9-9



TE Part #3516113001
55A3124-26-9/9



TE Part #6727770001
TMS-SCE-1/2-2.0-0

Documents

CAD Files

3D PDF

3D

Customer View Model

[ENG_CVM_CVM_1-1437601-8_A.2d_dxf.zip](#)

English

Customer View Model

[ENG_CVM_CVM_1-1437601-8_A.3d_igs.zip](#)

English

Customer View Model

[ENG_CVM_CVM_1-1437601-8_A.3d_stp.zip](#)

English

By downloading the CAD file I accept and agree to the [Terms and Conditions](#) of use.

Datasheets & Catalog Pages

[SWITCHES_CORE_PROGRAM_CATALOG](#)

English

1-1437601-8

Pushwheel Switches, BCD Complement Code Type, .4 VA, 10 Position, Snap Detent, Markings 0-9, Single Pole - Single Throw Configuration (Pole-Throw)

