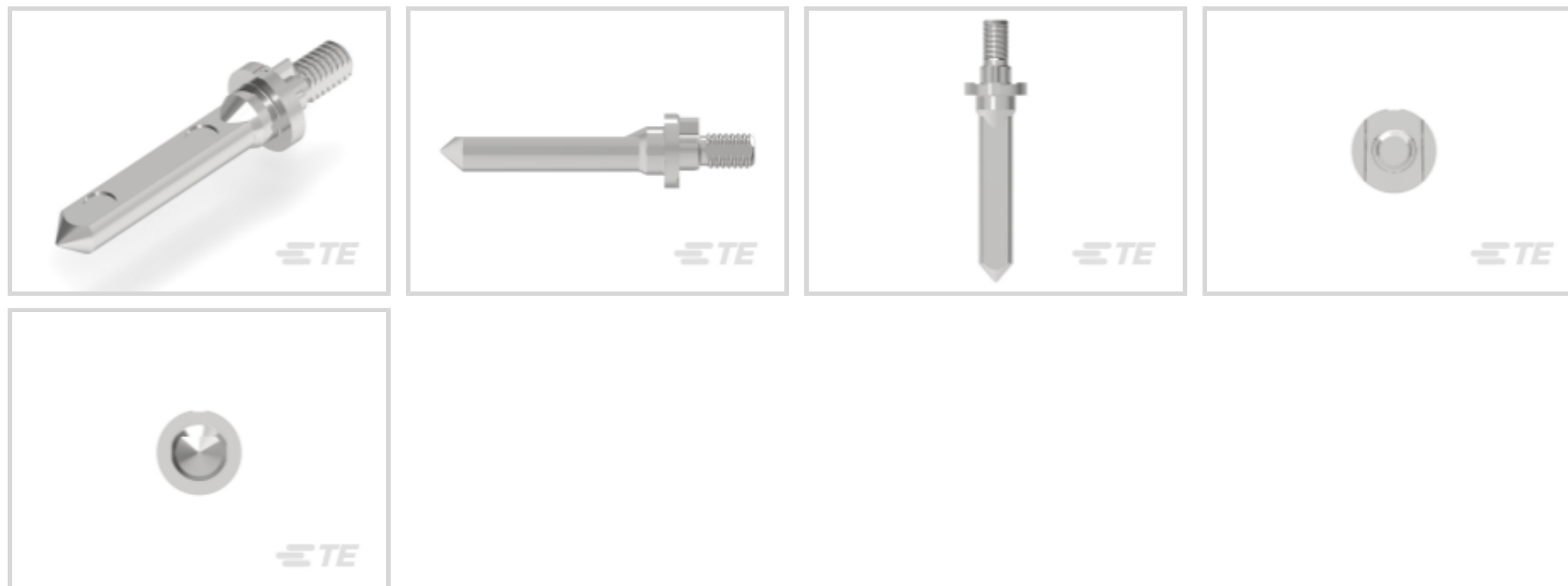




Connectors > PCB Connectors > Backplane Connectors > Backplane Guide Hardware



Connector Guide Hardware Type: **Guide Pin**

### Features

#### Product Type Features

Connector Guide Hardware Type	Guide Pin
-------------------------------	-----------

#### Configuration Features

PCB Mount Orientation	Vertical
-----------------------	----------

#### Body Features

Guide Component Plating Material	Nickel
Guide Pin Type	External Thread
Guide Component Base Material	Zinc Alloy

#### Mechanical Attachment

Mating Alignment Type	Keyed
Mating Alignment	With

#### Operation/Application

Compatible With Backplane Product Type	10.8mm Guide Module
--	---------------------

#### Packaging Features

Packaging Quantity	1
Packaging Method	Package

#### Other

Connector Accessory Comment	Keyed
-----------------------------	-------



## Product Compliance

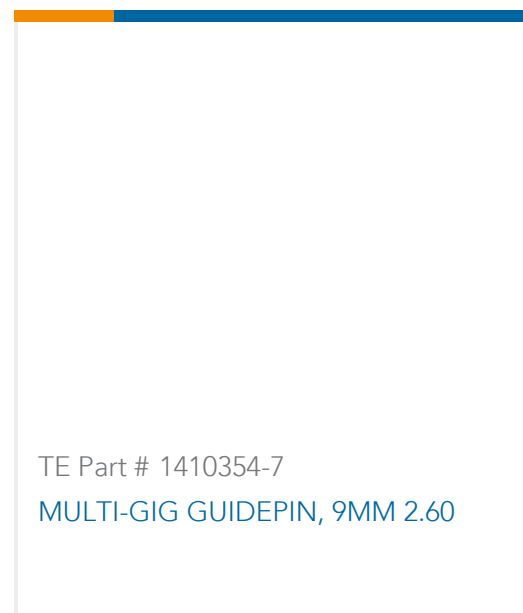
[For compliance documentation, visit the product page on TE.com>](#)

EU RoHS Directive 2011/65/EU	Compliant
EU ELV Directive 2000/53/EC	Compliant
China RoHS 2 Directive MIIT Order No 32, 2016	No Restricted Materials Above Threshold
EU REACH Regulation (EC) No. 1907/2006	Current ECHA Candidate List: JUNE 2023 (235) Candidate List Declared Against: JUNE 2023 (235) Does not contain REACH SVHC
Halogen Content	Low Halogen - Br, Cl, F, I < 900 ppm per homogenous material. Also BFR/CFR/PVC Free
Solder Process Capability	Not applicable for solder process capability

### Product Compliance Disclaimer

This information is provided based on reasonable inquiry of our suppliers and represents our current actual knowledge based on the information they provided. This information is subject to change. The part numbers that TE has identified as EU RoHS compliant have a maximum concentration of 0.1% by weight in homogenous materials for lead, hexavalent chromium, mercury, PBB, PBDE, DBP, BBP, DEHP, DIBP, and 0.01% for cadmium, or qualify for an exemption to these limits as defined in the Annexes of Directive 2011/65/EU (RoHS2). Finished electrical and electronic equipment products will be CE marked as required by Directive 2011/65/EU. Components may not be CE marked. Additionally, the part numbers that TE has identified as EU ELV compliant have a maximum concentration of 0.1% by weight in homogenous materials for lead, hexavalent chromium, and mercury, and 0.01% for cadmium, or qualify for an exemption to these limits as defined in the Annexes of Directive 2000/53/EC (ELV). Regarding the REACH Regulation, the information TE provides on SVHC in articles for this part number is based on the latest European Chemicals Agency (ECHA) 'Guidance on requirements for substances in articles' posted at this URL: <https://echa.europa.eu/guidance-documents/guidance-on-reach>

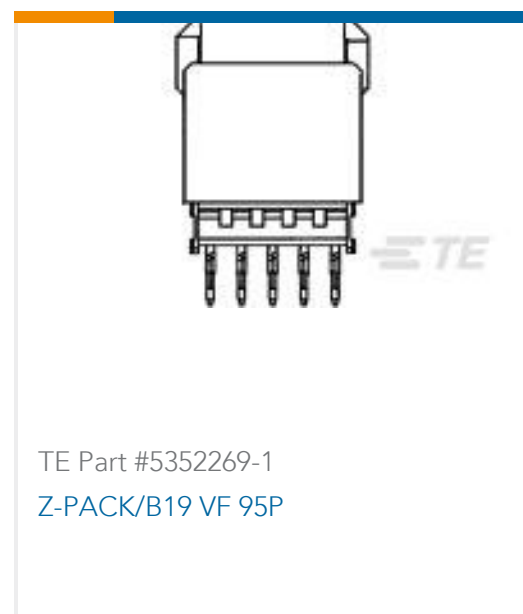
## Compatible Parts



## Customers Also Bought



TE Part #3-338309-2  
9POS.HD20 PLUG ASSY



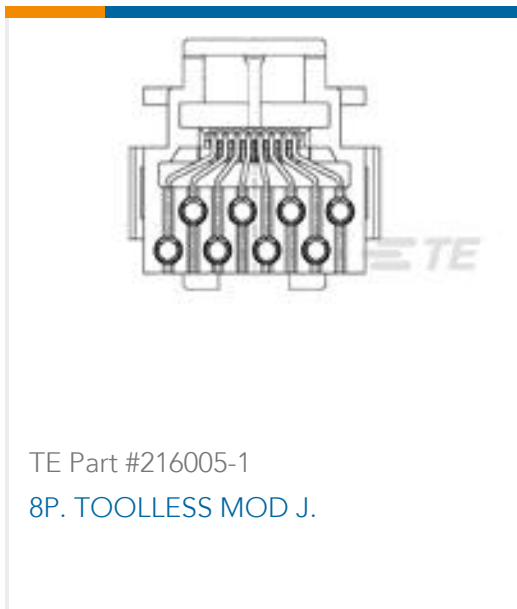
TE Part #5352269-1  
Z-PACK/B19 VF 95P



TE Part #207528-7  
SKT HDR ASSY, 12 POSN, METRIMATE



TE Part #173926-1  
4 P ACTION PIN UMNL



TE Part #216005-1  
8P. TOOLLESS MOD J.



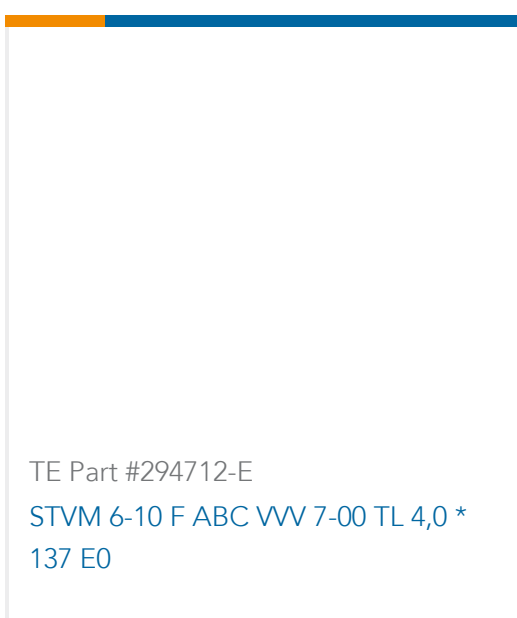
TE Part #8-2176306-9  
RP 1E 0.1W 9K53 0.1% 25PPM 5K RL



TE Part #7-1879354-2  
RR03 5% 300R AMMO



TE Part #4-647166-0  
10P MTA100 HDR ASSY, SM, FL, LF



TE Part #294712-E  
STVM 6-10 F ABC VW 7-00 TL 4,0 \*  
137 E0

## Documents

### Product Drawings

[MULTIGIG RT BP GUIDE PIN 2.5 NI](#)

English

### CAD Files

[3D PDF](#)

3D

Customer View Model

[ENG\\_CVM\\_CVM\\_1-1410773-2\\_A.2d\\_dxf.zip](#)

English

Customer View Model

[ENG\\_CVM\\_CVM\\_1-1410773-2\\_A.3d\\_igs.zip](#)

English

Customer View Model

[ENG\\_CVM\\_CVM\\_1-1410773-2\\_A.3d\\_stp.zip](#)

English

By downloading the CAD file I accept and agree to the [Terms and Conditions](#) of use.

### Datasheets & Catalog Pages



[High Speed Backplane Connectors catalog - MULTIGIG RT Connector](#)

English

[High Speed Backplane Connectors catalog - Z-PACK HM-Zd Connector](#)

English

[POWER\\_CONNECTORS\\_CATALOG\\_SEC01\\_BOARD\\_TO\\_BOARD](#)

English

[2\\_PIECE\\_POWER\\_CONNECTORS\\_qrg\\_4-1773458-1](#)

English

---

[Product Specifications](#)

[Application Specification](#)

English