



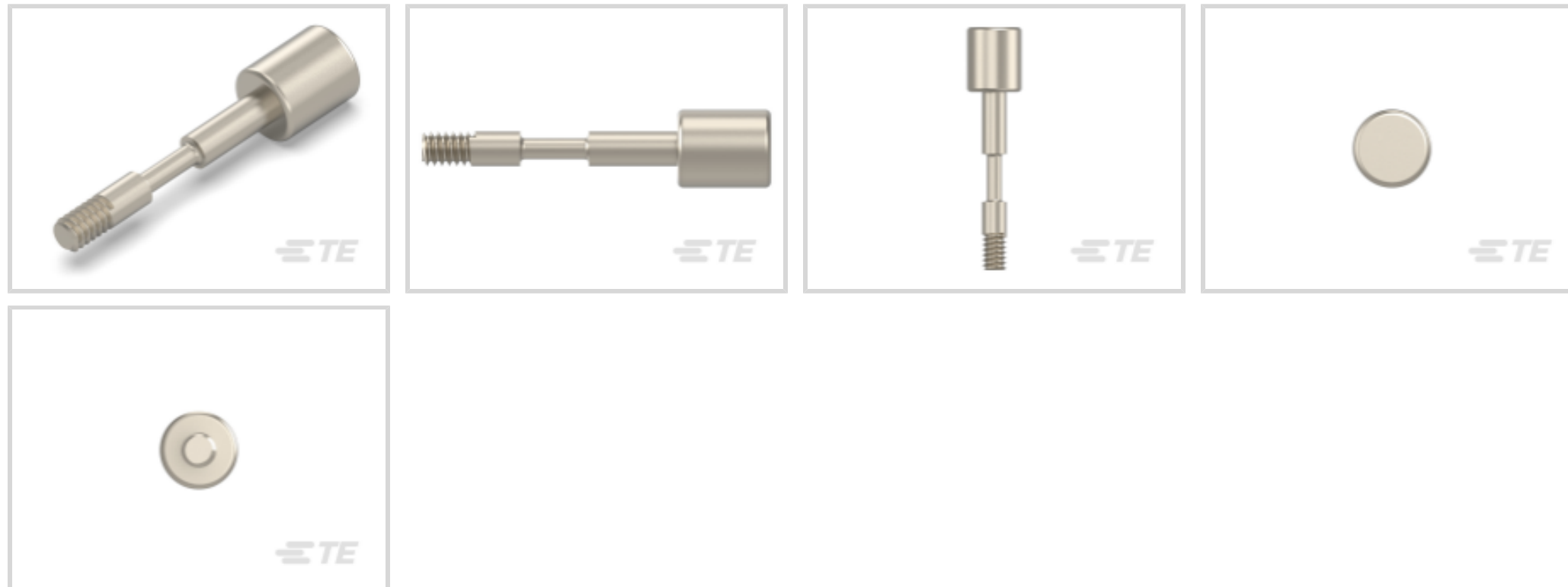
AMPLIMITE

TE Internal #: 1-1393561-9

TE Internal Description: V42254A 112V 9=SUB D SCHRAUBE

[View on TE.com >](#)

Connectors > D-Shaped Connectors > D-Sub Accessories > D-Sub Locking & Mounting



Connector Mounting Accessory Type: **Jackscrew**

Screw Length: **29.9 mm [1.178 in]**

Features

Product Type Features

Connector Mounting Accessory Type	Jackscrew
-----------------------------------	-----------

Mechanical Attachment

Screw Plating Material	Nickel over Copper
Thread Size	14702
Screw Length	29.9 mm[1.178 in]

Packaging Features

Packaging Method	Loose Piece
------------------	-------------

Product Compliance

[For compliance documentation, visit the product page on TE.com>](#)

EU RoHS Directive 2011/65/EU	Compliant
EU ELV Directive 2000/53/EC	Compliant
China RoHS 2 Directive MIIT Order No 32, 2016	No Restricted Materials Above Threshold
EU REACH Regulation (EC) No. 1907/2006	Current ECHA Candidate List: JUNE 2023 (235) Candidate List Declared Against: JUNE 2022 (224) Does not contain REACH SVHC
Halogen Content	Low Halogen - Br, Cl, F, I < 900 ppm per

homogenous material. Also BFR/CFR/PVC Free

Solder Process Capability

Not applicable for solder process capability

Product Compliance Disclaimer

This information is provided based on reasonable inquiry of our suppliers and represents our current actual knowledge based on the information they provided. This information is subject to change. The part numbers that TE has identified as EU RoHS compliant have a maximum concentration of 0.1% by weight in homogenous materials for lead, hexavalent chromium, mercury, PBB, PBDE, DBP, BBP, DEHP, DIBP, and 0.01% for cadmium, or qualify for an exemption to these limits as defined in the Annexes of Directive 2011/65/EU (RoHS2). Finished electrical and electronic equipment products will be CE marked as required by Directive 2011/65/EU. Components may not be CE marked. Additionally, the part numbers that TE has identified as EU ELV compliant have a maximum concentration of 0.1% by weight in homogenous materials for lead, hexavalent chromium, and mercury, and 0.01% for cadmium, or qualify for an exemption to these limits as defined in the Annexes of Directive 2000/53/EC (ELV). Regarding the REACH Regulation, the information TE provides on SVHC in articles for this part number is based on the latest European Chemicals Agency (ECHA) 'Guidance on requirements for substances in articles' posted at this URL: <https://echa.europa.eu/guidance-documents/guidance-on-reach>

Compatible Parts

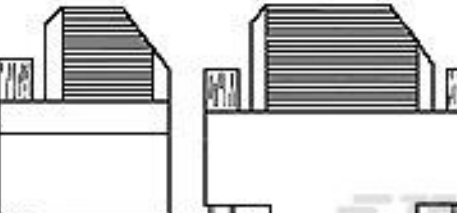


TE Part # 747784-4
JACKSCREW KIT,4-40, BULK

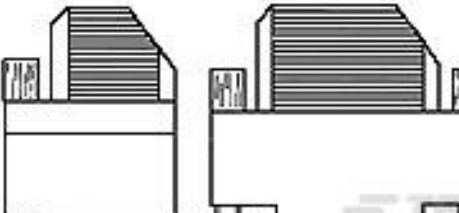
Customers Also Bought



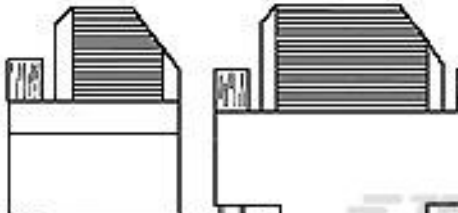
TE Part #3-640621-4
MTA Receptacle: Nylon, Tin Plated, 2.54 mm



TE Part #5-1393738-9
V42254A6004G109=SUB D GEHAEUSE



TE Part #6-1393738-1
V42254A6004G125=SUB D GEHAEUSE



TE Part #6-1393738-0
V42254A6004G115=SUB D GEHAEUSE

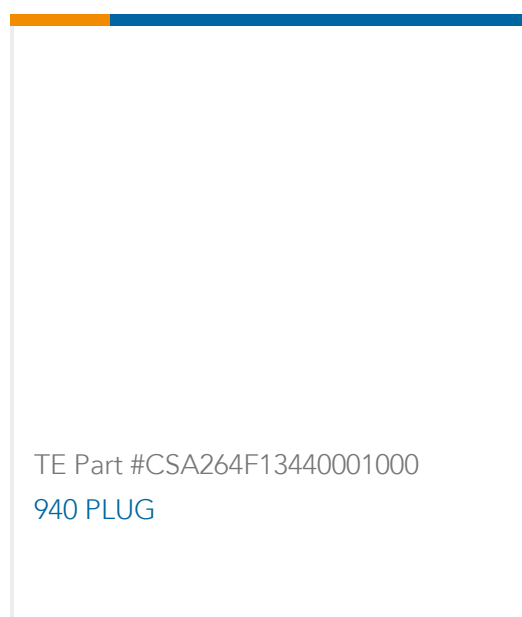
TE Part #22-0180-031-000
923 FRONT PART IG3, SPEEDTEC-R

TE Part #22-0198-031-000
623 FRONT PART IG3, SPEEDTEC-R



TE Part #C0-0006-000-000
BASE PLATE COMPLETE FOR CRIMPING PLIERS

TE Part #C0-0008-000-000
CRIMPING TOOL LARGE



Documents

Product Drawings

V42254A 112V 9=SUB D SCHRAUBE

English

CAD Files

3D PDF

3D

Customer View Model

[ENG_CVM_CVM_1-1393561-9_D.2d_dxf.zip](#)

English

Customer View Model

[ENG_CVM_CVM_1-1393561-9_D.3d_igs.zip](#)

English

Customer View Model

[ENG_CVM_CVM_1-1393561-9_D.3d_stp.zip](#)

English

By downloading the CAD file I accept and agree to the [Terms and Conditions](#) of use.