

1-1337431-0 ✓ ACTIVE



TE Internal #: 1-1337431-0
BNC RF Interface, Plug, 75 Ω , URM 111 / RG 179B / RG 187A,
Bayonet, 4 GHz Operating Frequency, Cable-to-Cable, 1 Position,
Wire & Cable

[View on TE.com >](#)

Connectors > RF Connectors > Coax Connectors



RF Interface: **BNC**

RF Connector Style: **Plug**

RF Connector Mated Outer Diameter (Approximate): **14.53 mm [.572 in]**

Impedance: **75 Ω**

Compatible With RF Cable Type: **RG 179B, RG 187A, TM3289, URM 111**

Features

Product Type Features

RF Interface	BNC
RF Connector Style	Plug
Compatible With RF Cable Type	RG 179B, RG 187A, TM3289, URM 111
Connector System	Cable-to-Cable
Sealable	No
Connector & Contact Terminates To	Wire & Cable

Configuration Features

Number of Positions	1
Number of Coaxial Contacts	1

Electrical Characteristics

Impedance	75 Ω
-----------	-------------

Body Features

Cable Connector Orientation	Straight
Body Material	Brass
Body Plating Material	Nickel

Contact Features

Crimp Type	Hex
RF Connector Center Contact Plating Material	Gold



RF Connector Center Contact Material	Brass
--------------------------------------	-------

Termination Features

Termination Method to Wire & Cable	Crimp
------------------------------------	-------

Mechanical Attachment

RF Connector Coupling Mechanism	Bayonet
---------------------------------	---------

Connector Mounting Type	Cable Mount (Free-Hanging)
-------------------------	----------------------------

RF Contact Captivation Method	Mechanical
-------------------------------	------------

Detent	With
--------	------

Dimensions

RF Connector Mated Outer Diameter (Approximate)	14.53 mm[.572 in]
---	-------------------

Usage Conditions

Insulation Option	Uninsulated
-------------------	-------------

Operating Temperature Range	-55 – 85 °C[-67 – 185 °F]
-----------------------------	---------------------------

Operation/Application

Operating Frequency	4 GHz
---------------------	-------

Packaging Features

Packaging Quantity	50
--------------------	----

Packaging Method	Box
------------------	-----

Other

Coupling Nut Base Material	Brass
----------------------------	-------

Gasket Material	Silicone Rubber
-----------------	-----------------

Grade	Professional
-------	--------------

Dielectric Material	PTFE
---------------------	------

Product Compliance

[For compliance documentation, visit the product page on TE.com>](#)

EU RoHS Directive 2011/65/EU	Compliant with Exemptions
------------------------------	---------------------------

EU ELV Directive 2000/53/EC	Compliant with Exemptions
-----------------------------	---------------------------

China RoHS 2 Directive MIIT Order No 32, 2016	Restricted Materials Above Threshold
---	--------------------------------------

EU REACH Regulation (EC) No. 1907/2006	Current ECHA Candidate List: JUNE 2023 (235) Candidate List Declared Against: JAN 2022 (223)
--	---



SVHC > Threshold:

Pb (3.23% in Component)

Article Safe Usage Statements:

Do not eat, drink or smoke when using this product. Wash thoroughly after handling. Recycle if possible and dispose of the article by following all applicable governmental regulations relevant to your geographic location.

Halogen Content

Low Bromine/Chlorine - Br and Cl < 900 ppm per homogenous material. Also BFR /CFR/PVC Free

Solder Process Capability

Not applicable for solder process capability

Product Compliance Disclaimer

This information is provided based on reasonable inquiry of our suppliers and represents our current actual knowledge based on the information they provided. This information is subject to change. The part numbers that TE has identified as EU RoHS compliant have a maximum concentration of 0.1% by weight in homogenous materials for lead, hexavalent chromium, mercury, PBB, PBDE, DBP, BBP, DEHP, DIBP, and 0.01% for cadmium, or qualify for an exemption to these limits as defined in the Annexes of Directive 2011/65/EU (RoHS2). Finished electrical and electronic equipment products will be CE marked as required by Directive 2011/65/EU. Components may not be CE marked. Additionally, the part numbers that TE has identified as EU ELV compliant have a maximum concentration of 0.1% by weight in homogenous materials for lead, hexavalent chromium, and mercury, and 0.01% for cadmium, or qualify for an exemption to these limits as defined in the Annexes of Directive 2000/53/EC (ELV). Regarding the REACH Regulation, the information TE provides on SVHC in articles for this part number is based on the latest European Chemicals Agency (ECHA) 'Guidance on requirements for substances in articles' posted at this URL: <https://echa.europa.eu/guidance-documents/guidance-on-reach>

Compatible Parts



TE Part # 1050859-1
2002 5016 00



TE Part # 1052552-1
2052 1352 02,SMA FM JACK RECPT



TE Part # 1-1337446-1
BNC Pnl Skt 75Ohm Silver Pltd

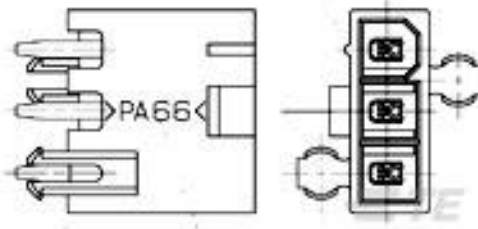


TE Part # 9-1478245-0
PRO-C HEX DIE PSF1/7

Customers Also Bought



TE Part #3-641237-5
05P MTA100 CONN ASSY RED 30AU



TE Part #2029181-3
3P VAL-U-LOK VRTHDR W/PGS GW



TE Part #282834-8
TERMI-BLOK PCB MOUNT, 90 8P.



TE Part #5-104550-6
50 SYS50 SURFMNT DRST RCPT SN




TE Part #3-2213772-3
AV22 SPL 5A MOVE RING LED GREEN
12V



TE Part #9-1478242-0
PRO-C HEX DIE RG58-RG59-URM70

TE Part #CJ6397-000
202K121-25/225-CS-2065-0

TE Part #CJ6398-000
202K132-25/225-CS-2065-0

TE Part #CJ6399-000
202K142-25/225-CS-2065-0

TE Part #RRDP0716-26PN949F
FILTER

Documents

Product Drawings

[BNC Str Plg Hex 75Ohm Nickel Pltd RG179B](#)

English

CAD Files

[3D PDF](#)

3D

Customer View Model

[ENG_CVM_CVM_1-1337431-0_D.2d_dxf.zip](#)

English

Customer View Model

[ENG_CVM_CVM_1-1337431-0_D.3d_igs.zip](#)

English

Customer View Model

[ENG_CVM_CVM_1-1337431-0_D.3d_stp.zip](#)

English

By downloading the CAD file I accept and agree to the [Terms and Conditions](#) of use.

Product Specifications

[Product Specification](#)

English

Product Environmental Compliance

[Product Compliance Document](#)

English

[Product Compliance Document](#)

English

1-1337431-0

BNC RF Interface, Plug, 75 Ω , URM 111 / RG 179B / RG 187A, Bayonet, 4 GHz
Operating Frequency, Cable-to-Cable, 1 Position, Wire & Cable

