



Product Compliance

[For compliance documentation, visit the product page on TE.com>](#)

EU RoHS Directive 2011/65/EU	Compliant with Exemptions
EU ELV Directive 2000/53/EC	Compliant with Exemptions
China RoHS 2 Directive MIIT Order No 32, 2016	Restricted Materials Above Threshold
EU REACH Regulation (EC) No. 1907/2006	Current ECHA Candidate List: JUNE 2023 (235) Candidate List Declared Against: JUNE 2022 (224) SVHC > Threshold: Pb (3.5% in Component) DBMC (.3% in COMPONENT PART) Article Safe Usage Statements: Do not eat, drink or smoke when using this product. Wash thoroughly after handling. Do not handle until all safety precautions have been read and understood. Recycle if possible and dispose of the article by following all applicable governmental regulations relevant to your geographic location.
Halogen Content	Not Yet Reviewed for halogen content
Solder Process Capability	Not applicable for solder process capability

Product Compliance Disclaimer

This information is provided based on reasonable inquiry of our suppliers and represents our current actual knowledge based on the information they provided. This information is subject to change. The part numbers that TE has identified as EU RoHS compliant have a maximum concentration of 0.1% by weight in homogenous materials for lead, hexavalent chromium, mercury, PBB, PBDE, DBP, BBP, DEHP, DIBP, and 0.01% for cadmium, or qualify for an exemption to these limits as defined in the Annexes of Directive 2011/65/EU (RoHS2). Finished electrical and electronic equipment products will be CE marked as required by Directive 2011/65/EU. Components may not be CE marked. Additionally, the part numbers that TE has identified as EU ELV compliant have a maximum concentration of 0.1% by weight in homogenous materials for lead, hexavalent chromium, and mercury, and 0.01% for cadmium, or qualify for an exemption to these limits as defined in the Annexes of Directive 2000/53/EC (ELV). Regarding the REACH Regulation, the information TE provides on SVHC in articles for this part number is based on the latest European Chemicals Agency (ECHA) 'Guidance on requirements for substances in articles' posted at this URL: <https://echa.europa.eu/guidance-documents/guidance-on-reach>

Also in the Series | [HDC IP65](#)



Rectangular Connector Hoods & Bases
(1258)

Customers Also Bought



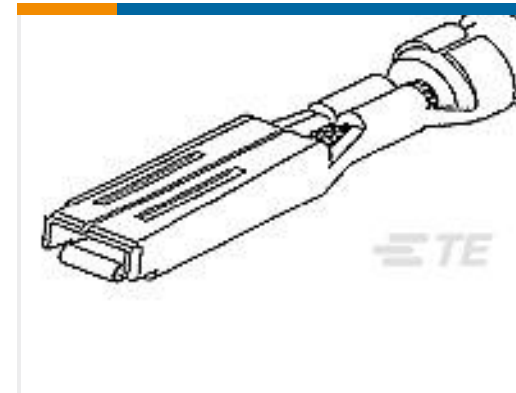
TE Part #1-1703820-1
Heavy Duty Sealed Connector Series
Housings



TE Part #1011-255-0205
BKSHL, 2P, BLK, PLG,ST,SR,NW6/7.5/8.
5/10



TE Part #323064
TERMINAL,SOLIS R HR 12-10 5/16



TE Part #183025-1
MINI MIC RECPT C



TE Part #1670866-1
COVER,180



TE Part #1418994-1
AMP MCP 2.8 HSG.WITH SEC.10POS



TE Part #964269-5
TAB A 1.6x0.6 CONTACT CF SWS Ag



TE Part #1-1103414-1
HA.10.STI.S



TE Part #1-1103416-7
HA.16.STI.S.B 17-32

Documents

Product Drawings

[HA.10.STS.1.16](#)

English

CAD Files

Customer View Model

[ENG_CVM_1-1102115-7_B2.3d_igs.zip](#)

English

Customer View Model



[ENG_CVM_1-1102115-7_B2.3d_stp.zip](#)

English

Customer View Model

[ENG_CVM_1-1102115-7_B2.2d_dxf.zip](#)

English

3D PDF

3D

By downloading the CAD file I accept and agree to the [Terms and Conditions](#) of use.