

1-104891-0 ✓ ACTIVE

AMPMODU | AMPMODU 50/50 Grid

TE Internal #: 1-104891-0

Terminating, Black, Polyester, 100 Position, AMPMODU 50/50 Grid

[View on TE.com >](#)



Connectors > Connector Accessories > Connector Caps & Covers



Connector Cover Type: **Terminating**

Primary Product Color: **Black**

Primary Product Material: **Polyester**

Number of Positions: **100**

Operating Temperature (Max): **105 °C [221 °F]**

Features

Product Type Features

| | |
|----------------------|-------------|
| Product Profile | Standard |
| Connector Cover Type | Terminating |

Configuration Features

| | |
|---------------------|-----|
| Number of Rows | 2 |
| Number of Positions | 100 |

Body Features

| | |
|--------------------------|-----------|
| Connector Cover Side | Front |
| Primary Product Color | Black |
| Primary Product Material | Polyester |

Housing Features

| | |
|--------------------|-----------------|
| Centerline (Pitch) | 1.27 mm[.05 in] |
|--------------------|-----------------|

Dimensions

| | |
|--------------------|-----------------|
| Row-to-Row Spacing | 1.27 mm[.05 in] |
|--------------------|-----------------|

Usage Conditions

| | |
|-----------------------------|----------------------------|
| Operating Temperature (Max) | 105 °C[221 °F] |
| Operating Temperature Range | -65 – 105 °C[-85 – 221 °F] |

Industry Standards

| | |
|------------------------|----------|
| UL Flammability Rating | UL 94V-0 |
|------------------------|----------|

Product Compliance

For compliance documentation, visit the product page on [TE.com](#)>

| | |
|---|---|
| EU RoHS Directive 2011/65/EU | Compliant |
| EU ELV Directive 2000/53/EC | Compliant |
| China RoHS 2 Directive MIIT Order No 32, 2016 | No Restricted Materials Above Threshold |
| EU REACH Regulation (EC) No. 1907/2006 | Current ECHA Candidate List: JUNE 2023 (235) Candidate List Declared Against: JUNE 2022 (224) Does not contain REACH SVHC |
| Halogen Content | Not Low Halogen - contains Br or Cl > 900 ppm. |
| Solder Process Capability | Not applicable for solder process capability |

Product Compliance Disclaimer

This information is provided based on reasonable inquiry of our suppliers and represents our current actual knowledge based on the information they provided. This information is subject to change. The part numbers that TE has identified as EU RoHS compliant have a maximum concentration of 0.1% by weight in homogenous materials for lead, hexavalent chromium, mercury, PBB, PBDE, DBP, BBP, DEHP, DIBP, and 0.01% for cadmium, or qualify for an exemption to these limits as defined in the Annexes of Directive 2011/65/EU (RoHS2). Finished electrical and electronic equipment products will be CE marked as required by Directive 2011/65/EU. Components may not be CE marked. Additionally, the part numbers that TE has identified as EU ELV compliant have a maximum concentration of 0.1% by weight in homogenous materials for lead, hexavalent chromium, and mercury, and 0.01% for cadmium, or qualify for an exemption to these limits as defined in the Annexes of Directive 2000/53/EC (ELV). Regarding the REACH Regulation, the information TE provides on SVHC in articles for this part number is based on the latest European Chemicals Agency (ECHA) 'Guidance on requirements for substances in articles' posted at this URL: <https://echa.europa.eu/guidance-documents/guidance-on-reach>

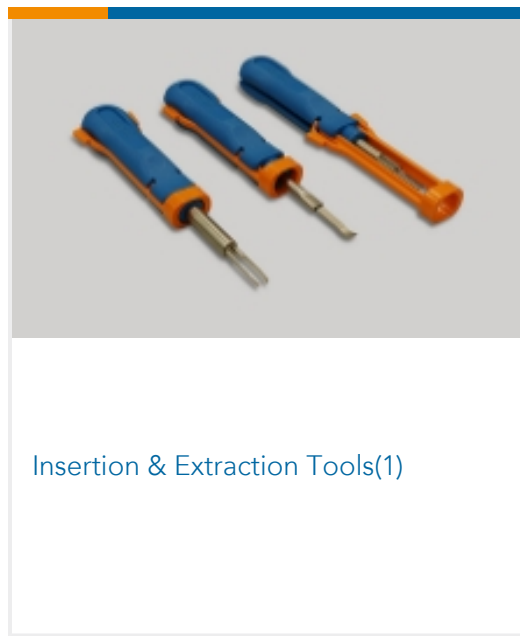
Compatible Parts



Also in the Series | [AMPMODU 50/50 Grid](#)



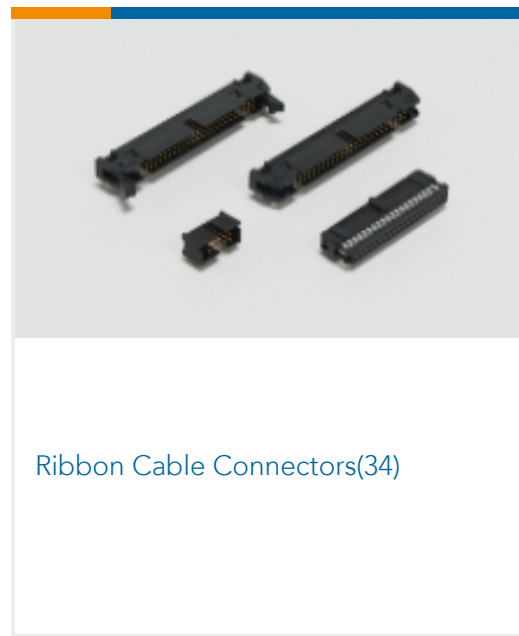
Connector Caps & Covers(9)



Insertion & Extraction Tools(1)

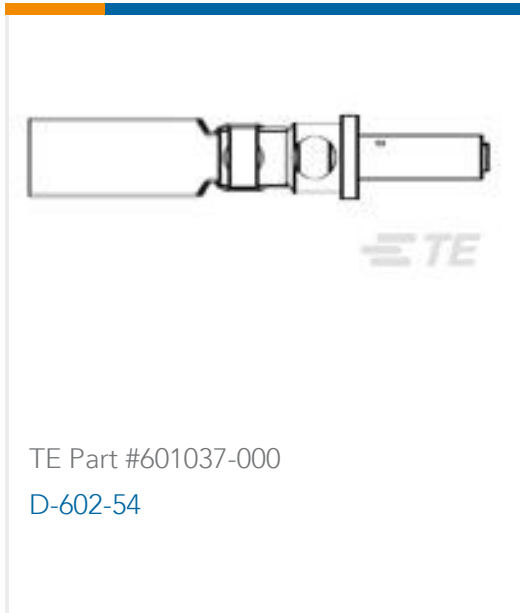


PCB Headers & Receptacles(302)



Ribbon Cable Connectors(34)

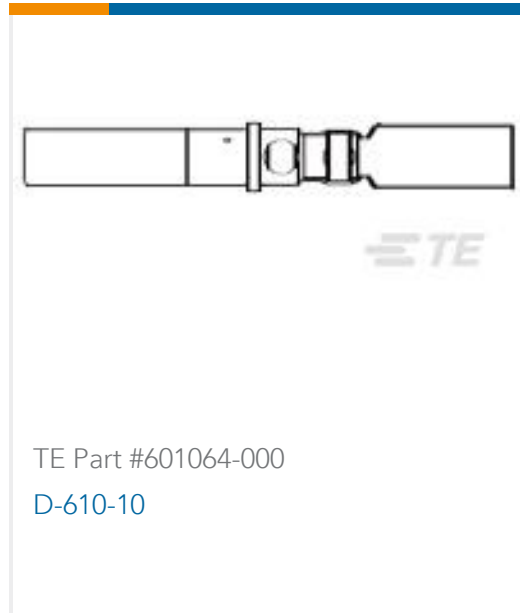
Customers Also Bought



TE Part #601037-000
D-602-54



TE Part #601038-000
D-602-55



TE Part #601064-000
D-610-10



TE Part #601063-000
D-610-09



TE Part #964073-000
B-044-22-N



TE Part #486085-000
CWT-9-W122-5



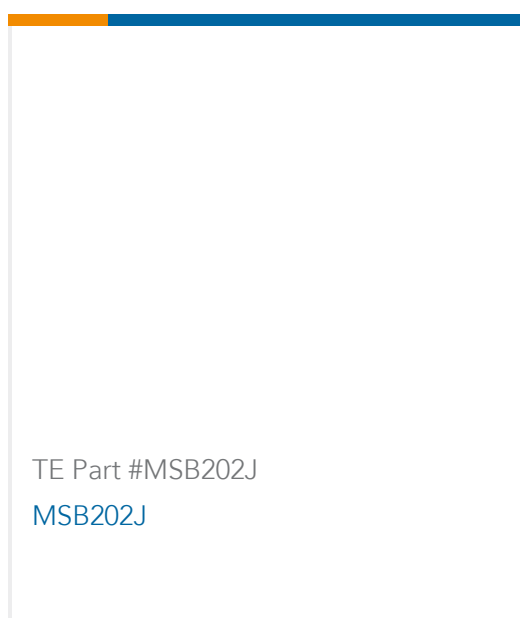
TE Part #5510320002
PD-CAP-1/8-0



TE Part #228583-1
RT ANGLE PLUG, SERIES SMA



TE Part #1878660-9
QCC306BU



TE Part #MSB202J
MSB202J

Documents

Product Drawings

[100 50/50 GRID CBLE RCPT COVER](#)

English

CAD Files

[3D PDF](#)

English

Customer View Model

[ENG_CVM_1-104891-0_C.3d_igs.zip](#)



English

Customer View Model

[ENG_CVM_1-104891-0_C.3d_stp.zip](#)

English

Customer View Model

[ENG_CVM_1-104891-0_C.2d_dxf.zip](#)

English

By downloading the CAD file I accept and agree to the [Terms and Conditions](#) of use.

Datasheets & Catalog Pages

[AMPMODU_INTERCONNECTION_SYSTEM_SECTION1AND2](#)

English

[Ribbon Cable Interconnect Solutions](#)

English

[Fine Pitch Stacking Connectors - 1.27mm AMPMODU 50/50 Grid Connectors](#)

English

[5-1773700-6_AMPMODU_50_50_QRG](#)

English

Product Specifications

[Application Specification](#)

English