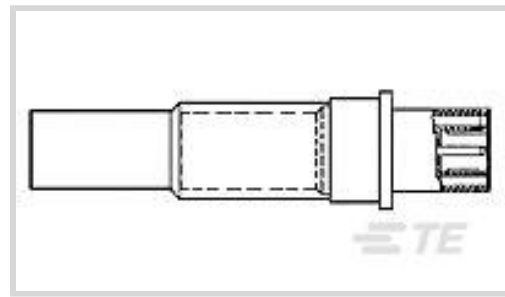




Wire Protection & Management > Interconnect Devices > Shielded Contacts



Compatible With Wire & Cable Type: **TwinAxial**

Contact Type: **Pin**

Contact Size: **Size 8**

### Features

#### Configuration Features

Compatible With Wire & Cable Type	TwinAxial
-----------------------------------	-----------

#### Contact Features

Contact Type	Pin
Contact Size	Size 8

#### Usage Conditions

Operating Temperature (Max)	150 °C
-----------------------------	--------

### Product Compliance

[For compliance documentation, visit the product page on TE.com>](#)

EU RoHS Directive 2011/65/EU	Not Compliant
EU ELV Directive 2000/53/EC	Not Compliant
China RoHS 2 Directive MIIT Order No 32, 2016	Restricted Materials Above Threshold
EU REACH Regulation (EC) No. 1907/2006	Current ECHA Candidate List: JUNE 2023 (235) Candidate List Declared Against: JUNE 2023 (235) SVHC > Threshold: Pb (37% in Solder in Solder Device) <small>Article Safe Usage Statements: Do not eat, drink or smoke when using this product. Wash thoroughly after handling. Recycle if possible and dispose of the article by following all applicable governmental regulations relevant to your geographic location.</small>
Halogen Content	Low Halogen - Br, Cl, F, I < 900 ppm per homogenous material. Also BFR/CFR/PVC Free
Solder Process Capability	Not applicable for solder process capability



Product Compliance Disclaimer

This information is provided based on reasonable inquiry of our suppliers and represents our current actual knowledge based on the information they provided. This information is subject to change. The part numbers that TE has identified as EU RoHS compliant have a maximum concentration of 0.1% by weight in homogenous materials for lead, hexavalent chromium, mercury, PBB, PBDE, DBP, BBP, DEHP, DIBP, and 0.01% for cadmium, or qualify for an exemption to these limits as defined in the Annexes of Directive 2011/65/EU (RoHS2). Finished electrical and electronic equipment products will be CE marked as required by Directive 2011/65/EU. Components may not be CE marked. Additionally, the part numbers that TE has identified as EU ELV compliant have a maximum concentration of 0.1% by weight in homogenous materials for lead, hexavalent chromium, and mercury, and 0.01% for cadmium, or qualify for an exemption to these limits as defined in the Annexes of Directive 2000/53/EC (ELV). Regarding the REACH Regulation, the information TE provides on SVHC in articles for this part number is based on the latest European Chemicals Agency (ECHA) 'Guidance on requirements for substances in articles' posted at this URL: <https://echa.europa.eu/guidance-documents/guidance-on-reach>

### Compatible Parts



TE Part # 750984-004  
10612-24-9

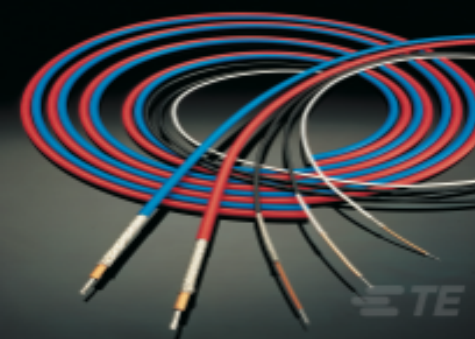
### Customers Also Bought




TE Part #3-51864-1  
TERMINAL,PIDG R 16-14 6



TE Part #5134530001  
TMS-SCE Military Grade Sleeves




TE Part #935240-000  
2020E0421-9X



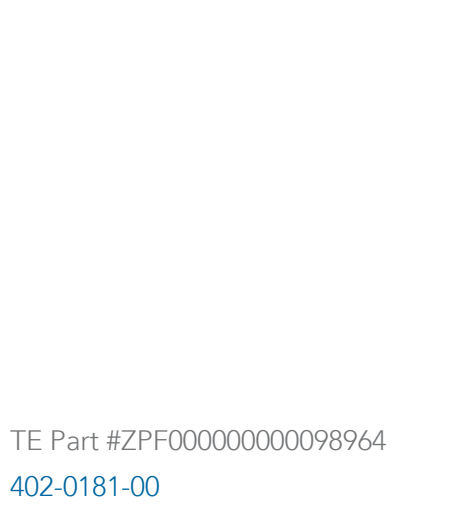
TE Part #440031-000  
22759/44-22-9



TE Part #CJ8362-000  
S200-4-W2-22-9



TE Part #CZ4537-000  
CEC-RWC-20412-6



TE Part #ZPF00000000098964  
402-0181-00

### Documents

Product Drawings

[DK-602-0156-2](#)

English



---

[Datasheets & Catalog Pages](#)

[Data Bus Components Brochure](#)

English