



Connectors > Rectangular Connectors > Connector Contacts



Contact Type: **Pin**

Contact Mating Area Plating Material: **Silver**

Wire Contact Termination Area Plating Material: **Silver**

Wire Size: **35 – 55 mm²**

Termination Method to Wire & Cable: **Crimp**

Features

Contact Features

Contact Type	Pin
Contact Mating Area Plating Material	Silver
Wire Contact Termination Area Plating Material	Silver
Contact Current Rating (Max)	150 A

Termination Features

Termination Method to Wire & Cable	Crimp
------------------------------------	-------

Dimensions

Wire Size	35 – 55 mm ²
-----------	-------------------------

Product Compliance

[For compliance documentation, visit the product page on TE.com>](#)

EU RoHS Directive 2011/65/EU	Compliant with Exemptions
EU ELV Directive 2000/53/EC	Compliant with Exemptions
China RoHS 2 Directive MIIT Order No 32, 2016	Restricted Materials Above Threshold
EU REACH Regulation (EC) No. 1907/2006	Current ECHA Candidate List: JUNE 2023 (235) Candidate List Declared Against: JAN 2023 (233) SVHC > Threshold: Pb (1.2% in Contact Lead-Copper Alloy)

Article Safe Usage Statements:

Do not eat, drink or smoke when using this product. Wash thoroughly after handling. Recycle if possible and dispose of the article by following all applicable governmental regulations relevant to your geographic location.

Halogen Content

Not Yet Reviewed for halogen content

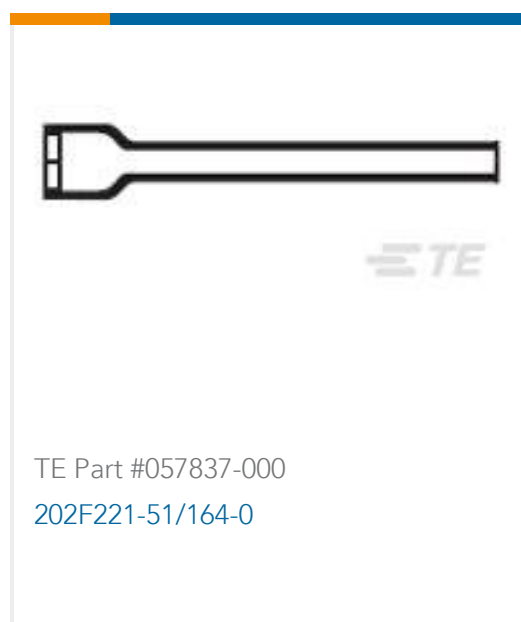
Solder Process Capability

Not reviewed for solder process capability

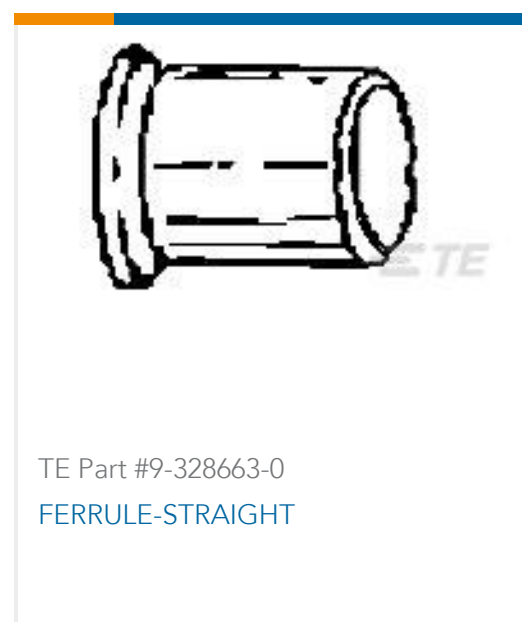
Product Compliance Disclaimer

This information is provided based on reasonable inquiry of our suppliers and represents our current actual knowledge based on the information they provided. This information is subject to change. The part numbers that TE has identified as EU RoHS compliant have a maximum concentration of 0.1% by weight in homogenous materials for lead, hexavalent chromium, mercury, PBB, PBDE, DBP, BBP, DEHP, DIBP, and 0.01% for cadmium, or qualify for an exemption to these limits as defined in the Annexes of Directive 2011/65/EU (RoHS2). Finished electrical and electronic equipment products will be CE marked as required by Directive 2011/65/EU. Components may not be CE marked. Additionally, the part numbers that TE has identified as EU ELV compliant have a maximum concentration of 0.1% by weight in homogenous materials for lead, hexavalent chromium, and mercury, and 0.01% for cadmium, or qualify for an exemption to these limits as defined in the Annexes of Directive 2000/53/EC (ELV). Regarding the REACH Regulation, the information TE provides on SVHC in articles for this part number is based on the latest European Chemicals Agency (ECHA) 'Guidance on requirements for substances in articles' posted at this URL: <https://echa.europa.eu/guidance-documents/guidance-on-reach>

Customers Also Bought



TE Part #057837-000
202F221-51/164-0



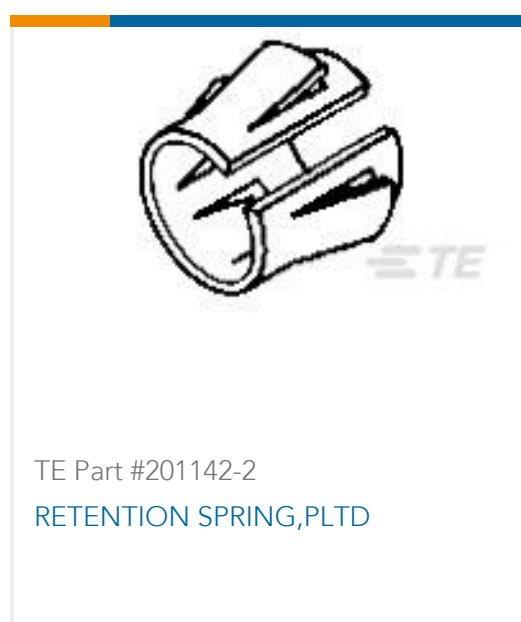
TE Part #9-328663-0
FERRULE-STRAIGHT



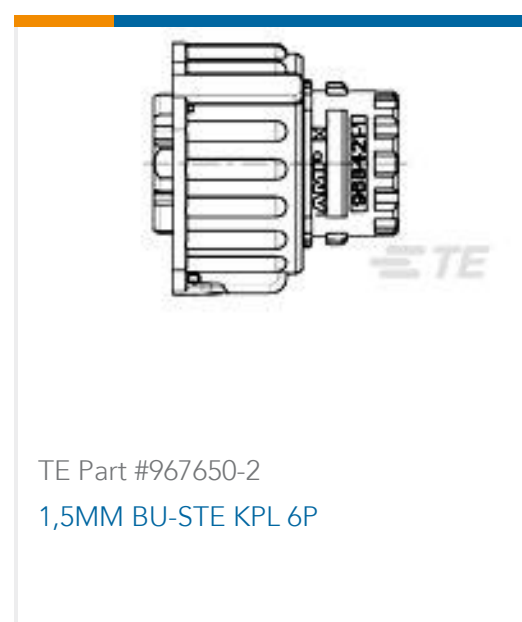
TE Part #0641-2-1631L
CONT PIN



TE Part #12333-20
CONT SOC ASSY



TE Part #201142-2
RETENTION SPRING,PLTD



TE Part #967650-2
1,5MM BU-STE KPL 6P



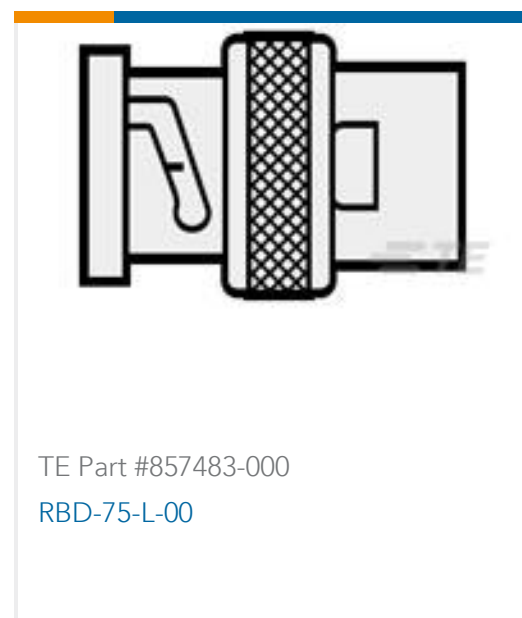
TE Part #YDTS26F15-97PNV001
PLUG ASSY



TE Part #9-328666-3
FERRULE, STEP DOWN, PLTD



TE Part #ZPF0000000000001203
097-0016-20



TE Part #857483-000
RBD-75-L-00

Documents

[Product Drawings](#)
[CONT PIN](#)



English

CAD Files

3D PDF

3D

Customer View Model

[ENG_CVM_CVM_0660-206-0082_C.2d_dxf.zip](#)

English

Customer View Model

[ENG_CVM_CVM_0660-206-0082_C.3d_igs.zip](#)

English

Customer View Model

[ENG_CVM_CVM_0660-206-0082_C.3d_stp.zip](#)

English

By downloading the CAD file I accept and agree to the [Terms and Conditions](#) of use.

Datasheets & Catalog Pages

[DEUTSCH High Power Contacts for MIL-DTL-5015](#)

English