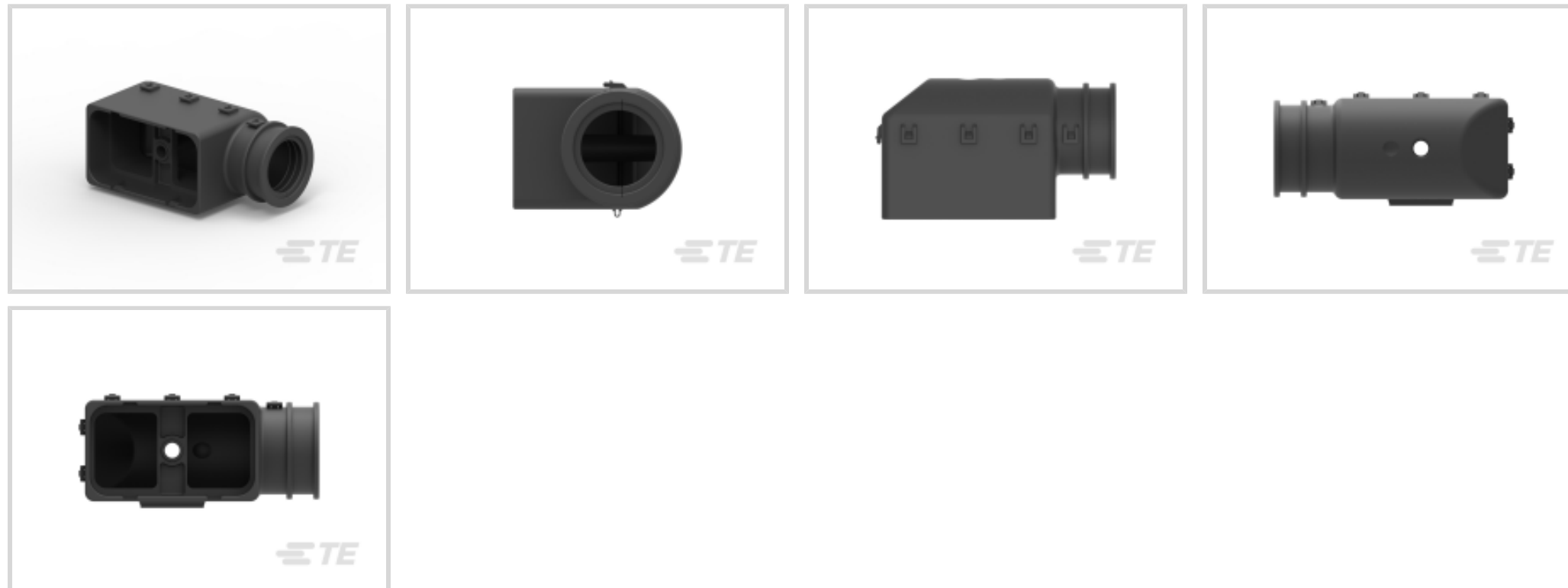




Connectors > Connector Accessories > Connector Backshells > DEUTSCH DRC Backshells



Connector Backshell Product Type: **Backshell**

Primary Product Material: **PA GF**

Number of Positions: **60**

Sealable: **No**

Operating Temperature Range: **-55 – 125 °C [-67 – 257 °F]**

[All DEUTSCH DRC Backshells \(6\)](#)

Features

Product Type Features

Connector Backshell Product Type	Backshell
Sealable	No

Configuration Features

Number of Positions	60
---------------------	----

Body Features

Primary Product Color	Black
Primary Product Material	PA GF

Dimensions

Compatible Cable Diameter Range	0 – 26 mm [0 – 1.024 in]
---------------------------------	----------------------------

Usage Conditions

Operating Temperature (Max)	125 °C [257 °F]
Operating Temperature Range	-55 – 125 °C [-67 – 257 °F]

Industry Standards



IP Rating	IP6K9K
-----------	--------

UL Flammability Rating	UL 94HB
------------------------	---------

Packaging Features

Packaging Quantity	48
--------------------	----

Packaging Method	Box
------------------	-----

Other

Serviceable	Yes
-------------	-----

Product Compliance

[For compliance documentation, visit the product page on TE.com>](#)

EU RoHS Directive 2011/65/EU	Compliant
------------------------------	-----------

EU ELV Directive 2000/53/EC	Compliant
-----------------------------	-----------

China RoHS 2 Directive MIIT Order No 32, 2016	No Restricted Materials Above Threshold
---	---

EU REACH Regulation (EC) No. 1907/2006	Current ECHA Candidate List: JUNE 2023 (235) Candidate List Declared Against: JUNE 2023 (235) Does not contain REACH SVHC
--	---

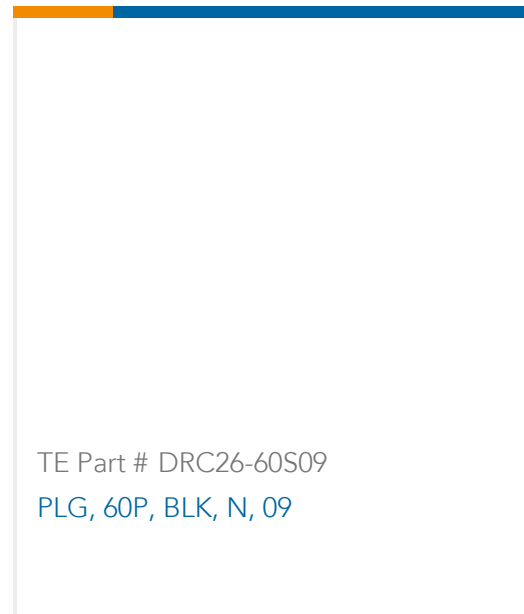
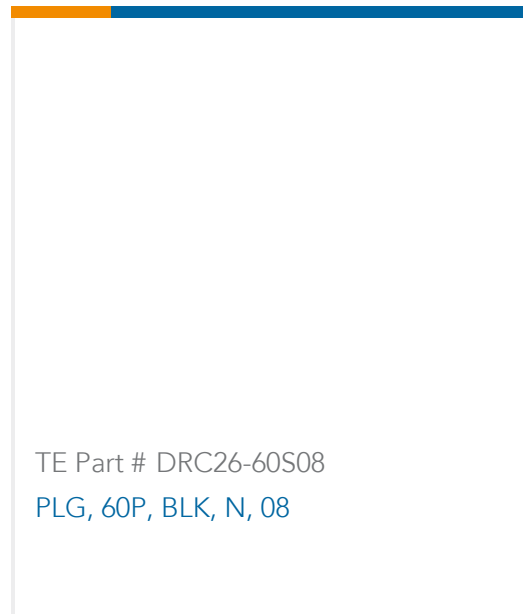
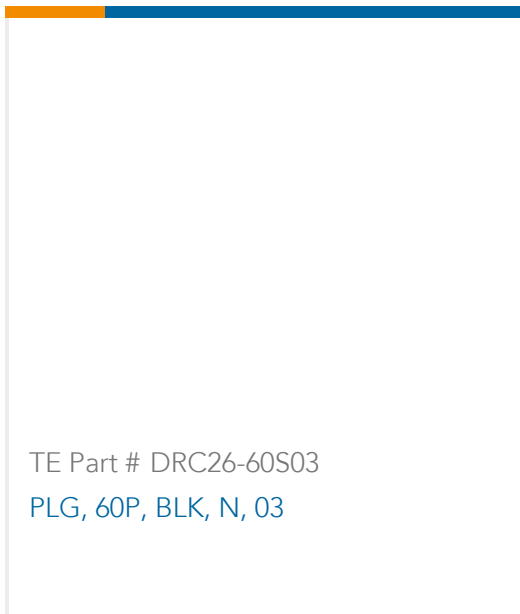
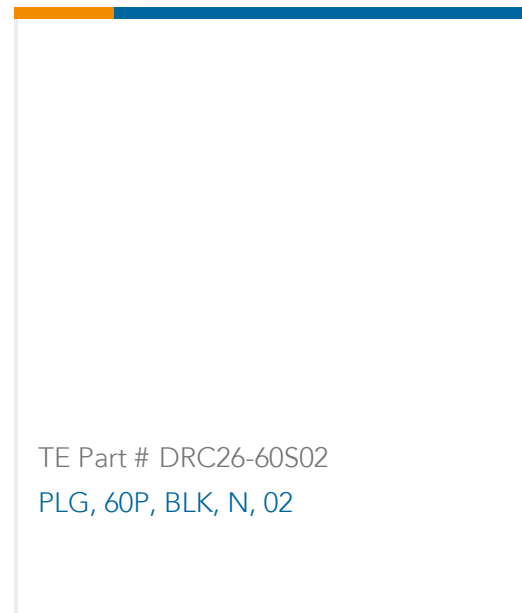
Halogen Content	Low Halogen - Br, Cl, F, I < 900 ppm per homogenous material. Also BFR/CFR/PVC Free
-----------------	---

Solder Process Capability	Not reviewed for solder process capability
---------------------------	--

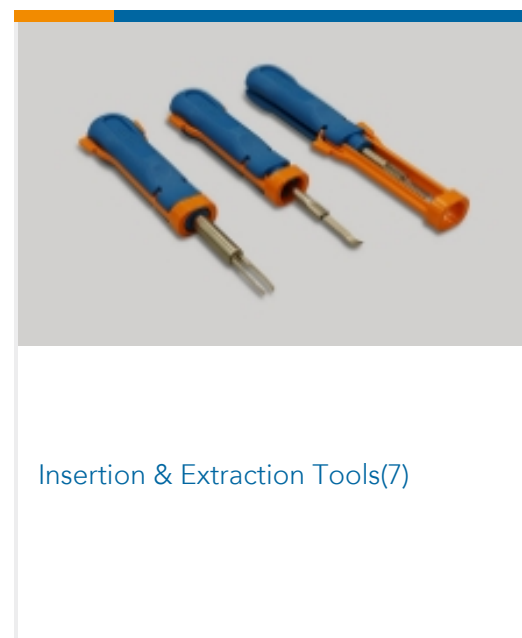
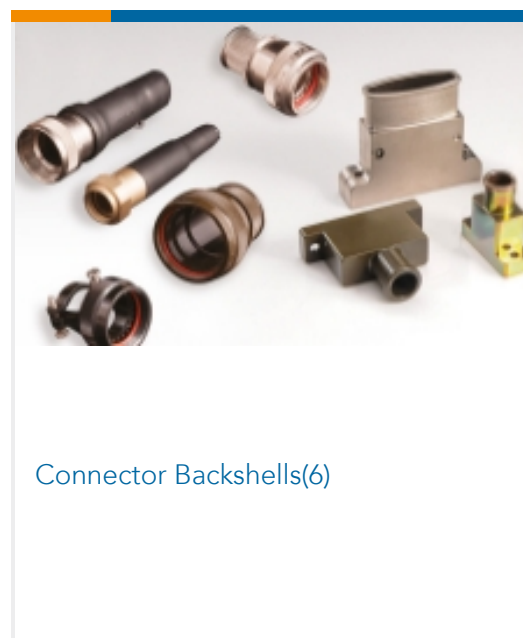
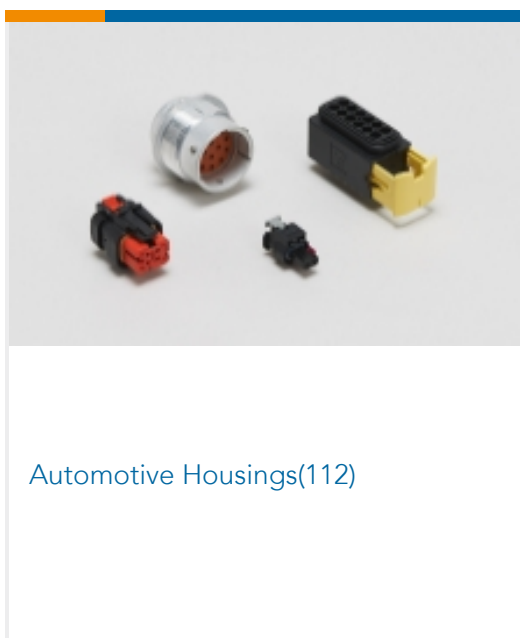
Product Compliance Disclaimer

This information is provided based on reasonable inquiry of our suppliers and represents our current actual knowledge based on the information they provided. This information is subject to change. The part numbers that TE has identified as EU RoHS compliant have a maximum concentration of 0.1% by weight in homogenous materials for lead, hexavalent chromium, mercury, PBB, PBDE, DBP, BBP, DEHP, DIBP, and 0.01% for cadmium, or qualify for an exemption to these limits as defined in the Annexes of Directive 2011/65/EU (RoHS2). Finished electrical and electronic equipment products will be CE marked as required by Directive 2011/65/EU. Components may not be CE marked. Additionally, the part numbers that TE has identified as EU ELV compliant have a maximum concentration of 0.1% by weight in homogenous materials for lead, hexavalent chromium, and mercury, and 0.01% for cadmium, or qualify for an exemption to these limits as defined in the Annexes of Directive 2000/53/EC (ELV). Regarding the REACH Regulation, the information TE provides on SVHC in articles for this part number is based on the latest European Chemicals Agency (ECHA) 'Guidance on requirements for substances in articles' posted at this URL: <https://echa.europa.eu/guidance-documents/guidance-on-reach>

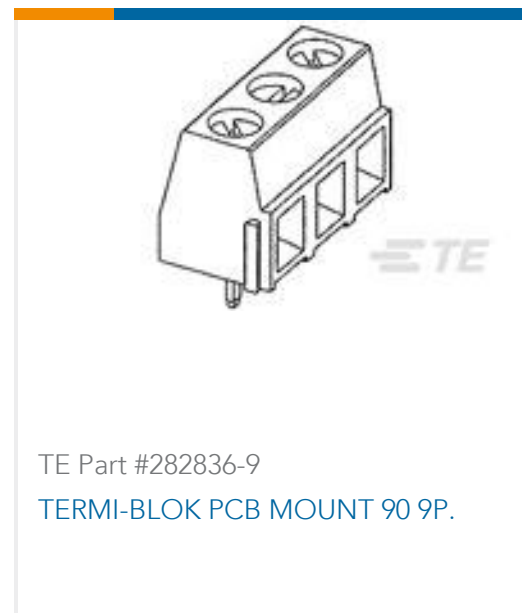
Compatible Parts



Also in the Series | DEUTSCH DRC



Customers Also Bought





Documents

Product Drawings

[BKSHL, 60P, BLK, PLG, RA, SIDE, NW 26](#)

English

CAD Files

[3D PDF](#)

3D

Customer View Model

[ENG_CVM_CVM_0528-007-6005_99_c-0528-007-6005-99.2d_dxf.zip](#)

English

Customer View Model

[ENG_CVM_CVM_0528-007-6005_99_c-0528-007-6005-99.3d_igs.zip](#)

English

Customer View Model

[ENG_CVM_CVM_0528-007-6005_99_c-0528-007-6005-99.3d_stp.zip](#)

English

By downloading the CAD file I accept and agree to the [Terms and Conditions](#) of use.

Datasheets & Catalog Pages

[ICT Terminals and Connectors Catalogue](#)

English

[CONNECTOR SELECTOR](#)

English

Product Specifications

[Product Specification](#)

English

