



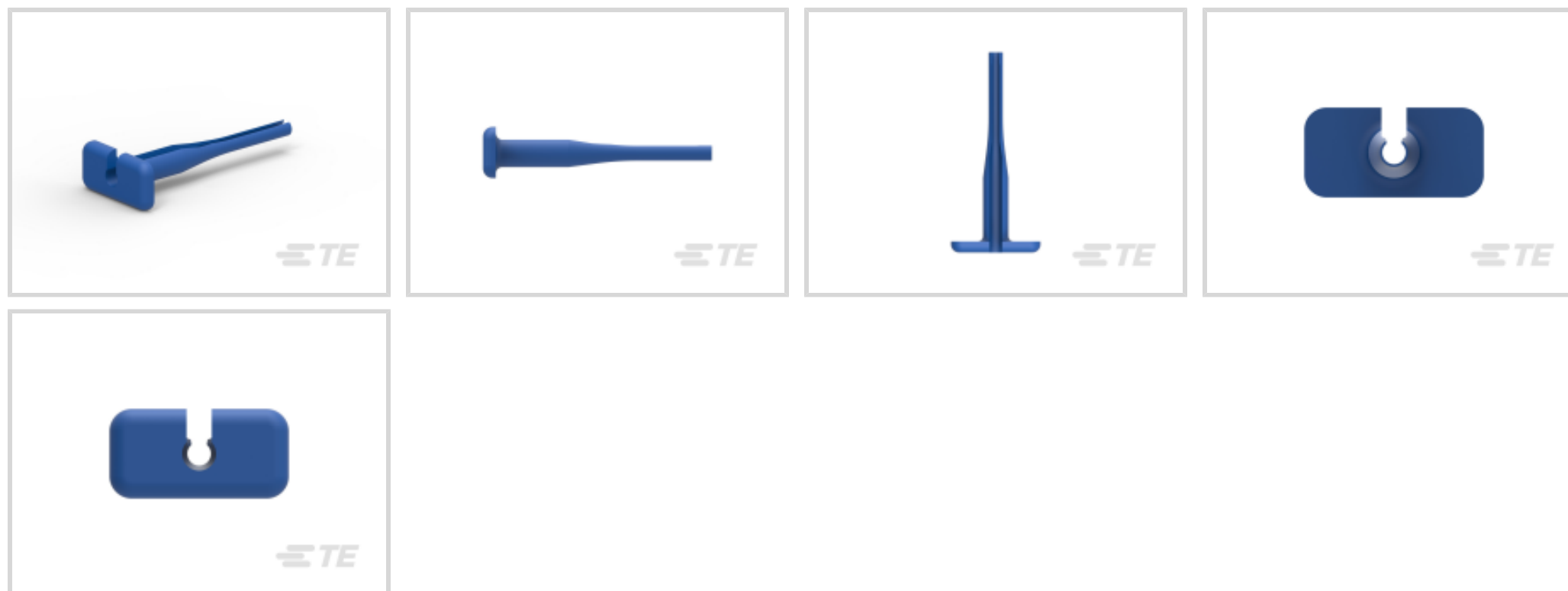
DEUTSCH HD

TE Internal #: 0411-336-1605

TE Internal Description: EXT TOOL, SIZE 16, 16-20 AWG, E, DRK

BLU

[View on TE.com >](#)



Product Compliance

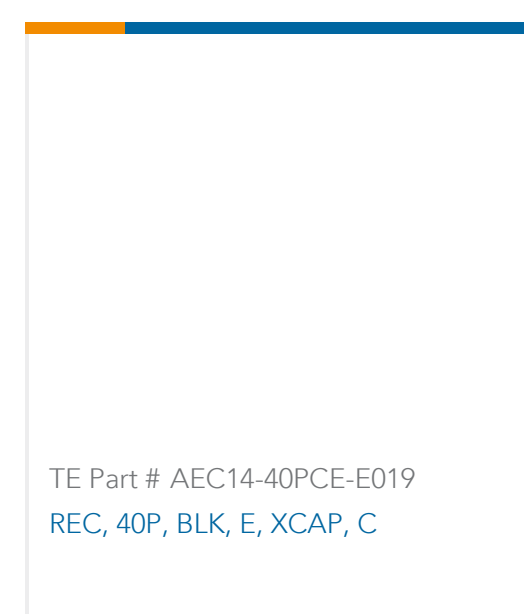
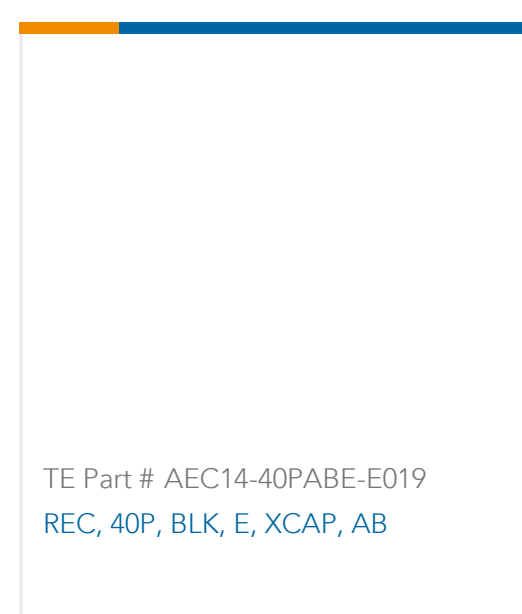
[For compliance documentation, visit the product page on TE.com>](#)

EU RoHS Directive 2011/65/EU	Compliant
EU ELV Directive 2000/53/EC	Compliant
China RoHS 2 Directive MIIT Order No 32, 2016	No Restricted Materials Above Threshold
EU REACH Regulation (EC) No. 1907/2006	Current ECHA Candidate List: JUNE 2023 (235) Candidate List Declared Against: JUNE 2023 (235) Does not contain REACH SVHC
Halogen Content	Low Halogen - Br, Cl, F, I < 900 ppm per homogenous material. Also BFR/CFR/PVC Free
Solder Process Capability	Not reviewed for solder process capability

Product Compliance Disclaimer

This information is provided based on reasonable inquiry of our suppliers and represents our current actual knowledge based on the information they provided. This information is subject to change. The part numbers that TE has identified as EU RoHS compliant have a maximum concentration of 0.1% by weight in homogenous materials for lead, hexavalent chromium, mercury, PBB, PBDE, DBP, BBP, DEHP, DIBP, and 0.01% for cadmium, or qualify for an exemption to these limits as defined in the Annexes of Directive 2011/65/EU (RoHS2). Finished electrical and electronic equipment products will be CE marked as required by Directive 2011/65/EU. Components may not be CE marked. Additionally, the part numbers that TE has identified as EU ELV compliant have a maximum concentration of 0.1% by weight in homogenous materials for lead, hexavalent chromium, and mercury, and 0.01% for cadmium, or qualify for an exemption to these limits as defined in the Annexes of Directive 2000/53/EC (ELV). Regarding the REACH Regulation, the information TE provides on SVHC in articles for this part number is based on the latest European Chemicals Agency (ECHA) 'Guidance on requirements for substances in articles' posted at this URL: <https://echa.europa.eu/guidance-documents/guidance-on-reach>

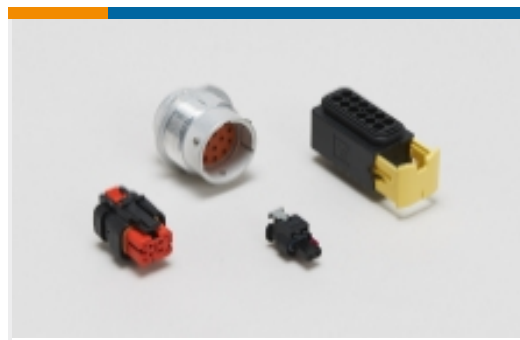
Compatible Parts



Also in the Series | **DEUTSCH HD**



Automotive Connector Caps & Covers (32)



Automotive Housings(742)



Connector Backshells(29)



Connector Seals & Cavity Plugs(10)



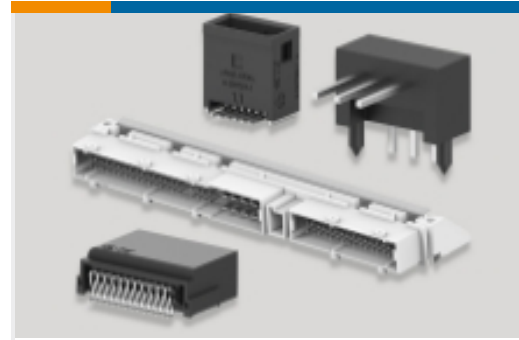
Connector Strain Relief(5)



Insertion & Extraction Tools(11)



Other Automotive Connector Accessories(11)

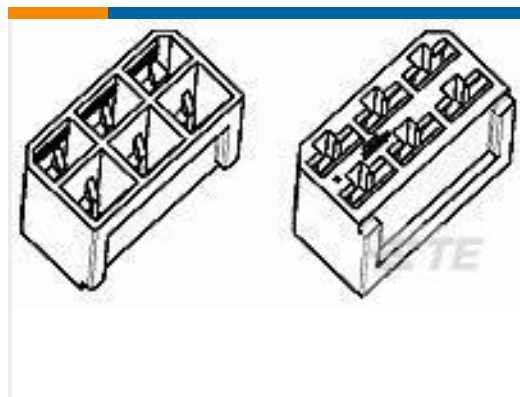


PCB Headers & Receptacles(1)

Customers Also Bought



TE Part #HDP26-24-23PE-L015
PLG, 23P, BLK, E, THD, 16, P



TE Part #1-480281-0
FF 250 REC HSG 6P NYLON BLACK



TE Part #2411-001-2405
PANEL NUT, SIZE 24, HDP



TE Part #K1156217
Emergency Switch ES-2012-T112



TE Part #0411-353-0805
EXT TOOL, SIZE 8, 8-10 AWG, N, GRN



TE Part #0411-337-1205
EXT TOOL, SIZE 12, 12-14 AWG, E, ORG



TE Part #0411-291-1405
EXT TOOL, SIZE 16, 14-16 AWG, N, GRN



TE Part #114010-ZZ
EXT TOOL, SIZE 12, 12 AWG, N, YEL



TE Part #0411-240-2005
EXT TOOL, SIZE 20, 16-22 AWG, N, RED



TE Part #0411-310-1605
EXT TOOL, SIZE 16, 16-18 AWG, T, LT BLU

Documents



Product Drawings

[EXT TOOL, SIZE 16, 16-20 AWG, E, DRK BLU](#)

English

CAD Files

[3D PDF](#)

3D

Customer View Model

[ENG_CVM_CVM_0411-336-1605_C.2d_dxf.zip](#)

English

Customer View Model

[ENG_CVM_CVM_0411-336-1605_C.3d_igs.zip](#)

English

Customer View Model

[ENG_CVM_CVM_0411-336-1605_C.3d_stp.zip](#)

English

By downloading the CAD file I accept and agree to the [Terms and Conditions](#) of use.

Instruction Sheets

[Instruction Sheet \(U.S.\)](#)

English