



Sensors > Position Sensors > LVDT/LVIT Sensors > MINIATURE LIGHTWEIGHT LVDT



Housing Diameter: 9.52 mm [.375 in]

Full Stroke Ranges: ± 0.635 mm [.05 in]

Linearity: ± 0.25 % of Span

Linear Position Sensor - LVDT/LVIT Housing Material: **Stainless Steel**

Linear Position Sensor - LVDT/LVIT Form Factor: **Cylindrical**

[All MINIATURE LIGHTWEIGHT LVDT \(16\)](#)

Features

Electrical Characteristics

Linear Position Sensor - LVDT/LVIT Supply Voltage	3 V
---------------------------------------------------	-----

Electrical Connections	Leads
------------------------	-------

Signal Characteristics

Excitation Frequency	2 – 20 kHz
----------------------	------------

Body Features

Linear Position Sensor - LVDT/LVIT Form Factor	Cylindrical
------------------------------------------------	-------------

Spring Loaded	Separate Core
---------------	---------------

Housing Features

Housing Diameter	9.52 mm [.375 in]
------------------	-------------------

Linear Position Sensor - LVDT/LVIT Housing Material	Stainless Steel
-----------------------------------------------------	-----------------

Usage Conditions

Operating Temperature Range	-55 – 150 °C [-67 – 302 °F]
-----------------------------	-----------------------------

Industry Standards

IP Rating	IP61
-----------	------

Industry Standards	RoHS
--------------------	------

Other

Full Stroke Ranges	±.635 mm[.05 in]
Linearity	±.25 % of Span

Product Compliance

[For compliance documentation, visit the product page on TE.com>](#)

EU RoHS Directive 2011/65/EU	Compliant
EU ELV Directive 2000/53/EC	Out of Scope
China RoHS 2 Directive MIIT Order No 32, 2016	No Restricted Materials Above Threshold
EU REACH Regulation (EC) No. 1907/2006	Current ECHA Candidate List: JUNE 2023 (235) Candidate List Declared Against: JAN 2023 (233) Does not contain REACH SVHC
Halogen Content	Not Yet Reviewed for halogen content
Solder Process Capability	Not reviewed for solder process capability

Product Compliance Disclaimer

This information is provided based on reasonable inquiry of our suppliers and represents our current actual knowledge based on the information they provided. This information is subject to change. The part numbers that TE has identified as EU RoHS compliant have a maximum concentration of 0.1% by weight in homogenous materials for lead, hexavalent chromium, mercury, PBB, PBDE, DBP, BBP, DEHP, DIBP, and 0.01% for cadmium, or qualify for an exemption to these limits as defined in the Annexes of Directive 2011/65/EU (RoHS2). Finished electrical and electronic equipment products will be CE marked as required by Directive 2011/65/EU. Components may not be CE marked. Additionally, the part numbers that TE has identified as EU ELV compliant have a maximum concentration of 0.1% by weight in homogenous materials for lead, hexavalent chromium, and mercury, and 0.01% for cadmium, or qualify for an exemption to these limits as defined in the Annexes of Directive 2000/53/EC (ELV). Regarding the REACH Regulations, TE's information on SVHC in articles for this part number is still based on the European Chemical Agency (ECHA) 'Guidance on requirements for substances in articles' (Version: 2, April 2011), applying the 0.1% weight on weight concentration threshold at the finished product level. TE is aware of the European Court of Justice ruling of September 10th, 2015 also known as O5A (Once An Article Always An Article) stating that, in case of 'complex object', the threshold for a SVHC must be applied to both the product as a whole and simultaneously to each of the articles forming part of its composition. TE has evaluated this ruling based on the new ECHA "Guidance on requirements for substances in articles" (June 2017, version 4.0) and will be updating its statements accordingly.

Compatible Parts



Also in the Series | [MEAS MHR](#)



LVDT/LVIT Sensors(36)

Customers Also Bought



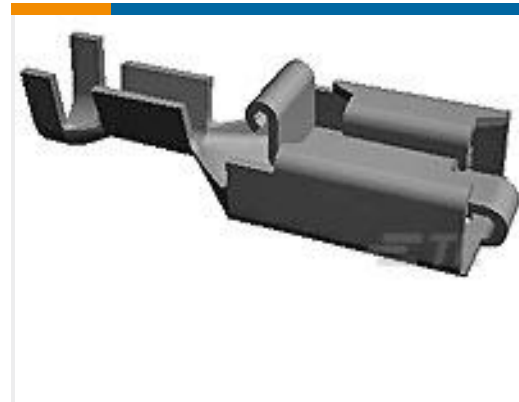
TE Part #66566-7
Pin and Socket Contacts, Type III, LP



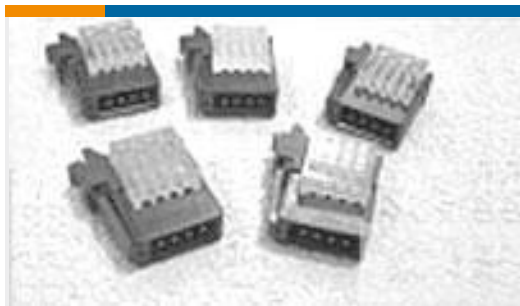
TE Part #20009605-05
FX292X-100A-0025-L



TE Part #1757819-2
AMPLIMITE,ASY,PLUG,STD,109,ZN,2



TE Part #341001-6
PL 250 REC TERMINAL 13-11 PTPB LP



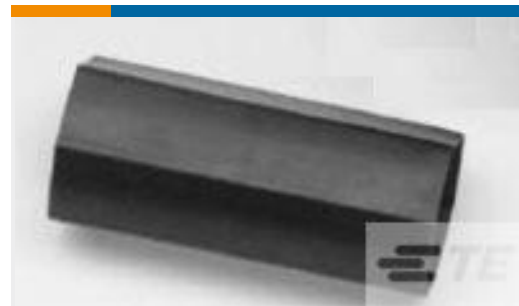
TE Part #1473562-3
RITS CONN. PLUG ASSY 3P YELLOW



TE Part #205166-1
AMPLIMITE,ASY,PLUG,STD,109,3



TE Part #1-1879352-3
RR02 5% 1R0 AMMO



TE Part #CB5150-000
HRSR-200FR-10



TE Part #103642-E
ERBIC BUS E BUS-SYSTEM SYS CAN
HO KN CU

Documents

[Datasheets & Catalog Pages](#)

[Miniature General Purpose AC LVDT](#)

English