

## Enclosure Assembly for PQC250 Series



NB: Image shows use with Molex output connector; however the cover is suitable for use with screwed terminals i.e. PQC250-xxDRT/CRT & MVAC250/400-xxAFT/AFD options

### FEATURES:

- Allows installation in equipment that does not afford protection
- Safety Approval's not impacted
- No derating required
- Allow operation in convection and forced cooled applications
- Multiple mounting orientations
- Galvanized steel corrosion resistant plating
- RoHS Compliant

### MATERIALS PARTS LIST (See View Opposite)

- ① Enclosure Base Item
- ② Enclosure Cover
- ③ Insulator Sheet
- ④ PCB Retaining Screws  
(M3 X 0.5 x 6MM pan head TORX-10 Drive crest cup SEMS)
- ⑤ Cover retain Screws  
(Stainless steel flat 90° TORX-10 Drive M3 X 0.5 x 6MM)

### PRODUCT OVERVIEW

The PQC-COVER<sup>1</sup> is intended as an enclosure for the PQC250 series of open frame products and can be used with the models shown in the Model Usage Table. It is intended for system deployments in a semi open environment and not mounted in a totally enclosed system case (where the product is inaccessible to End Users). It is manufactured from high quality steel and provided with an anti-corrosion coating. The construction also provides an optimized airflow pattern to accommodate both forced and convection cooling deployments; refer to relevant product datasheet for additional details. The PQC-COVER kit is sold separately and it is intended that the End User assembles the cover and open frame product directly.

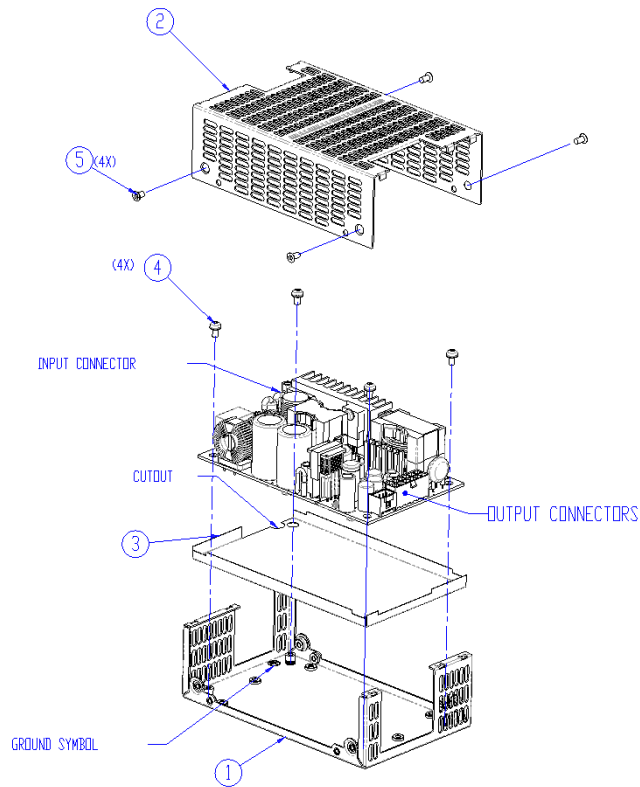
<sup>1</sup>Also suitable for use with the MVAC250/400 Series of products (replacement for MVAC-COVER).

### ORDERING GUIDE

Model Number	Description
PQC-COVER	Enclosure kit for PQC250; MVAC250/400 series

### MODEL USAGE TABLE

PQC250 Models		MVAC250 Models	MVAC400 Models
<a href="https://power.murata.com/en/catalogsearch/result?q=PQC250">https://power.murata.com/en/catalogsearch/result?q=PQC250</a>		<a href="https://power.murata.com/en/catalogsearch/result?q=MVAC">https://power.murata.com/en/catalogsearch/result?q=MVAC</a>	
PQC250-12yyy	PQC250-30yyy	MVAC250-xxF	MVAC400-xxAF
PQC250-18yyy	PQC250-36yyy	MVAC250-xxAF	MVAC400-xxAFD
PQC250-24yyy	PQC250-48yyy	MVAC250-xxAFD	MVAC400-xxAFT
PQC250-28yyy	PQC250-54yyy	MVAC250-xxAFT	MVAC400-xxAFR



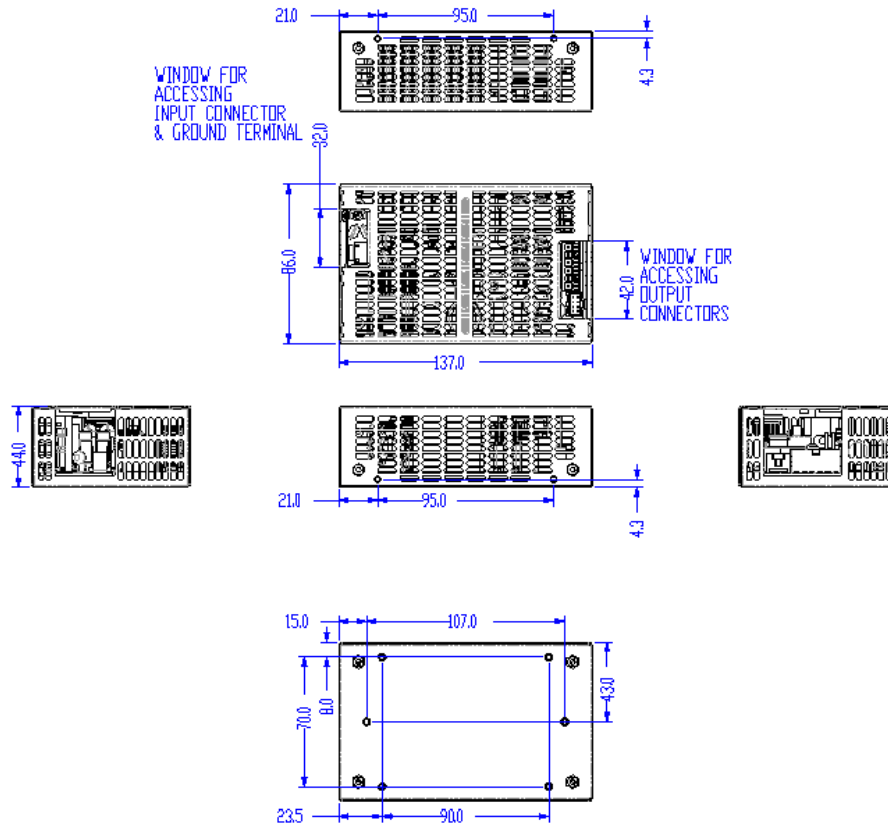
### INSTALLATION INSTRUCTIONS

1. Install the insulator (item ③) in to the chassis base (item ①) taking care to align the "cutout" with the "grounding symbol" (clearly stamped in the chassis) and PEM standoff's and ensuring that the insulator lies flat against the chassis base when properly installed.
2. Lower the PQC250 series power supply into place with the orientation as shown in the above diagram.
3. The mounting holes (slotted holes) should align with the 4 PEM standoffs provided in the chassis base.
4. Install the M3 x 6 pan head screws (item ④)
5. Align the cover with the chassis base (item ①).
6. Secure cover (item ②) to the chassis base with the 4 M3 x 6 countersink screws (item ⑤).
7. Inspect the completed assembly for misalignment (cover, chassis base, insulator or PCB).



For full details go to  
[www.murata-ps.com/rohs](http://www.murata-ps.com/rohs)

MECHANICAL OVERALL DIMENSIONS



Notes

All Dimensions are in mm  
File P/N 610-020-1988-1

SAFETY CONSIDERATIONS

1. Refer to the relevant product datasheet for the product to be deployed with the PQC-COVER assembly.
  2. A protective bonding conductor from the end product protective earthing terminal must be tied to TB1 (Quick connect tab, located as marked on the power supply PCB near input area).
  3. This enclosure can only be used with a Class I deployment and is not suitable for Class II deployment.
  4. Ensure that the insulator is correctly aligned and fits correctly and is flush with the chassis base and that the ground symbol is not blocked.
  5. The chassis standoffs are dimensioned to provide the correct clearance in conjunction with the insulator.
  6. Do not operate the power supply with the cover removed. The primary heatsink is considered a live primary circuit, and must not be touched.
  7. It is the responsibility of the end user to ensure that in all cases, the applicable safety standards are applied to provide the proper creepage and clearance requirements, and to comply with all safety certification requirements of the installed PQC product
  8. Used only in non-tropical conditions
  9. There are a total of ten (10) M3 inserts for mounting the enclosure box:
    - QTY six (6) M3 x 0.5 x L# installed in bottom of chassis
    - QTY four (4) M3 x 0.5 x L## installed in the side walls of the chassis
  10. This product is subject to the following operating requirements and the Life and Safety Critical Application Sales Policy: Refer to: <http://www.murata-ps.com/requirements/>
  11. Chassis & Cover material description:
    - 0.8mm thick Hot Dipped galvanized Steel
    - Grade G60, min. spangle
    - Finished with a CR(6+) free corrosion resistant coating.
- # Select screw length such that the maximum screw penetration is 1.5mm  
## Select screw length such that the maximum screw penetration is 3mm

**This product is subject to the following operating requirements and the Life and Safety Critical Application Sales Policy:**  
**Refer to: <http://www.murata-ps.com/requirements/>**

Murata Power Solutions, Inc. makes no representation that the use of its products in the circuits described herein, or the use of other technical information contained herein, will not infringe upon existing or future patent rights. The descriptions contained herein do not imply the granting of licenses to make, use, or sell equipment constructed in accordance therewith. Specifications are subject to change without notice.  
©2018 Murata Power Solutions, Inc.

Murata Power Solutions, Inc.  
129 Flanders Rd. Westborough, Ma 01581, USA.  
ISO 9001 and 14001 REGISTERED