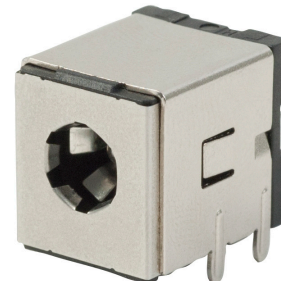


**MODEL:** PJ-080BH | **DESCRIPTION:** DC POWER JACK**FEATURES**

- 10 A current rating
- shielded
- no internal switch

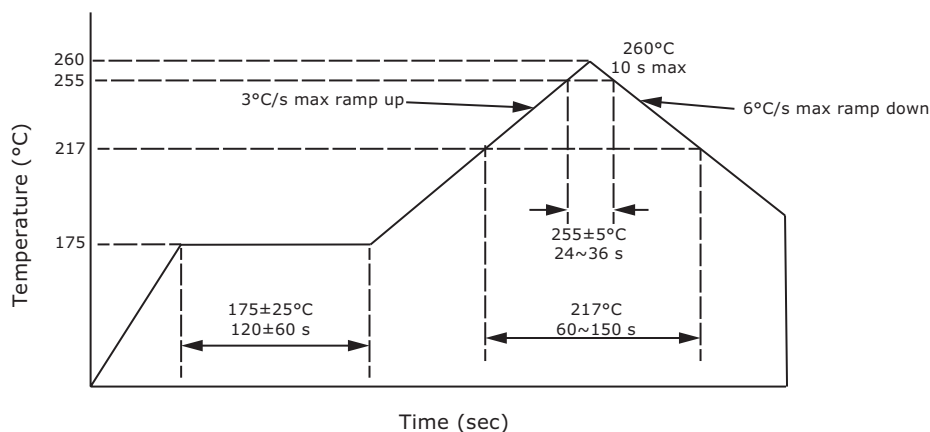
**SPECIFICATIONS**

parameter	conditions/description	min	typ	max	units
rated input voltage			36		Vdc
rated input current				10	A
contact resistance				30	mΩ
insulation resistance	at 500 Vdc	100			MΩ
voltage withstand	for 1 minute			500	Vac
insertion/withdrawal force		0.3		3	kg
operating temperature		-25		85	°C
storage temperature		-40		85	°C
life			5,000		cycles
flammability rating	UL94V-0				
RoHS	yes				

**SOLDERABILITY**

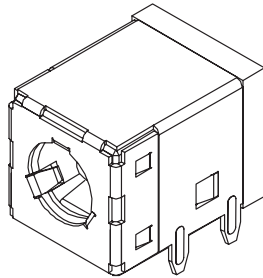
parameter	conditions/description	min	typ	max	units
reel storage	reel opened & unused parts repacked within 2 hours: ≤30°C, ≤60% humidity reel unopened, 1 year shelf life: ≤30°C, ≤85% humidity				
reflow soldering	see reflow profile			260	°C
drying conditions	parts removed from reel over 6 hours: bake at 40°C for 6 hours				

Note: 1. CUI Devices recommends usage of the product within 2 hours after T&R is opened. After 6 hours, CUI Devices recommends drying the parts prior to use.

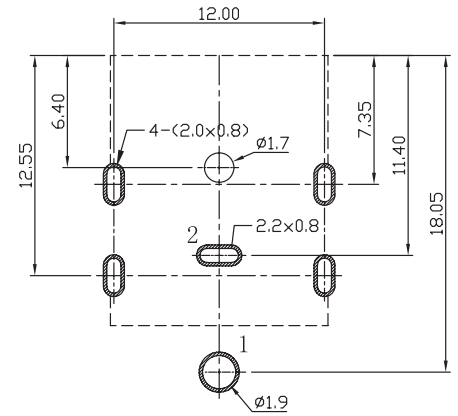
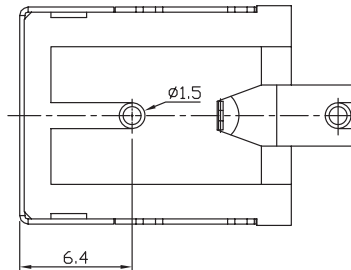
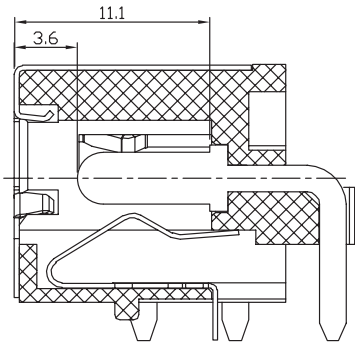
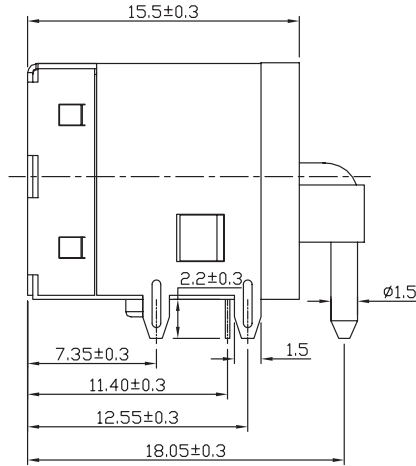
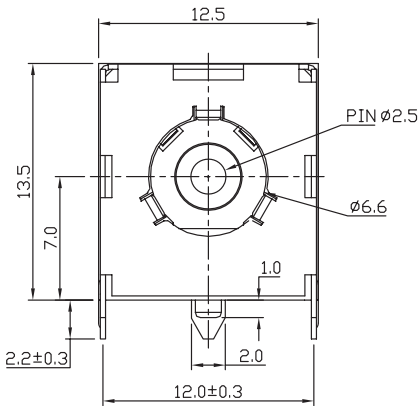


## MECHANICAL DRAWING

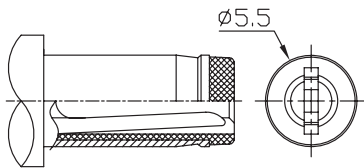
units: mm  
 tolerance:  $\pm 0.15$  mm  
 unless otherwise specified



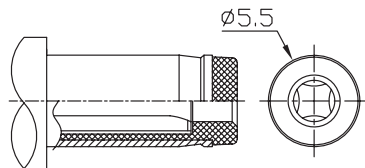
DESCRIPTION	MATERIAL	PLATING/COLOR
center pin	brass	nickel
terminal 1	brass	nickel
terminal 2	bronze	nickel
shield	brass	nickel
housing	PA9T (UL94V-0)	black



Recommended PCB Layout  
 Top View



MATING PLUG  
 Rating: 36 Vdc, 7 A



MATING PLUG  
 Rating: 36 Vdc, 10 A

Jack Insertion Depth: 11.1 mm

Schematic	
Model	Center Pin
PJ-080BH	$\varnothing 2.5$ mm



## REVISION HISTORY

rev.	description	date
1.0	initial release	03/07/2012
1.01	increased voltage rating	05/02/2016
1.02	increased voltage rating, added storage and drying conditions, and tape and reel packaging details	10/06/2017
1.03	brand update	10/31/2019
1.04	product reengineered for improved manufacturability and production yield, see PCN for details	04/14/2023

The revision history provided is for informational purposes only and is believed to be accurate.



CUI Devices offers a one (1) year limited warranty. Complete warranty information is listed on our website.

CUI Devices reserves the right to make changes to the product at any time without notice. Information provided by CUI Devices is believed to be accurate and reliable. However, no responsibility is assumed by CUI Devices for its use, nor for any infringements of patents or other rights of third parties which may result from its use.

CUI Devices products are not authorized or warranted for use as critical components in equipment that requires an extremely high level of reliability. A critical component is any component of a life support device or system whose failure to perform can be reasonably expected to cause the failure of the life support device or system, or to affect its safety or effectiveness.

[cuidevices.com](http://cuidevices.com)