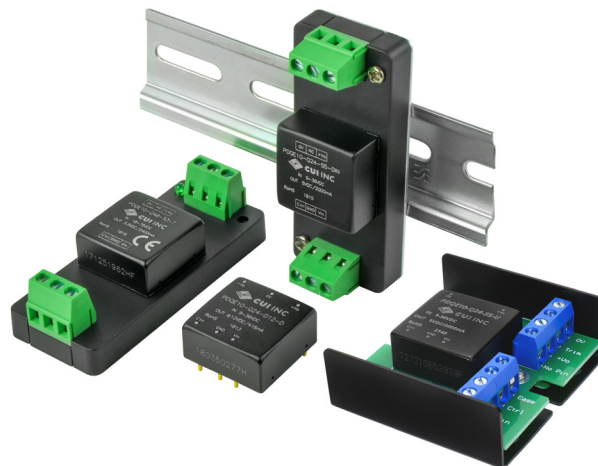


**SERIES: PDQE10 | DESCRIPTION: DC-DC CONVERTER**
**FEATURES**

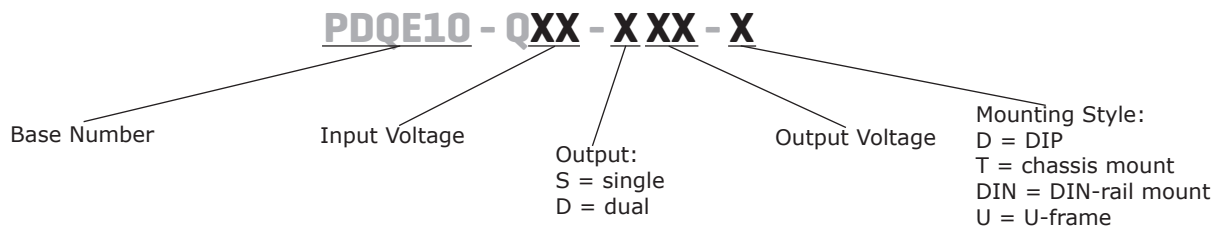
- industry standard footprint
- board, chassis and Din rail versions available
- industrial operating temp -40~+85°C
- 1500 Vdc isolation voltage
- industry standard footprint compatible with CUI legacy PDQ10 series
- high efficiency up to 88%
- 4:1 input rating
- single & dual output models available
- output short circuit, over current & overvoltage protection
- EN/BS EN 62368-1



MODEL	input voltage		output voltage (Vdc)	output current		output power max (W)	ripple & noise <sup>1</sup> max (mVp-p)	efficiency <sup>2</sup> typ (%)
	typ (Vdc)	range (Vdc)		min (mA)	max (mA)			
PDQE10-Q24-S3 <sup>5,6</sup>	24	9~36	3.3	0	2400	7.92	80	79
PDQE10-Q24-S5 <sup>5,6</sup>	24	9~36	5	0	2000	10	80	83
PDQE10-Q24-S9 <sup>5,6</sup>	24	9~36	9	0	1111	10	80	86
PDQE10-Q24-S12 <sup>5,6</sup>	24	9~36	12	0	833	10	80	87
PDQE10-Q24-S15 <sup>5,6</sup>	24	9~36	15	0	667	10	80	87
PDQE10-Q24-S24 <sup>5,6</sup>	24	9~36	24	0	416	10	80	88
PDQE10-Q24-D5 <sup>3,5,6</sup>	24	9~36	±5	0	±1000	10	80	83
PDQE10-Q24-D9 <sup>3,5,6</sup>	24	9~36	±9	0	±555	10	80	86
PDQE10-Q24-D12 <sup>3,5,6</sup>	24	9~36	±12	0	±416	10	80	87
PDQE10-Q24-D15 <sup>3,5,6</sup>	24	9~36	±15	0	±333	10	80	87
PDQE10-Q24-D24 <sup>3,5,6</sup>	24	9~36	±24	0	±208	10	80	87
PDQE10-Q48-S3 <sup>6</sup>	48	18~75	3.3	0	2400	7.92	80	79
PDQE10-Q48-S5 <sup>6</sup>	48	18~75	5	0	2000	10	80	83
PDQE10-Q48-S12 <sup>6</sup>	48	18~75	12	0	833	10	80	87
PDQE10-Q48-S15 <sup>6</sup>	48	18~75	15	0	667	10	80	87
PDQE10-Q48-S24 <sup>6</sup>	48	18~75	24	0	416	10	80	88
PDQE10-Q48-D5 <sup>6</sup>	48	18~75	±5	0	±1000	10	80	83
PDQE10-Q48-D12 <sup>6</sup>	48	18~75	±12	0	±416	10	80	87
PDQE10-Q48-D15 <sup>6</sup>	48	18~75	±15	0	±333	10	80	87
PDQE10-Q48-D24 <sup>6</sup>	48	18~75	±24	0	±208	10	80	87

- Notes:
1. From 5~100% load, nominal input, 20 MHz bandwidth oscilloscope, with 10  $\mu$ F tantalum and 1  $\mu$ F ceramic capacitors on the output. From 0~5% load, ripple and noise is <5%  $V_o$ .
  2. Measured at nominal input voltage, full load. The typical efficiencies for the chassis mount and DIN-rail mount versions are ~2% less than the DIP versions due to the input reverse polarity protection.
  3. In addition to all DIP versions, chassis mount and DIN-rail mount versions of these models are UL approved.
  4. All specifications are measured at  $T_a=25^\circ\text{C}$ , humidity < 75%, nominal input voltage, and rated output load unless otherwise specified.
  5. Model is not CE certified.
  6. U-frame model is not UL certified.

## PART NUMBER KEY



## INPUT

parameter	conditions/description	min	typ	max	units	
operating input voltage <sup>5</sup>	24 Vdc input models	9	24	36	Vdc	
	48 Vdc input models	18	48	75	Vdc	
start-up voltage <sup>5</sup>	24 Vdc input models			9	Vdc	
	48 Vdc input models			18	Vdc	
surge voltage	for maximum of 1 second					
	24 Vdc input models	-0.7		50	Vdc	
	48 Vdc input models	-0.7		100	Vdc	
under voltage shutdown	24 Vdc input models	5.5	6.5		Vdc	
	48 Vdc input models	12	15.5		Vdc	
current (full load/no load)	24 Vdc input models		3.3 Vdc output models	423/5	434/12	mA
			all other models	502/5	514/12	mA
	48 Vdc input models		3.3 Vdc output models	190/4	215/8	mA
			all other models	251/4	258/8	mA
remote on/off (CTRL) <sup>6</sup>	module ON (3.5~12 Vdc or CTRL pin open circuit or pulled high)					
	module OFF (0~1.2 Vdc CTRL pin pulled low to GND)					
	converter input current when CTRL pin pulled low		6	10	mA	
	CTRL pin input current when CTRL pin pulled low		1.5		mA	
	start-up time		2		s	
filter	Pi filter					
input reverse polarity protection	only present on chassis mount and DIN-rail mount models					
no load power consumption			0.12		W	

Notes: 5. The minimum input voltage and start-up voltage for the chassis mount and DIN-rail mount versions are 1 Vdc higher than the DIP versions.  
6. The voltage of the Ctrl pin is referenced to input GND pin.

## OUTPUT

parameter	conditions/description	min	typ	max	units
maximum capacitive load <sup>7</sup>	3.3, 5 Vdc output models			2,200	μF
	±5 Vdc output models			1,000	μF
	9, ±9 Vdc output models			680	μF
	±12 Vdc output models			470	μF
	±15 Vdc output models			330	μF
	all other models			100	μF
voltage accuracy <sup>8</sup>	0% to full load		±1	±3	%
line regulation	from low line to high line, full load				
	positive outputs		±0.2	±0.5	%
	negative outputs		±0.5	±1	%
load regulation <sup>9</sup>	from 5% to full load				
	positive outputs		±0.5	±1	%
	negative outputs		±0.5	±1.5	%
voltage balance <sup>10</sup>	dual output models			±5	%

Note: 7. Tested at input voltage range and full load.  
8. At 0~5% load, the max output voltage accuracy for the ±5 & ±9 Vdc output models is ±5%.  
9. At 0~100% load, the max load regulation is ±5%.  
10. Unbalanced loads should not exceed ±5%. If ±5% is exceeded, the product performance cannot be guaranteed.

**OUTPUT (CONTINUED)**

parameter	conditions/description	min	typ	max	units
cross regulation	dual output models: main output 50% load secondary output from 10~100% load			±5	%
switching frequency <sup>11</sup>	PWM mode		350		kHz
transient recovery time	25% load step change, nominal input voltage		300	500	µs
transient response deviation	PDQE10-Q48-S3	25% load step change, nominal input voltage	±5	±8	%
	all other models	25% load step change, nominal input voltage	±3	±5	%
temperature coefficient	at full load			±0.03	%/°C

Note: 11. Value is based on full load. At loads <10%, the switching frequency decreases with decreasing load

**PROTECTIONS**

parameter	conditions/description	min	typ	max	units
over voltage protection		110		160	%
over current protection		110	140	190	%
short circuit protection	continuous, self recovery				

**SAFETY AND COMPLIANCE**

parameter	conditions/description	min	typ	max	units
isolation voltage	input to output for 1 minute at 1 mA	1,500			Vdc
isolation resistance	input to output at 500 Vdc	1,000			MΩ
isolation capacitance	input to output, 100 kHz / 0.1 V		1,000		pF
safety approvals <sup>12</sup>	certified to 60950-1: UL <sup>13</sup> certified to 62368: EN/BS EN				
conducted emissions	CISPR22/EN55022, class A (no external circuit); class B (external circuit required, see Figure 3-2)				
radiated emissions	CISPR22/EN55022, class A (no external circuit); class B (external circuit required, see Figure 3-2)				
ESD	IEC/EN61000-4-2, contact ± 4kV, class B				
radiated immunity	IEC/EN61000-4-3, 10V/m, class A				
EFT/burst	IEC/EN61000-4-4, ± 2kV, class B (external circuit required, see Figure 3-1)				
surge	IEC/EN61000-4-5, line-line ± 2kV, class B (external circuit required, see Figure 3-1)				
conducted immunity	IEC/EN61000-4-6, 3 Vr.m.s, class A				
voltage dips & interruptions	IEC/EN61000-4-29, 0%-70%, class B				
MTBF	as per MIL-HDBK-217F, 25°C	1,000,000			hours
RoHS	yes				

Note: 12. See specific chassis mount and DIN-rail mount versions with UL approval on page 1.

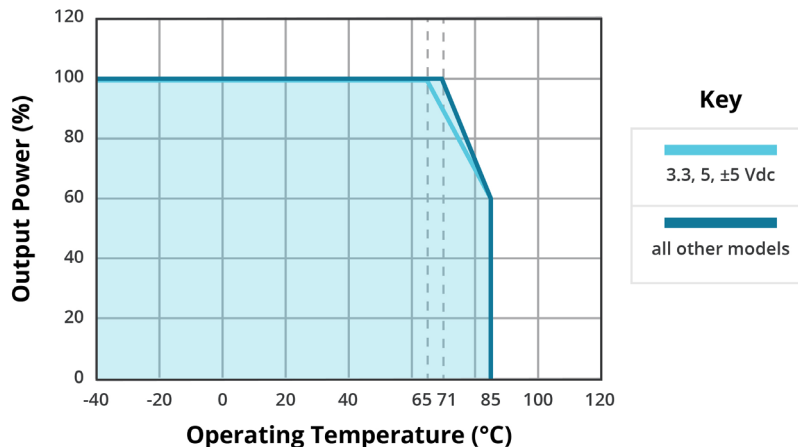
13. The U-frame models are not UL certified.

## ENVIRONMENTAL

parameter	conditions/description	min	typ	max	units
operating temperature	see derating curves	-40		85	°C
storage temperature		-55		125	°C
storage humidity	non-condensing	5		95	%
vibration	10~55 Hz for 30 minutes on each axis		10		G

## DERATING CURVES

**TEMPERATURE DERATING CURVE**

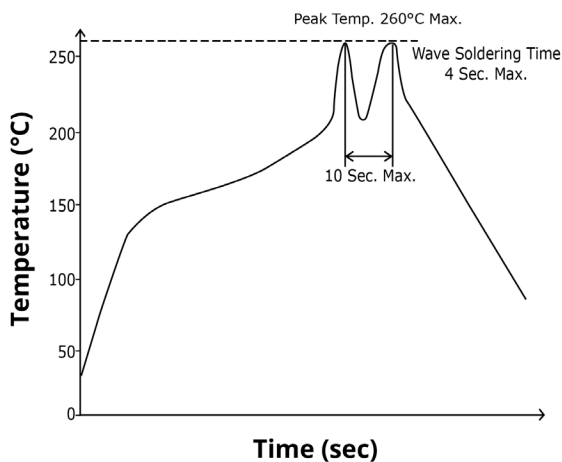


## SOLDERABILITY<sup>13</sup>

parameter	conditions/description	min	typ	max	units
hand soldering	1.5 mm from case for 10 seconds			300	°C
wave soldering	see wave soldering profile			260	°C

Note: 13. For DIP models only.

**WAVE SOLDERING PROFILE**



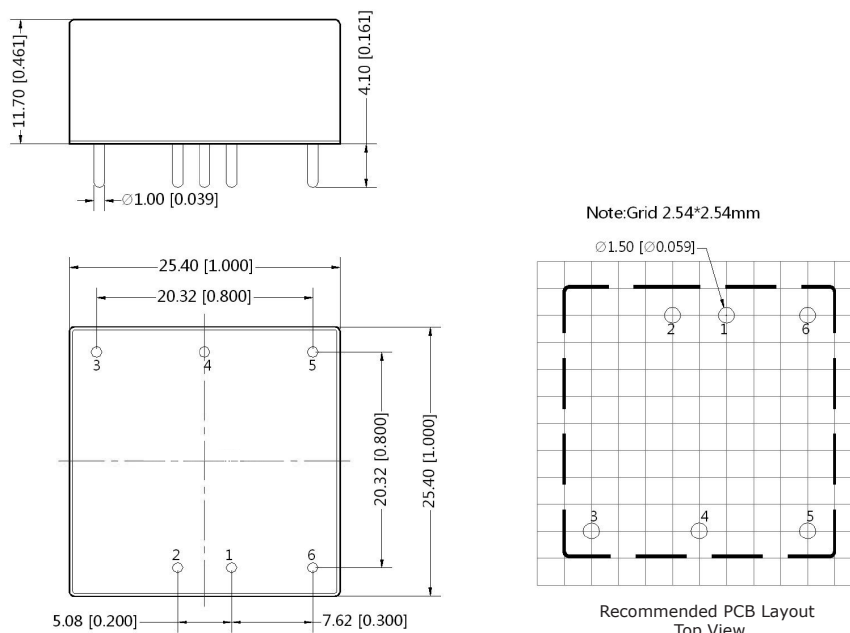
## MECHANICAL

parameter	conditions/description	min	typ	max	units
dimensions	DIP	25.40 x 25.40 x 11.70 [1.000 x 1.000 x 0.461 inch]			mm
	Chassis	76.00 x 31.50 x 21.20 [2.992 x 1.240 x 0.834 inch]			mm
	DIN-Rail	76.00 x 31.50 x 25.80 [2.992 x 1.240 x 1.016 inch]			mm
	U-frame	55.00 x 52.30 x 19.00 [2.165 x 2.059 x 0.748 inch]			mm
case material	aluminum alloy				
weight	DIP		15		g
	Chassis mount		35		g
	DIN-rail mount		55		g
	U-frame		44		g

## MECHANICAL DRAWING (DIP)

units: mm [inch]  
 tolerance:  $\pm 0.50[\pm 0.020]$   
 pin diameter tolerance:  $\pm 0.10[\pm 0.004]$

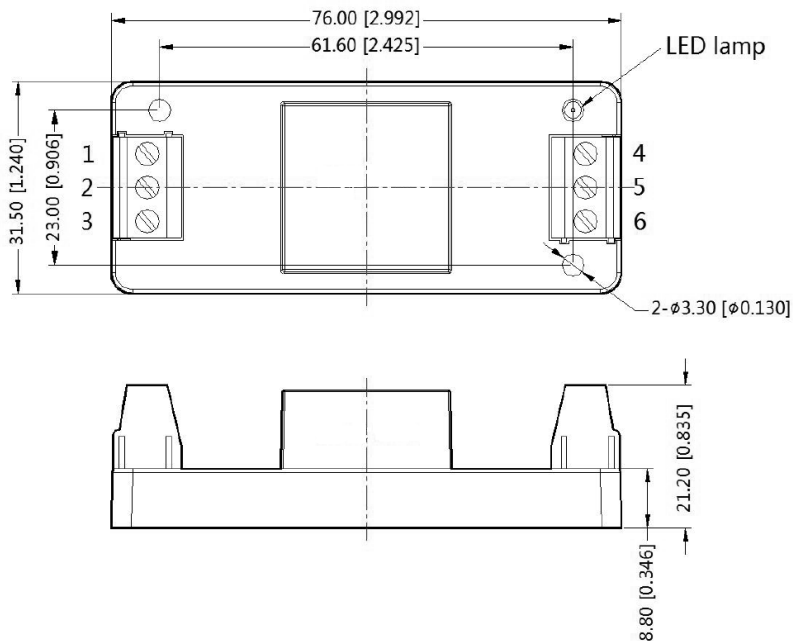
PIN CONNECTIONS		
PIN	Function	
	Single	Dual
1	GND	GND
2	Vin	Vin
3	+Vout	+Vout
4	No Pin	0V
5	0V	-Vout
6	CTRL	CTRL



## MECHANICAL DRAWING (CHASSIS)

units: mm [inch]  
 tolerance:  $\pm 0.50[\pm 0.020]$   
 wire range: 24~12 AWG  
 tightening torque: max 0.4 N\*m

PIN CONNECTIONS		
PIN	Function	
	Single	Dual
1	CTRL	CTRL
2	GND	GND
3	Vin	Vin
4	0V	-Vout
5	NC	0V
6	+Vout	+Vout

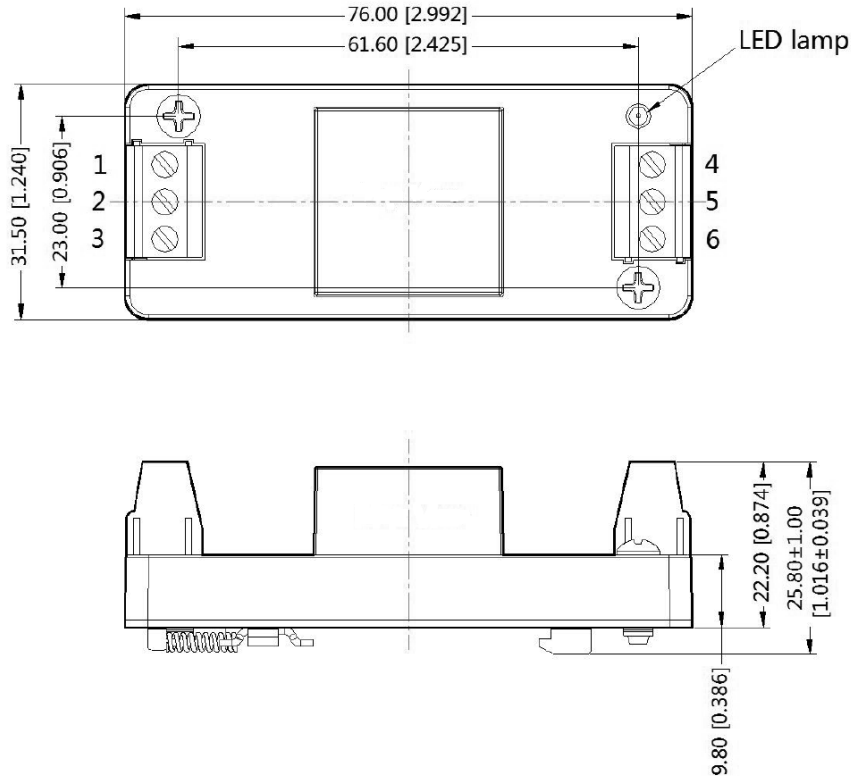


## MECHANICAL DRAWING (DIN-RAIL)

units: mm [inch]  
tolerance:  $\pm 0.50[\pm 0.020]$

installed on DIN rail TS35  
wire range: 24~12 AWG  
tightening torque: max 0.4 N\*m

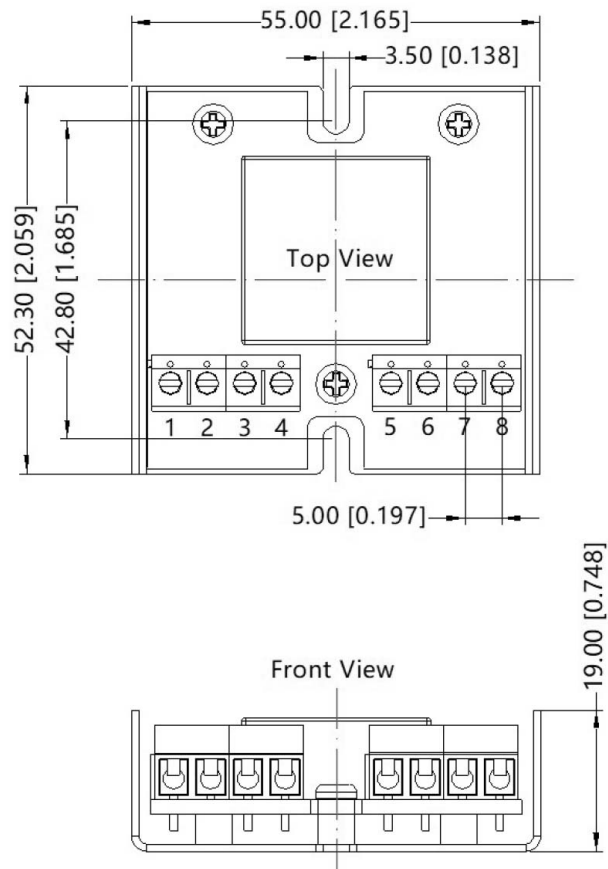
PIN CONNECTIONS		
PIN	Function	
	Single	Dual
1	CTRL	CTRL
2	GND	GND
3	Vin	Vin
4	0V	-Vout
5	NC	0V
6	+Vout	+Vout



## MECHANICAL DRAWING (U-FRAME)

units: mm [inch]  
wire range: 24-12 AWG  
tolerance:  $\pm 1.00[\pm 0.039]$   
tightening torque: Max 0.4 N·m

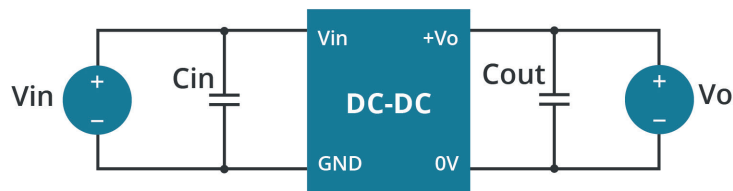
PIN CONNECTIONS		
PIN	Function	
	Single	Dual
1	GND	GND
2	Vin	Vin
3	Ctrl	Ctrl
4	Case	Case
5	NC	NC
6	+Vo	+Vo
7	NC	0V
8	0V	-Vo



## APPLICATION CIRCUIT (DIP, CHASSIS, DIN-RAIL)

This series has been tested according to the following recommended circuits (Figures 1 & 2) before leaving the factory. If you want to further reduce the input and output ripple, you can increase the input and output capacitors or select capacitors of low equivalent impedance provided that the capacitance is less than the maximum capacitive load of the model.

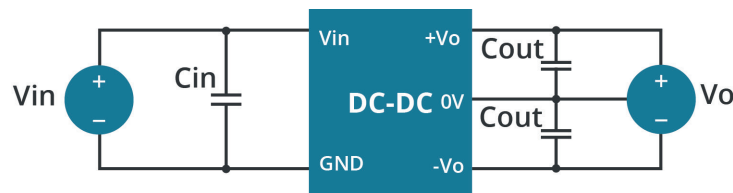
**Figure 1**  
Single Output Models



**Table 1**

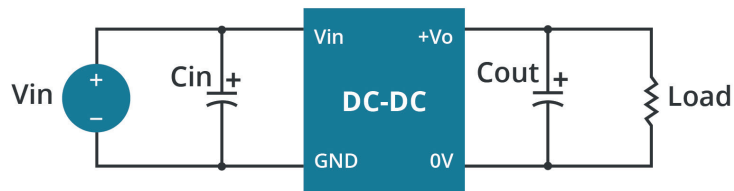
Vin (Vdc)	Cin (μF)	Cout (μF)
24	100	10
48	10~47	10

**Figure 2**  
Dual Output Models



## APPLICATION CIRCUIT (U-FRAME)

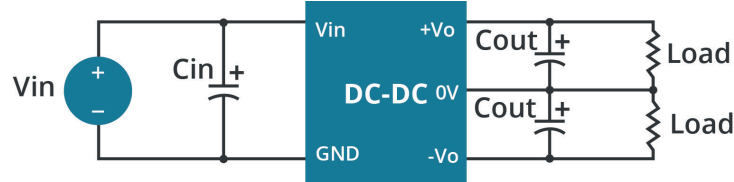
**Figure 1**  
Single Output Models



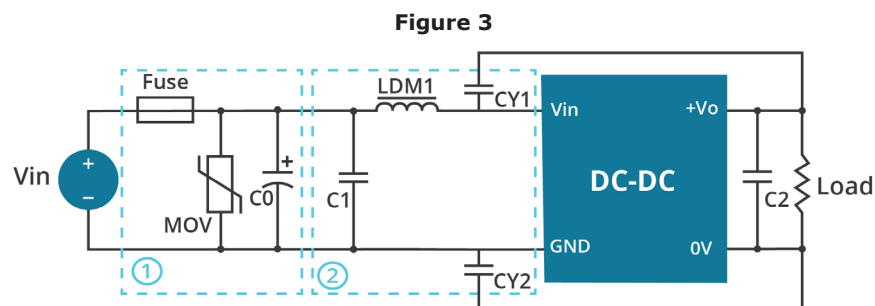
**Table 1**

Vin (Vdc)	Cin (μF/V)	Vout (Vdc)	Cout (μF/V)
24	100/50	±5/±9/3.3/5/9	10/16
		±12/±15/12/15	10/25
		±24/24	10/50
48	10~47/100	±5/3.3/5	10/16
		±12/±15/12/15	10/25
		±24/24	10/50

**Figure 2**  
Dual Output Models



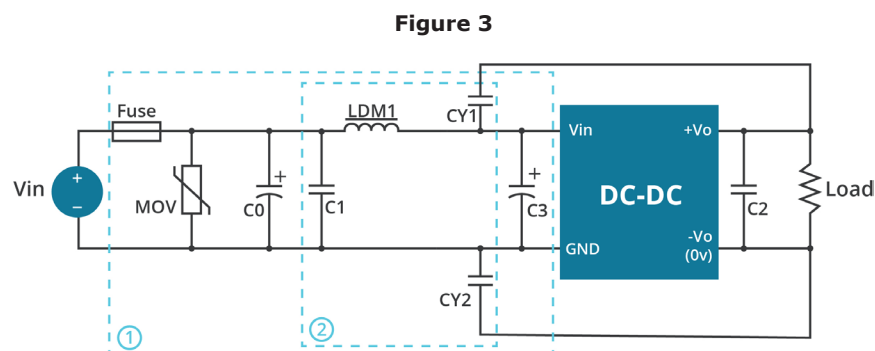
## EMC RECOMMENDED CIRCUIT (DIP, CHASSIS, DIN-RAIL)



**Table 2**

Recommended External Circuit Components		
Vin (Vdc)	24	48
FUSE	choose according to actual input current	
MOV	S20K30	S14K60
C0	330 $\mu$ F / 50 V	330 $\mu$ F / 100 V
C1	1 $\mu$ F / 50 V	1 $\mu$ F / 100 V
C2	10 $\mu$ F	
LDM1	4.7 $\mu$ H	
CY1, CY2	1 nF / 2 kV	

## EMC RECOMMENDED CIRCUIT (U-FRAME)



**Table 2**

Recommended External Circuit Components		
Vin (Vdc)	24	48
FUSE	choose according to actual input current	
MOV	S20K30	S14K60
C0/C3	330 $\mu$ F / 50V	330 $\mu$ F / 100V
C1	1 $\mu$ F / 50V	1 $\mu$ F / 100V
C2	refer to the Cout in Figure 1 & 2	
LDM1	4.7 $\mu$ H	
CY1, CY2	1nF / 2kV	



## REVISION HISTORY

rev.	description	date
1.0	initial release	06/21/2018
1.01	features and safety line updated, packaging removed	01/19/2021
1.02	remote start-up time updated	03/15/2021
1.03	derating curve and circuit figure updated	07/27/2021
1.04	CE removed from 24V models, U-frame option added	11/07/2022
1.05	ctrl pin information updated	11/11/2022
1.06	transient response deviation updated for PDQE10-Q48-S3	09/07/2023

The revision history provided is for informational purposes only and is believed to be accurate.



**CUI INC**  
a bel group

**Headquarters**  
20050 SW 112th Ave.  
Tualatin, OR 97062  
**800.275.4899**

Fax 503.612.2383  
**cui.com**  
techsupport@cui.com

CUI offers a two (2) year limited warranty. Complete warranty information is listed on our website.

CUI reserves the right to make changes to the product at any time without notice. Information provided by CUI is believed to be accurate and reliable. However, no responsibility is assumed by CUI for its use, nor for any infringements of patents or other rights of third parties which may result from its use.

CUI products are not authorized or warranted for use as critical components in equipment that requires an extremely high level of reliability. A critical component is any component of a life support device or system whose failure to perform can be reasonably expected to cause the failure of the life support device or system, or to affect its safety or effectiveness.