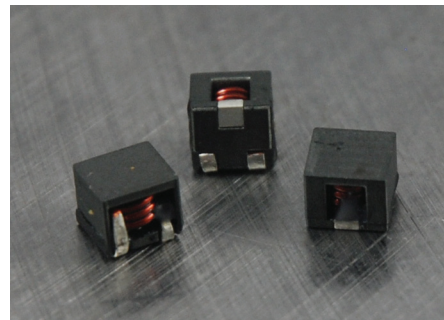




SMD POWER INDUCTOR

PCEC0706-1R0M

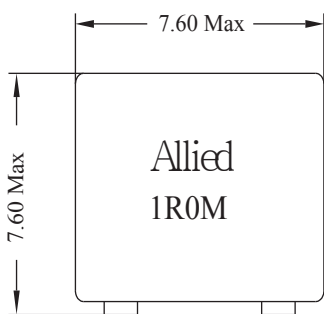


- Operating Temperature -40° to +130°C

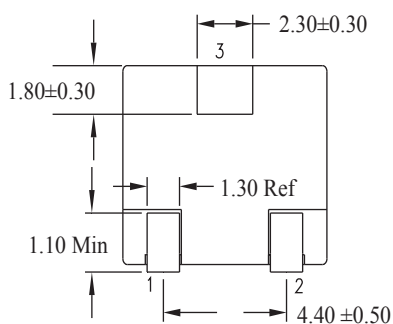
Electrical Specifications @25°C		
Inductance @100 KHz,0.1V L (1 - 2)	Inductance @100 KHz,0.1V Lsat	DC Resistance R (1 - 2)
1.0uH ± 20%	70% of L0 @ Isat (17.A Ref)	2.3mΩ ± 8%

All specifications subject to change without notice.

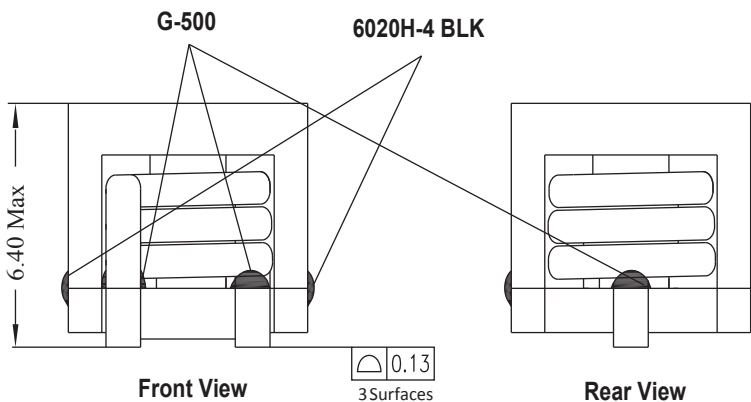
Dimensions: mm



Top View



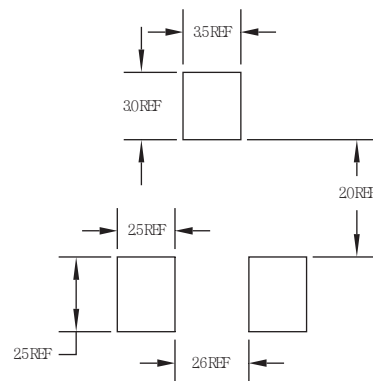
Bottom View



Front View

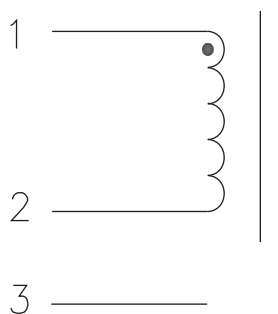
Rear View

Suggested Land Pattern





SCHEMATICS



Inductance vs Frequency

