

6

5

4

3

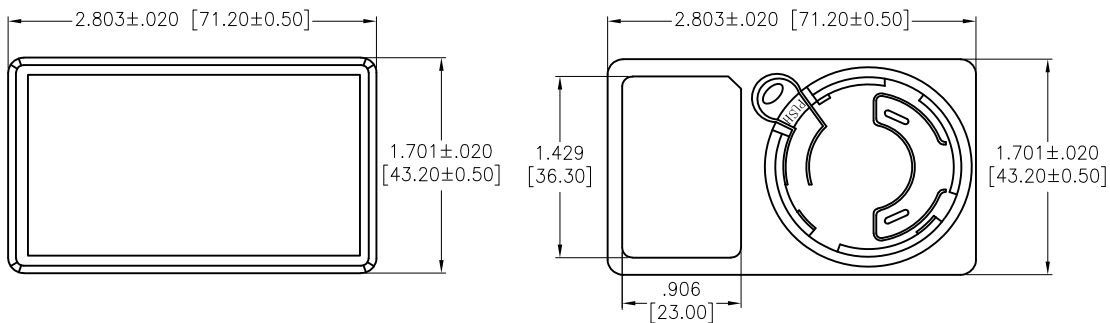
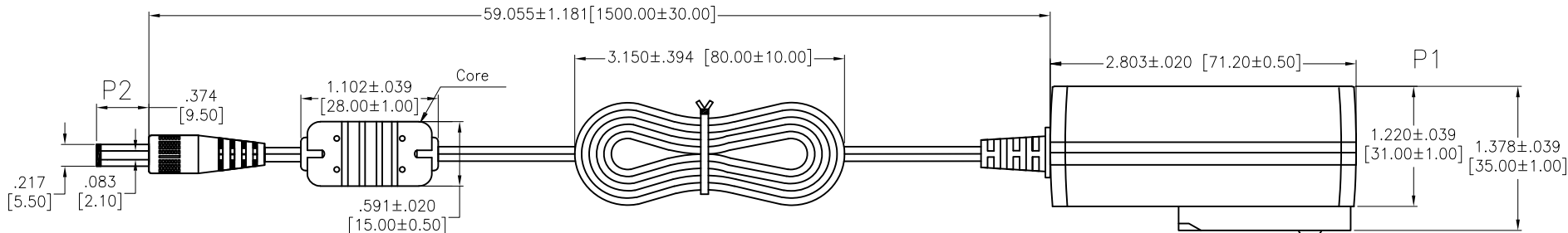
2

1

APPROVED: _____

DATE: _____ TITLE: _____

Rev	AWO #	Description	Date	Appr
-		RELEASED	3/22/21	
A		ADDED TOLERANCE	6/10/21	WX/AC
B		UPDATE LABEL	7/19/21	WX/AC



SPECIFICATIONS:

Connector

P1: Power Adapter, W/Strain

P2: DC Plug, W/Strain Relief, AC PIN: Brass Nickel plated 5.5*2.1*9.5mm
Overmold Color: Black PVC-45P

CABLE:

UL2468: 20AWG*2C 80°C, Jacket Color: Black

Electrical:

Input:

Voltage: 100Vac to 240Vac
Current: 1.5A Max. @ 100Vac input & max load
Frequency: 50Hz / 60Hz

Output:

Voltage: 9V
Current: 2.2A max.
Load Regulation: ±5%
Line Regulation: ±3%

Line Load Regulation-Output Rate: 9V, 2.2A

Insulation Resistance: 100 Mohms min @ 500VDC

Dielectric withstanding voltage (Hi-pot): 3,000V AC For 1 Minute

Leakage Current: 0.25mA max. @ 240V AC/50Hz

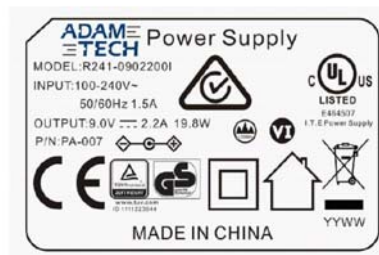
Temperature Rating:

Operating Temperature: 0°C to +45°C

Storage Temperature: -25°C to +85°C

Environmental:

Lead free, RoHS compliant.



SEE SHT 2 OF 2 FOR PLUG TYPE OPTIONS

UNLESS OTHERWISE SPECIFIED ALL DIMENSIONS ARE INCHES [MM] TOLERANCES: EXCEPT AS NOTED INCHES HOLES		 909 Rahway Avenue, Union, NJ 07083 Phone: 908-687-5000 Fax: 908-687-5710	
.X ± .10	∅.X ± .10		
.XX ± .020	∅.XX ± .015	TITLE: POWER ADAPTER TO DC PLUG, COLOR BLACK 9 VOLT, 2.2AMP, UL2468 20AWG, 5.5X2.1X9.5MM	
.XXX ± .015	∅.XXX ± .010	SIZE: X	PART NO.: PA-007-X
APPROVALS		REV. B	REF:
DRAWN: WX	DATE: 3/22/21	SCALE: NTS SHEET 1 OF 2	
CHECKED: AC	DATE: 3/22/21		
APPROVED:			

6

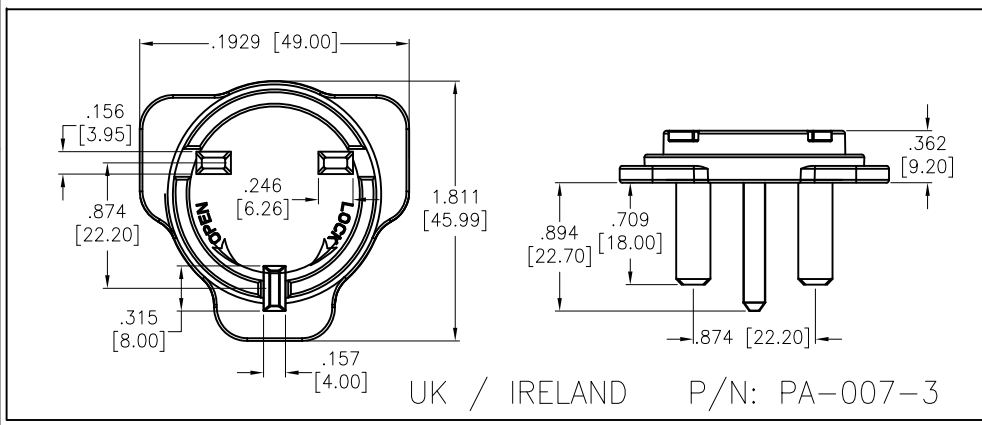
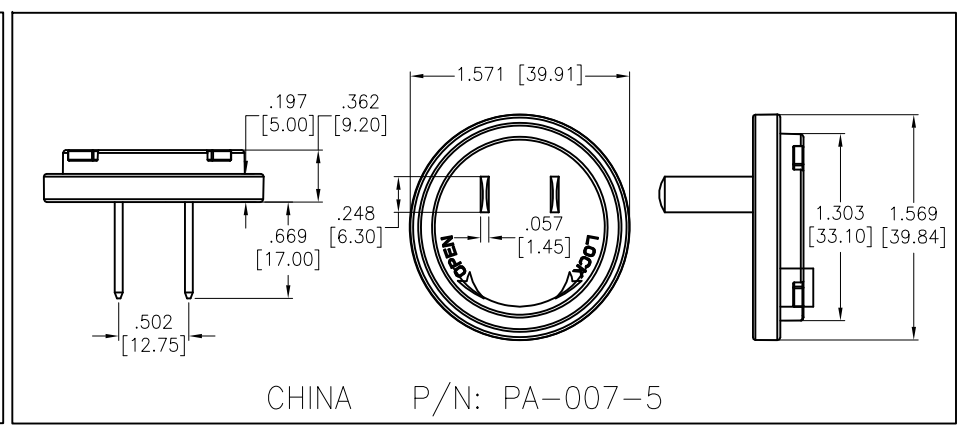
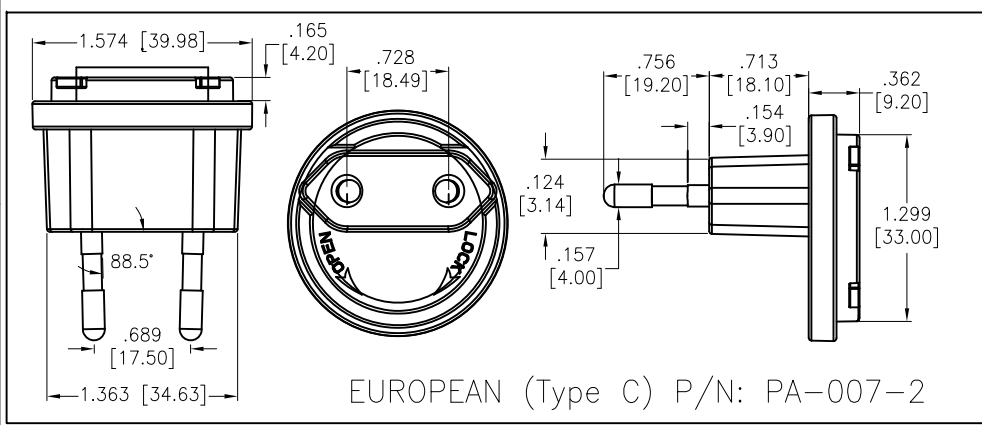
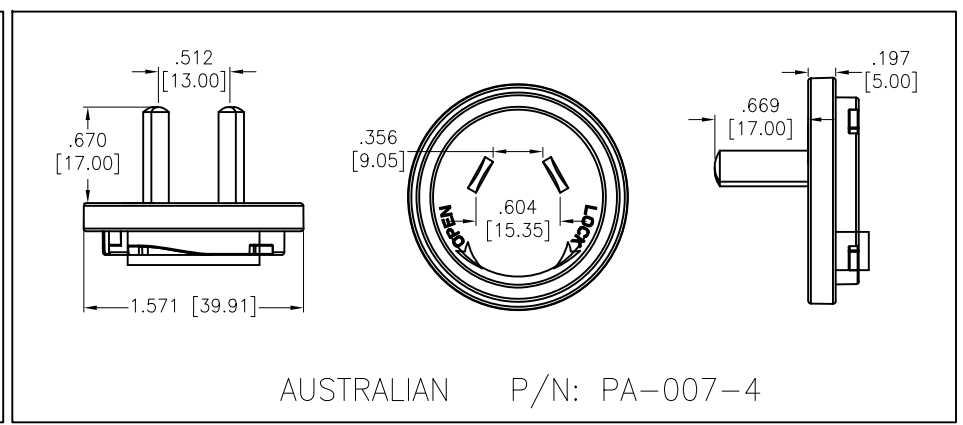
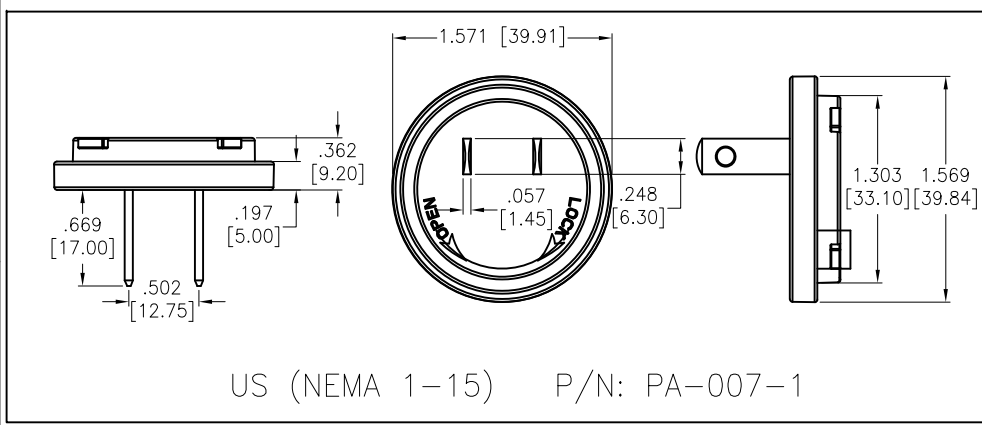
5

4

3

2

1



UNLESS OTHERWISE SPECIFIED
ALL DIMENSIONS ARE INCHES [MM]
TOLERANCES: EXCEPT AS NOTED

.X ± .10	∅X ± .10
.XX ± .020	∅XX ± .015
.XXX ± .015	∅XXX ± .010

INCHES HOLES

APPROVALS	DATE
DRAWN WX	3/22/21
CHECKED AC	3/22/21
APPROVED	

909 Rahway Avenue,
Union, NJ 07083
Phone: 908-687-5000
Fax: 908-687-5710

TITLE			
POWER ADAPTER TO DC PLUG, COLOR BLACK 9 VOLT, 2.2AMP, UL2468 20AWG, 5.5X2.1X9.5MM			
SIZE	PART NO.	REV.	
X	PA-007-X	B	
REF:	SCALE: NTS	SHEET 2 OF 2	