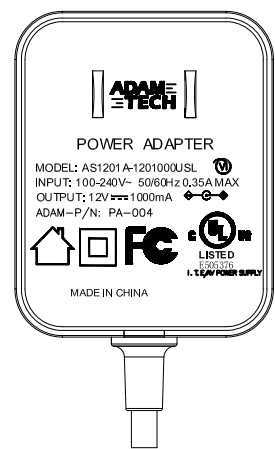
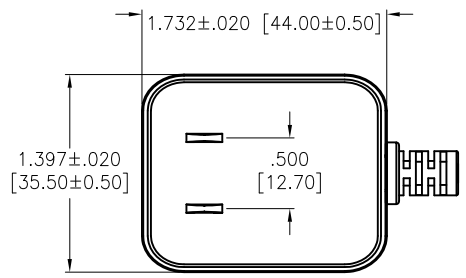
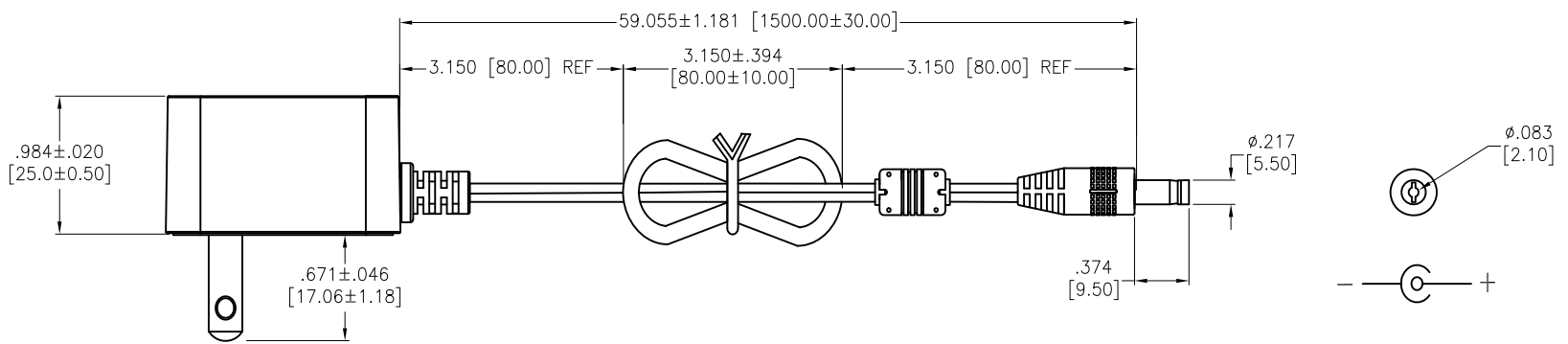


APPROVED: _____
 DATE: _____ TITLE: _____

Rev	AWO #	Description	Date	Appr
-		RELEASED	3/19/21	
A		ADDED TOLERANCE	6/10/21	WX/AC
B		UPDATE SPEC.	11/30/22	LH/SL1



SPECIFICATIONS:

Connector
P1: Power Adapter
P2: DC Plug, W/Strain Relief, 5.5*2.1*9.5mm
 Overmold Color: Black PVC-65P
 CABLE:
 UL2468: 22AWG(17*0.16)*2C 80°C 300V VW-1, Jacket Color: Black
 Electrical:
Input:
 Voltage: 100Vac to 240Vac
 Current: 0.35A Max. @ 100Vac input & max load
 Frequency: 60Hz / 50Hz
Output:
 Voltage: 12.0V
 Current: 1.0A max.
 Load Regulation: ±5%
 Line Regulation: ±3%
 Insulation Resistance: 10 Mohms min @ 500VDC
 Dielectric withstanding voltage (Hi-pot): 3,000V AC For 1 Minute
 Leakage Current: 0.25mA max. @ 230V AC/50Hz
 Temperature Rating:
 Operating Temperature: 0°C to +40°C
 Storage Temperature: -40°C to +70°C
 Environmental:
 Lead free, RoHS compliant.



UNLESS OTHERWISE SPECIFIED ALL DIMENSIONS ARE INCHES [MM]. TOLERANCES: EXCEPT AS NOTED

INCHES		HOLES	
.X	± .10	Ø.X	± .10
.XX	± .020	Ø.XX	± .015
.XXX	± .015	Ø.XXX	± .010

ADAM TECH 909 Rahway Avenue,
 Union, NJ 07083
 Phone: 908-687-5000
 Fax: 908-687-5710

DRAWN	WX	3/19/21
CHECKED	AC	3/19/21
APPROVED		

TITLE
POWER ADAPTER, NEMA 1-15 TO 2.1 X 5.5 X 9.5 DC PLUG, 12 VOLT, 1 AMP, UL2468 22 AWG

THIS DRAWING CONTAINS INFORMATION THAT IS PROPRIETARY AND SHOULD NOT BE USED WITHOUT PRIOR WRITTEN PERMISSION FROM ADAM TECH

SIZE X	PART NO. PA-004	REV. B
REF: -	SCALE: NTS	SHEET 1 OF 1