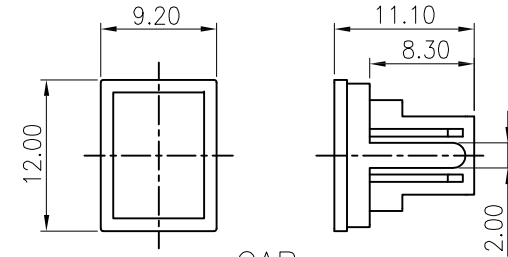
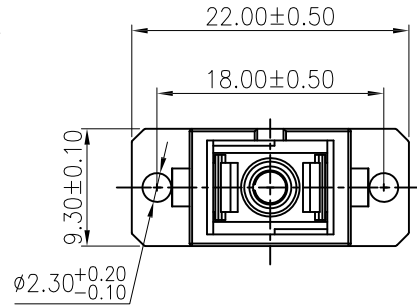
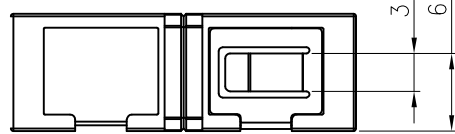
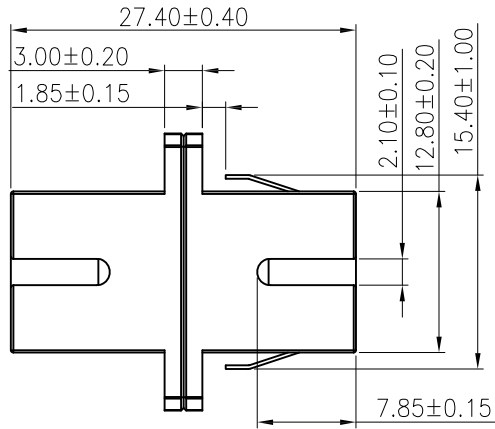
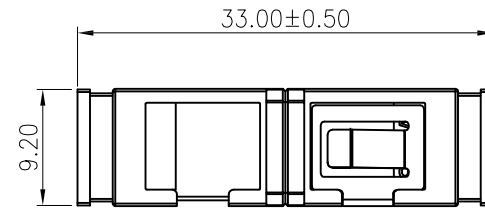


APPROVED: \_\_\_\_\_  
 DATE: \_\_\_\_\_ TITLE: \_\_\_\_\_

Rev	AWO #	Description	Date	Appr
-		RELEASED	10/16/19	
A		UPDATE DRAWING	9/4/20	OW/JL



CAP



WITH CAP

**SPECIFICATIONS:**

Material:  
 Housing: PBT, rated UL 94V-0, Color: See Chart  
 Cap: PBT, rated UL 94V-0, Color: Black  
 Sleeve: Zirconia ceramic  
 Electrical:  
 Standards of IEC, EIA/TIA, Taelcordia  
 Repeatability: 500 min  
 Insertion loss: 0.2dB max  
 Interchangeability: 0.2dB max  
 Repeatability: 0.2dB max  
 Temperature Rating:  
 Operating temperature: -40°C to +75°C  
 Environmental:  
 Lead free, RoHS compliant.



OPSA1ANNC1P1	SC/APC W/Panel Ground	PBT 7737C Green
OPSB1ANNC1P1	SC/PC W/Panel Ground	PBT 2184C Blue
OPSA1ANNC1N1	SC/APC W/O Panel Ground	PBT 7737C Green
OPSB1ANNC1N1	SC/PC W/O Panel Ground	PBT 2184C Blue
PART NUMBER	DESCRIPTION	Housing&Insert color

UNLESS OTHERWISE SPECIFIED  
 ALL DIMENSIONS ARE MILLIMETERS  
 TOLERANCES: EXCEPT AS NOTED  
 MM ANGLE  
 X. ± 0.35 X.\* ± 2°  
 .X ± 0.30 .X\* ± 1°  
 .XX ± 0.25 .XX\* ± 0.5°  
 .XXX ± 0.15 .XXX\* ± 0.5°

**ADAM  
 TECH  
 INTERCONNECTS**

909 Rahway Avenue,  
 Union, NJ 07083  
 Phone: 908-687-5000  
 Fax: 908-687-5710

APPROVALS		DATE
DRAWN	AY	10/16/19
CHECKED	AC	10/16/19
APPROVED		

TITLE			
SC TYPE ADAPTER, APC & PC, 1 PORTS LONG-EARED, WITH SC TWO TYPE DUST CAP			
SIZE	PART NO.	REV.	
X	OPSX1ANNC1X1	A	
REF:	S00005C	SCALE: NTS	SHEET 1 OF 1