

6

5

4

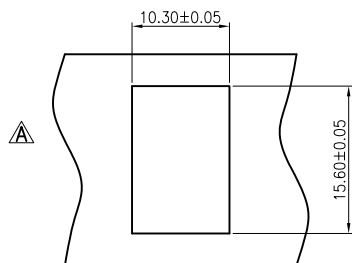
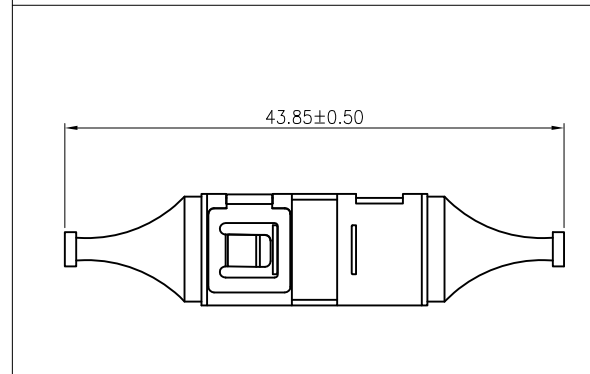
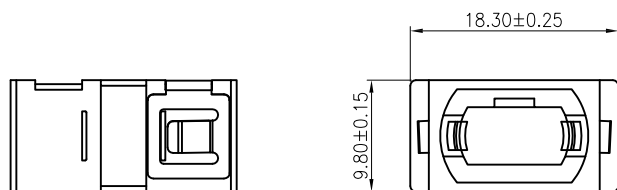
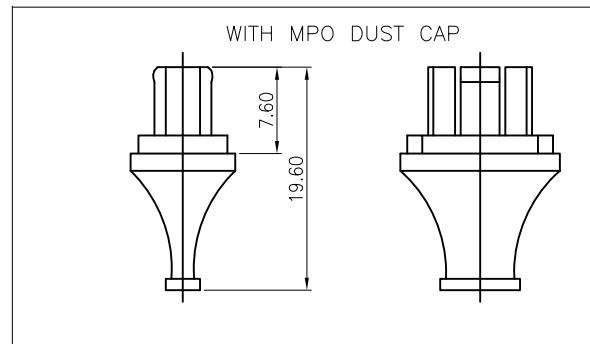
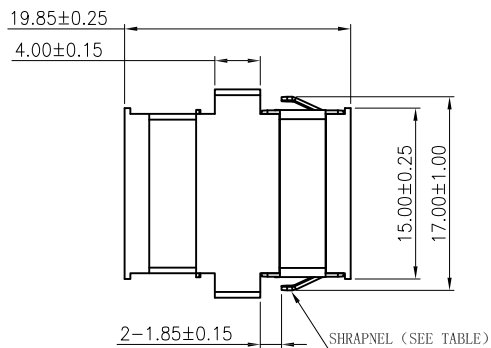
3

2

1

APPROVED: _____
 DATE: _____ TITLE: _____

Rev	AWO #	Description	Date	Appr
-		RELEASED	9/14/20	
A		ADDED DIM.	1/6/23	LH/NL



RECOMMENDED PANEL CUT-OUT

OPMF1BNNC1NC	PEI Red	NO
OPMF1BNNC1PC	PEI Red	With
OPMD1BNNC1NC	PEI Water blue	NO
OPMD1BNNC1PC	PEI Water blue	With
OPMB1BNNC1NC	PEI Blue	NO
OPMB1BNNC1PC	PEI Blue	With
OPMA1BNNC1NC	PEI Green	NO
OPMA1BNNC1PC	PEI Green	With
OPMG1BNNC1NC	PEI Black	NO
OPMG1BNNC1PC	PEI Black	With
P/N:	COLOUR	SHRAPNEL

SPECIFICATIONS:

Material:
 Housing: PEI, rated UL 94V-0, Color: See Chart
 Electrical:
 Standards of IEC,EIA/TIA, Telcordia
 Repeatability: 500 min
 Insertion loss: 0.2dB max
 Temperature Rating:
 Operating temperature: -40°C to +75°C
 Environmental:
 Lead free, RoHS compliant.



UNLESS OTHERWISE SPECIFIED ALL DIMENSIONS ARE INCHES [MM]. TOLERANCES: EXCEPT AS NOTED

INCHES		HOLES	
.X	± .10	Ø.X	± .10
.XX	± .020	Ø.XX	± .015
.XXX	± .015	Ø.XXX	± .010



909 Rahway Avenue,
 Union, NJ 07083
 Phone: 908-687-5000
 Fax: 908-687-5710

DRAWN	OW	9/14/20
CHECKED	JL	9/14/20
APPROVED		

TITLE		
OPTICAL MPO ADAPTERS, 1 PORTS, SHORT-EARED, WITH MPO DUST CAP		

THIS DRAWING CONTAINS INFORMATION THAT IS PROPRIETARY AND SHOULD NOT BE USED WITHOUT PRIOR WRITTEN PERMISSION FROM ADAM TECH

SIZE	PART NO.	REV.
X	OPMX1BNNC1XC	A

REF: S00005C	SCALE: NTS	SHEET 1 OF 1
--------------	------------	--------------

6

5

4

3

2

1