



ELECTRONICS, INC.
 44 FARRAND STREET
 BLOOMFIELD, NJ 07003
 (973) 748-5089
<http://www.nteinc.com>

NTE3012 thru NTE3015 NTE3012A thru NTE3015A Discrete LED Indicators

Features:

- All Plastic Mold Type:
 NTE3012, NTE3012A (Diffused Red)
 NTE3013, NTE3013A (Clear Red Jewel)
 NTE3014A (Clear Green)
 NTE3015, NTE3015A (Clear Green Jewel)
- Low Drive Current, High Intensity Light Emission
- All Plastic Mold Lens, Provide an Excellent ON-OFF Contrast Ratio
- Fast Response Time, Capable of Pulse Operation

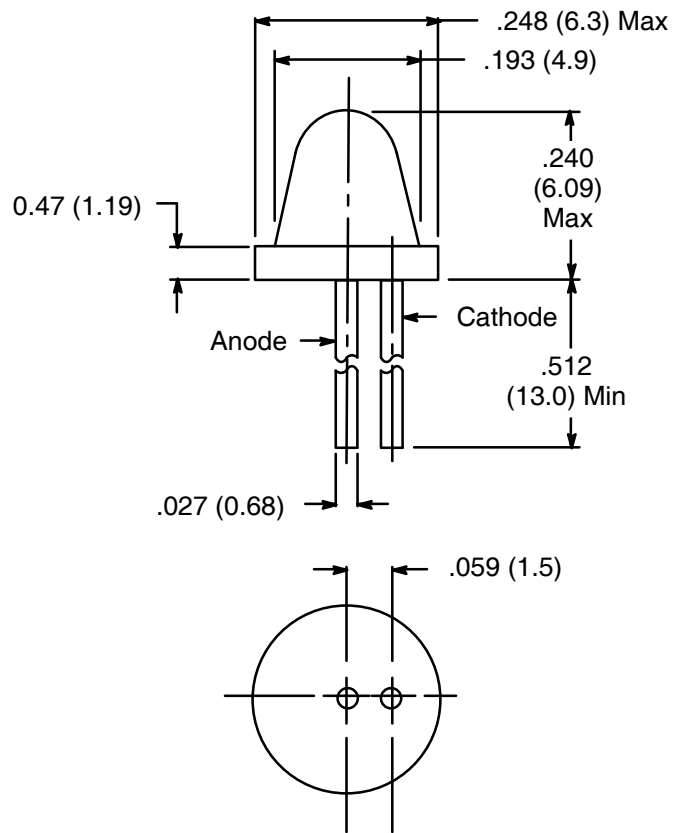
Absolute Maximum Ratings: ($T_A = +25^\circ\text{C}$)

DC Forward Current, I_F	25mA
Reverse Voltage, V_R	4V
Power Dissipation, P_D	70mW
Operating Temperature Range, T_{opr}	-20° to $+75^\circ\text{C}$
Storage Temperature Range, T_{stg}	-30° to $+100^\circ\text{C}$

Electro-Optical Characteristics: ($T_A = +25^\circ\text{C}$ unless otherwise specified)

Parameter	Symbol	Test Conditions	Min	Typ	Max	Unit
Forward Voltage	V_F	$I_F = 20\text{mA}$	-	2.1	2.8	V
Reverse Current	I_R	$V_R = 4\text{V}$	-	-	5	μA
Luminous Intensity	I_V	$I_F = 15\text{mA}$	1.0	3.5	-	mcd
NTE3012, NTE3012A, NTE3013, NTE3013A						
NTE3014A						
NTE3015, NTE3015A			2.5	12.0	-	mcd
Peak Emission Wave Length	λ_p	$I_F = 15\text{mA}$	-	700	-	nm
NTE3012, NTE3012A, NTE3013, NTE3013A						
NTE3014A, NTE3015, NTE3015A			-	565	-	nm
Spectral Line Half Width	$\Delta\lambda$	$I_F = 15\text{mA}$	-	100	-	nm
NTE3012, NTE3012A, NTE2013, NTE3013A						
NTE3014A, NTE3015, NTE3015A			-	25	-	nm

NTE3012, NTE3012A, NTE3014A



NTE3013, NTE3013A, NTE3015, NTE3015A

