

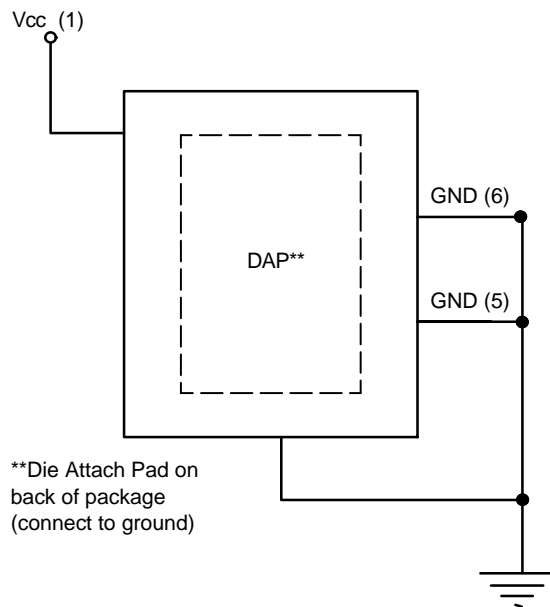
NSPM8151, NSPM8181

15 V and 18 V Unidirectional ESD and Surge Protection Device

Features

- Unidirectional High Voltage ESD & Surge Protection Device
- Provides ESD Protection to IEC61000-4-2 Level 4: ± 30 kV Contact Discharge
- IEC 61000-4-5 (lighting)
- High Voltage Zener Diode Protects Supply Rail up to 100 A (8/20 μ s)
- These Devices are Pb-Free and are RoHS Compliant

APPLICATION DIAGRAM



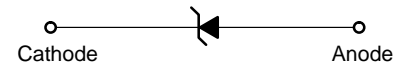
ON Semiconductor®

www.onsemi.com



UDFN6
D4 SUFFIX
CASE 517CS

BLOCK DIAGRAM



MARKING DIAGRAM



Ax = Specific Device Code
x = 5 or E
M = Date Code
▪ = Pb-Free Package

ORDERING INFORMATION

| Device | Package | Shipping† |
|---------------|-----------------|--------------------|
| NSPM8151MUTBG | UDFN6 (Pb-Free) | 3000 / Tape & Reel |
| NSPM8181MUTBG | UDFN6 (Pb-Free) | 3000 / Tape & Reel |

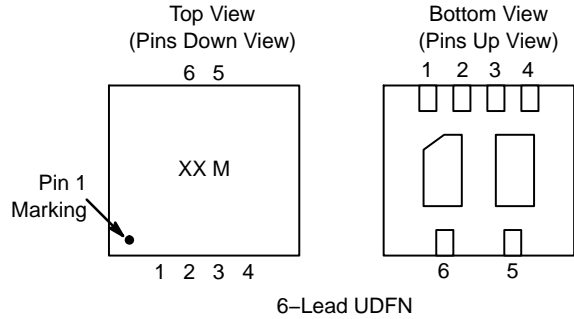
†For information on tape and reel specifications, including part orientation and tape sizes, please refer to our Tape and Reel Packaging Specification Brochure, BRD8011/D.

NSPM8151, NSPM8181

Table 1. PIN DESCRIPTIONS

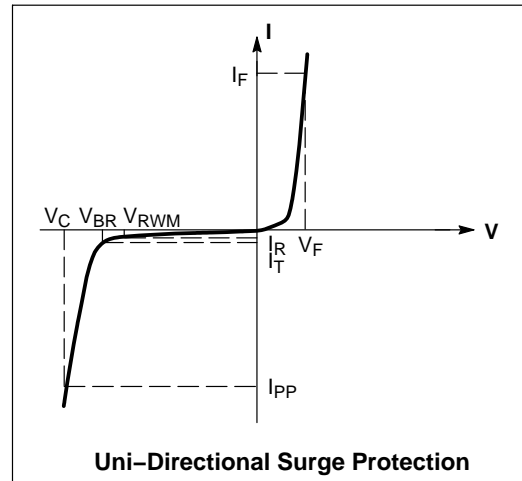
| 4-Channel, 6-Lead, UDFN-8 Package | | | |
|-----------------------------------|-----------------|--------------------|----------------|
| Pin | Name | Type | Description |
| 1 | V _{CC} | HV V _{DD} | HV ESD Channel |
| 2 | N/C | | No Connect |
| 3 | N/C | | No Connect |
| 4 | N/C | | No Connect |
| 5 | GND | | Ground |
| 6 | GND | | Ground |

PACKAGE / PINOUT DIAGRAMS



ELECTRICAL CHARACTERISTICS

| Symbol | Parameter |
|------------------|--|
| I _{PP} | Maximum Reverse Peak Pulse Current |
| V _C | Clamping Voltage @ I _{PP} |
| V _{RWM} | Working Peak Reverse Voltage |
| I _R | Maximum Reverse Leakage Current @ V _{RWM} |
| V _{BR} | Breakdown Voltage @ I _T |
| I _T | Test Current |
| ∅V _{BR} | Maximum Temperature Coefficient of V _{BR} |
| I _F | Forward Current |
| V _F | Forward Voltage @ I _F |



SPECIFICATIONS

Table 2. ABSOLUTE MAXIMUM RATINGS

| Parameter | Rating | Units |
|---|--------------------------------|-------|
| Operating Temperature Range | -55 to +125 | °C |
| Storage Temperature Range | -65 to +150 | °C |
| Peak Current (t _p = 8/20 μs) | NSPM8151: 100 NSPM8181: 119 | A |

Stresses exceeding those listed in the Maximum Ratings table may damage the device. If any of these limits are exceeded, device functionality should not be assumed, damage may occur and reliability may be affected.

ELECTRICAL CHARACTERISTICS

| Device Name | Device Marking | V _{RWM} (V) (Note 1) Max | I _R @ V _{RWM} (μA) Max | Breakdown Voltage | | | | V _C @ I _{PP} (8 x 20 μs) (Note 3) | |
|-------------|----------------|---|---|----------------------------|------|------|-----------------------|--|---------------------|
| | | | | V _{BR} V (Note 2) | | | @ I _T (mA) | V _C (V) | I _{PP} (A) |
| | | | | Min | Nom | Max | | Max | |
| NSPM8151 | A5 | 15 | 1 | 16 | 17.5 | 18.5 | 1 | 27 | 100 |
| NSPM8181 | A8 | 18 | 1 | 20 | 22.5 | 23.5 | 1 | 28 30 | 70 100 |

Product parametric performance is indicated in the Electrical Characteristics for the listed test conditions, unless otherwise noted. Product performance may not be indicated by the Electrical Characteristics if operated under different conditions.

1. A surge protector is normally selected according to the working peak reverse voltage (V_{RWM}), which should be equal to or greater than the DC or continuous peak operating voltage level.
2. V_{BR} measured at pulse test current I_T at an ambient temperature of 25°C.
3. Surge current waveform per Figure 1.

NSPM8151, NSPM8181

TYPICAL CHARACTERISTICS

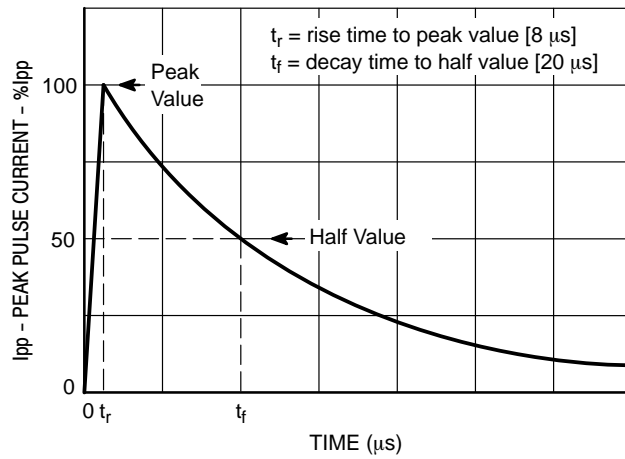


Figure 1. IEC61000-4-5 8/20 μ s Pulse Waveform

MECHANICAL CASE OUTLINE

PACKAGE DIMENSIONS

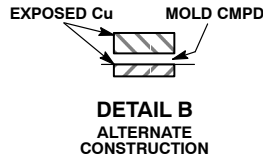
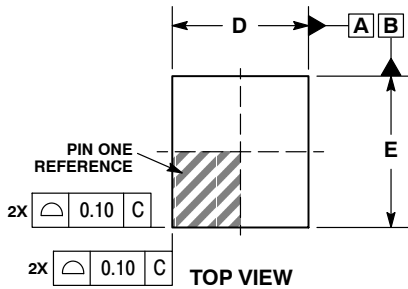
ON Semiconductor®



SCALE 4:1

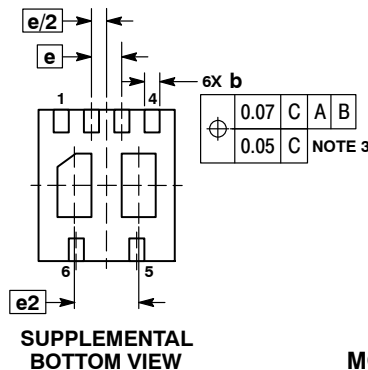
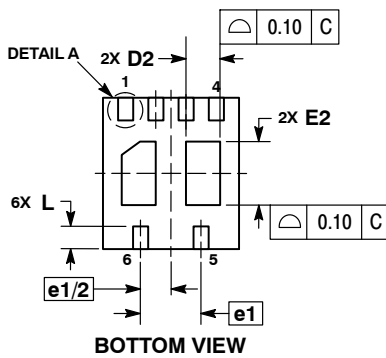
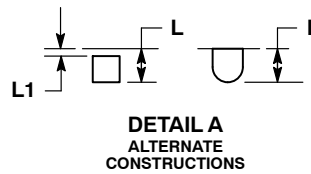
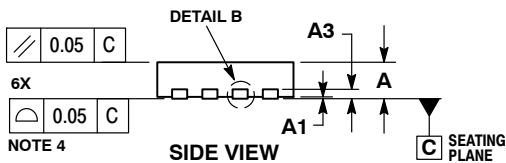
UDFN6, 1.8x2, 0.4P CASE 517CS ISSUE 0

DATE 30 APR 2013



- NOTES:
1. DIMENSIONING AND TOLERANCING PER ASME Y14.5M, 1994.
 2. CONTROLLING DIMENSION: MILLIMETERS.
 3. DIMENSION b APPLIES TO PLATED TERMINALS AND IS MEASURED BETWEEN 0.15 AND 0.30mm FROM THE TERMINAL TIP.
 4. COPLANARITY APPLIES TO THE EXPOSED PAD AS WELL AS THE TERMINALS.

| DIM | MILLIMETERS | |
|-----|-------------|------|
| | MIN | MAX |
| A | 0.45 | 0.55 |
| A1 | 0.00 | 0.05 |
| A3 | 0.125 REF | |
| b | 0.15 | 0.25 |
| D | 1.80 BSC | |
| D2 | 0.35 | 0.55 |
| E | 2.00 BSC | |
| E2 | 0.74 | 0.94 |
| e | 0.40 BSC | |
| e1 | 0.80 BSC | |
| e2 | 0.95 BSC | |
| L | 0.20 | 0.40 |
| L1 | --- | 0.15 |



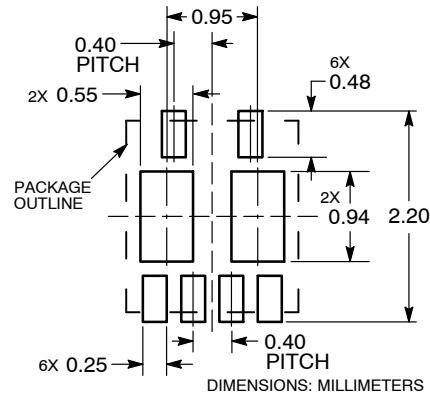
GENERIC MARKING DIAGRAM*



XX = Specific Device Code
M = Date Code

*This information is generic. Please refer to device data sheet for actual part marking. Pb-Free indicator, "G" or microdot "▪", may or may not be present.

RECOMMENDED MOUNTING FOOTPRINT*



*For additional information on our Pb-Free strategy and soldering details, please download the ON Semiconductor Soldering and Mounting Techniques Reference Manual, SOLDERRM/D.

| | | |
|------------------|-------------------|--|
| DOCUMENT NUMBER: | 98AON89602E | Electronic versions are uncontrolled except when accessed directly from the Document Repository. Printed versions are uncontrolled except when stamped "CONTROLLED COPY" in red. |
| DESCRIPTION: | UDFN6 1.8X2, 0.4P | PAGE 1 OF 1 |

ON Semiconductor and ON are trademarks of Semiconductor Components Industries, LLC dba ON Semiconductor or its subsidiaries in the United States and/or other countries. ON Semiconductor reserves the right to make changes without further notice to any products herein. ON Semiconductor makes no warranty, representation or guarantee regarding the suitability of its products for any particular purpose, nor does ON Semiconductor assume any liability arising out of the application or use of any product or circuit, and specifically disclaims any and all liability, including without limitation special, consequential or incidental damages. ON Semiconductor does not convey any license under its patent rights nor the rights of others.

onsemi, **Onsemi**, and other names, marks, and brands are registered and/or common law trademarks of Semiconductor Components Industries, LLC dba "**onsemi**" or its affiliates and/or subsidiaries in the United States and/or other countries. **onsemi** owns the rights to a number of patents, trademarks, copyrights, trade secrets, and other intellectual property. A listing of **onsemi**'s product/patent coverage may be accessed at www.onsemi.com/site/pdf/Patent-Marking.pdf. **onsemi** reserves the right to make changes at any time to any products or information herein, without notice. The information herein is provided "as-is" and **onsemi** makes no warranty, representation or guarantee regarding the accuracy of the information, product features, availability, functionality, or suitability of its products for any particular purpose, nor does **onsemi** assume any liability arising out of the application or use of any product or circuit, and specifically disclaims any and all liability, including without limitation special, consequential or incidental damages. Buyer is responsible for its products and applications using **onsemi** products, including compliance with all laws, regulations and safety requirements or standards, regardless of any support or applications information provided by **onsemi**. "Typical" parameters which may be provided in **onsemi** data sheets and/or specifications can and do vary in different applications and actual performance may vary over time. All operating parameters, including "Typicals" must be validated for each customer application by customer's technical experts. **onsemi** does not convey any license under any of its intellectual property rights nor the rights of others. **onsemi** products are not designed, intended, or authorized for use as a critical component in life support systems or any FDA Class 3 medical devices or medical devices with a same or similar classification in a foreign jurisdiction or any devices intended for implantation in the human body. Should Buyer purchase or use **onsemi** products for any such unintended or unauthorized application, Buyer shall indemnify and hold **onsemi** and its officers, employees, subsidiaries, affiliates, and distributors harmless against all claims, costs, damages, and expenses, and reasonable attorney fees arising out of, directly or indirectly, any claim of personal injury or death associated with such unintended or unauthorized use, even if such claim alleges that **onsemi** was negligent regarding the design or manufacture of the part. **onsemi** is an Equal Opportunity/Affirmative Action Employer. This literature is subject to all applicable copyright laws and is not for resale in any manner.

ADDITIONAL INFORMATION

TECHNICAL PUBLICATIONS:

Technical Library: www.onsemi.com/design/resources/technical-documentation
onsemi Website: www.onsemi.com

ONLINE SUPPORT: www.onsemi.com/support

For additional information, please contact your local Sales Representative at www.onsemi.com/support/sales