

Description

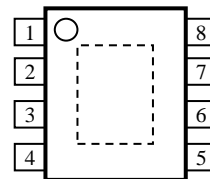
The NR110K is buck converter IC that integrates the power MOSFET. With the current mode control, ultra low ESR capacitors such as ceramic capacitors can be used. The IC has protection functions such as the overcurrent protection, undervoltage lockout, and thermal shutdown). An adjustable Soft-Start by an external capacitor prevents the excessive inrush current in startup. The feature increasing efficiency at light loads allows the device to be used in the energy-saving applications. The IC integrates phase compensation circuit which reduces the number of external components and simplifies the design of customer application. The IC has the EN pin that turns the regulator on or off, and achieves low power consumption requirements. The package is the HSOP8 with an exposed thermal pad on the back side.

Features

- Bare Lead Frame: Pb-free (RoHS Compliant)
- Up to 90% Efficiency
($V_{IN} = 12\text{ V}$, $V_{OUT} = 5\text{ V}$, $I_{OUT} = 1\text{ A}$)
Up to 70% Efficiency at Maximum at Light Load
($V_{IN} = 12\text{ V}$, $V_{OUT} = 5\text{ V}$, $I_{OUT} = 30\text{ mA}$)
- Current mode PWM control
- Stable with Low ESR Ceramic Output Capacitors
- No External Components Required by Incorporating Phase Compensation
- Soft-Start Function
Adjustable Soft-Start time with an External Capacitor
- External ON/OFF Function
- Protection Functions:
- Overcurrent Protection (OCP): Drooping, auto-restart
- Thermal Shutdown (TSD): Auto-restart
- Under Voltage Lockout (UVLO)

Package

HSOP8



Not to scale

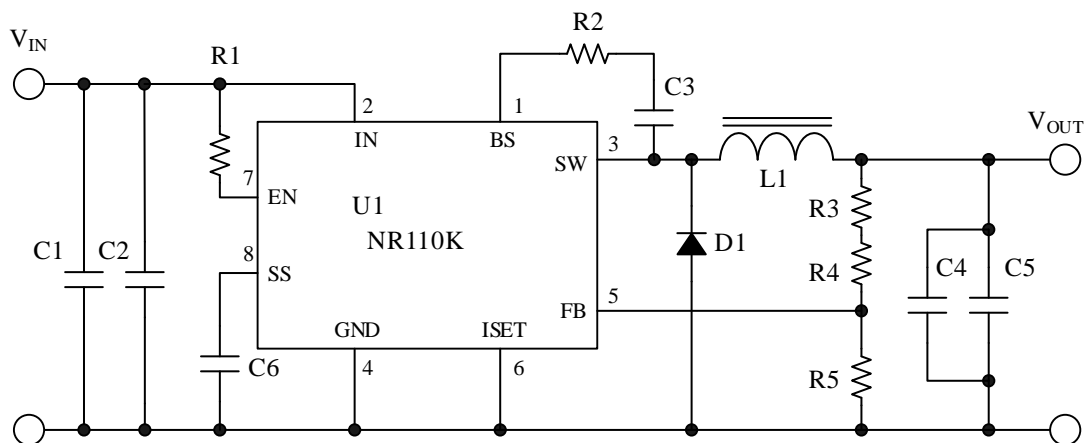
Specifications

- Input Voltage, $V_{IN} = 8\text{ V}$ to 31 V
- Output Voltage, $V_{OUT} = 0.8\text{ V}$ to 24 V
- Maximum Output Current, $I_{OUT} = 4\text{ A}$
- Operation Frequency 350 kHz

Applications

- AV Equipment
- Auxiliary Power Supply

Typical Application



Contents

Description	1
Contents	2
1. Absolute Maximum Ratings	3
2. Recommended Operating Conditions	3
3. Electrical Characteristics	4
4. Mechanical Characteristics	4
5. Typical Performance Characteristics	5
6. Block Diagram	7
7. Pin Configuration Definitions	7
8. Typical Application	8
9. Physical Dimensions	9
10. Marking Diagram	10
11. Operational Description	11
11.1. PWM Output Control	11
11.2. Soft Start Function	12
11.3. External ON/OFF Function	12
11.4. Overcurrent Protection	13
11.5. Thermal Shutdown	13
12. Design Notes	13
12.1. External Components	13
12.1.1. Choke Coil, L1	13
12.1.2. Input Capacitor, C _{IN}	14
12.1.3. Output Capacitor, C _{OUT}	15
12.1.4. Freewheel Diode, D1	16
12.1.5. Output Voltage, V _{OUT} , and Output Capacitor	16
12.2. Allowable power dissipation	16
12.2.1. Power Supply Stability	17
12.2.2. Spike Noise Reduction	17
12.2.3. Reverse Bias Condition	18
12.3. Pattern Layout	18
12.3.1. Large Current Trace	18
12.3.2. Input and Output Capacitor	18
12.3.3. FB Pin Setting (Output Voltage Setting)	18
13. Pattern Layout Example	19
Important Notes	21

1. Absolute Maximum Ratings

Unless otherwise specified, $T_A = 25\text{ }^\circ\text{C}$.

Parameter	Symbol	Conditions	Rating	Unit	Remarks
DC Input Voltage	V_{IN}		35	V	
BS Pin Voltage	V_{BS}		44	V	
BS-SW Voltage	V_{BS-SW}	DC	8	V	
		Pulse width $\leq 30\text{ ns}$	12		
SW Pin Voltage	V_{SW}		35	V	
FB Pin Voltage	V_{FB}		5.5	V	
EN Pin Voltage	V_{EN}		35	V	
SS Pin Voltage	V_{SS}		5.5	V	
Power Dissipation ⁽¹⁾	P_D	The IC is mounted on the glass-epoxy board (30 × 30 mm) with copper area (25 × 25 mm) by reflow soldering $T_J = 150\text{ }^\circ\text{C}$ (max.)	1.69	W	
Junction Temperature ⁽²⁾	T_J		-40 to 150	$^\circ\text{C}$	
Storage Temperature	T_S		-40 to 150	$^\circ\text{C}$	
Thermal Resistance (junction-GND Pin)	θ_{JP}		40	$^\circ\text{C}/\text{W}$	
Thermal Resistance (junction-ambient air)	θ_{JA}	The IC is mounted on the glass-epoxy board (30 × 30 mm) with copper area (25 × 25 mm) by reflow soldering	74	$^\circ\text{C}/\text{W}$	

2. Recommended Operating Conditions

Parameter	Symbol	Ratings		Units	Conditions
		Min.	Max.		
DC Input Voltage ⁽¹⁾	V_{IN}	8	31	V	
DC Output Current ⁽²⁾⁽³⁾	I_{OUT}	0	4.0	A	
Output Voltage	V_{OUT}	0.8	24	V	
Ambient Operating Temperature ⁽³⁾	T_{OP}	-40	85	$^\circ\text{C}$	

⁽¹⁾ Limited by thermal shutdown.

⁽²⁾ The temperature detection of thermal shutdown is about 160 $^\circ\text{C}$.

⁽³⁾ The minimum value of input voltage is taken as the larger one of either 8 V or $V_{OUT} + 3\text{ V}$.

When $I_{OUT} < 1\text{ A}$, $V_{IN} = V_{OUT} + 1$.

Input voltage is limited by the maximum duty-cycle. $V_{IN} > V_{OUT} / 0.9$ (typ.)

⁽²⁾ See Typical Application Circuit for recommended circuit.

⁽³⁾ To be used within the allowable package power dissipation characteristics.

3. Electrical Characteristics

Unless otherwise specified, $T_A = 25\text{ }^\circ\text{C}$.

Parameter		Symbol	Conditions	Min.	Typ.	Max.	Unit
Reference Voltage		V_{REF}	$V_{IN} = 12\text{ V}, I_{OUT} = 1.0\text{ A}$	0.784	0.800	0.816	V
Output Voltage Temperature Coefficient		$\Delta V_{REF}/\Delta T$	$V_{IN} = 12\text{ V}, I_{OUT} = 1.0\text{ A}, -40\text{ }^\circ\text{C to } +85\text{ }^\circ\text{C}$	—	± 0.05	—	mV/ $^\circ\text{C}$
Switching Frequency		f_{OSC}	$V_{IN} = 12\text{ V}, V_{OUT} = 5\text{ V}, I_{OUT} = 1.0\text{ A}$	280	350	420	kHz
Line Regulation ⁽⁴⁾		V_{LINE}	$V_{IN} = 8\text{ V to } 31\text{ V}, V_{OUT} = 5\text{ V}, I_{OUT} = 1.0\text{ A}$	—	50	—	mV
Load Regulation ⁽⁴⁾		V_{LOAD}	$V_{IN} = 12\text{ V}, V_{OUT} = 5\text{ V}, I_{OUT} = 0.1\text{ A} \sim 2.0\text{ A}$	—	50	—	mV
Overcurrent Protection Threshold		I_S	$V_{IN} = 12\text{ V}, V_{OUT} = 5\text{ V}, ISET = GND$	—	5.5	—	A
Overcurrent Protection Threshold		I_{S1}	$V_{IN} = 12\text{ V}, V_{OUT} = 5\text{ V}, ISET = Open$	—	1.5	—	A
		I_{S2}	$V_{IN} = 12\text{ V}, V_{OUT} = 5\text{ V}, ISET = GND$	—	5.5	—	A
Supply Current		I_{IN}	$V_{IN} = 12\text{ V}, V_{OUT} = 5\text{ V}, I_{OUT} = 0\text{ A}$	—	1.0	—	mA
Shutdown Supply Current		$I_{IN(OFF)}$	$V_{IN} = 12\text{ V}, V_{OUT} = 5\text{ V}, I_{OUT} = 0\text{ A}, V_{EN} = 0\text{ V}$	—	1.0	—	μA
SS Pin	Source current at Low Level Voltage	$I_{EN/SS}$	$V_{SS} = 0\text{ V}, V_{IN} = 12\text{ V}$	6	10	14	μA
EN Pin	Sink Current	I_{EN}	$V_{EN} = 10\text{ V}$	—	16	50	μA
	Threshold Voltage	$V_{C/EH}$	$V_{IN} = 12\text{ V}$	0.7	1.4	2.1	V
Maximum Duty-cycle ⁽⁴⁾		D_{MAX}		—	90	—	%
Minimum On-time ^{(4) (5)}		$t_{ON(MIN)}$		—	150	—	ns
Thermal Shutdown Threshold Temperature ⁽⁴⁾		T_{SD}		151	165	—	$^\circ\text{C}$
Thermal Shutdown Restart Hysteresis of Temperature ⁽⁴⁾		T_{SD_HYS}		—	20	—	$^\circ\text{C}$
High-side Switch On-resistance ⁽⁴⁾		$R_{ON(H)}$		—	85	—	m Ω

4. Mechanical Characteristics

Parameter	Conditions	Min.	Typ.	Max.	Unit
Package Weight		—	0.08	—	g

⁽⁴⁾ Guaranteed by design.

⁽⁵⁾ Input/ Output conditions are controlled by the minimum on time.

5. Typical Performance Characteristics

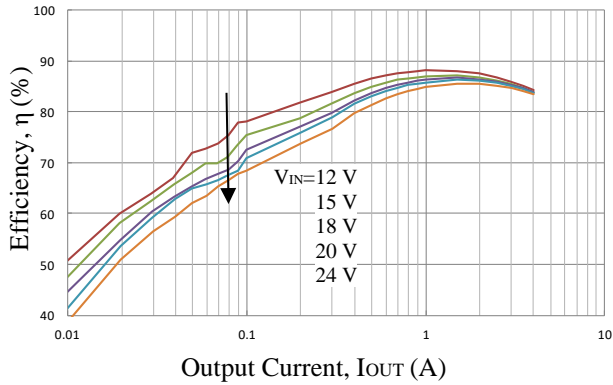


Figure 5-1. Efficiency ($V_{OUT} = 3.3$ V)

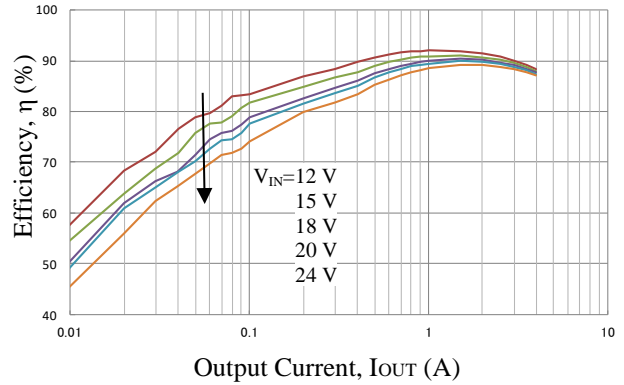


Figure 5-2. Efficiency ($V_{OUT} = 5.0$ V)

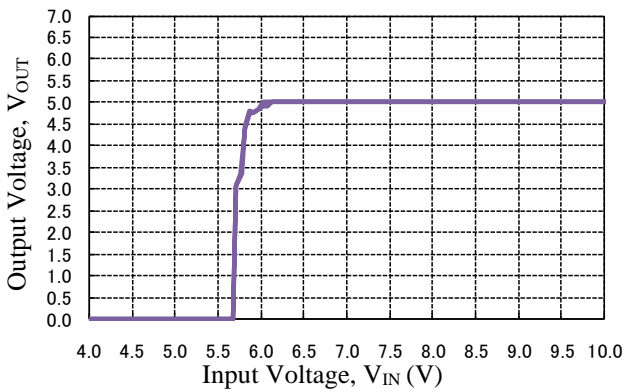


Figure 5-3. Output Startup (Load = CR)

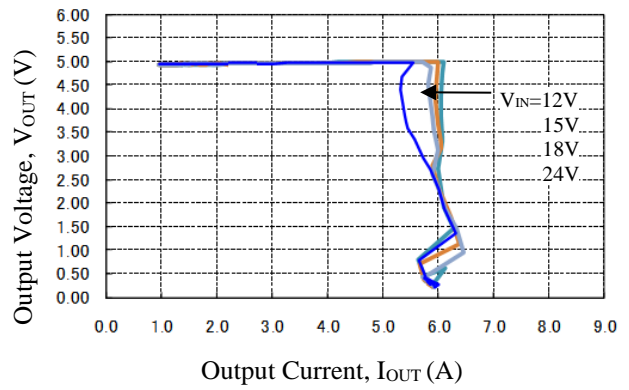


Figure 5-4. Overcurrent Protection

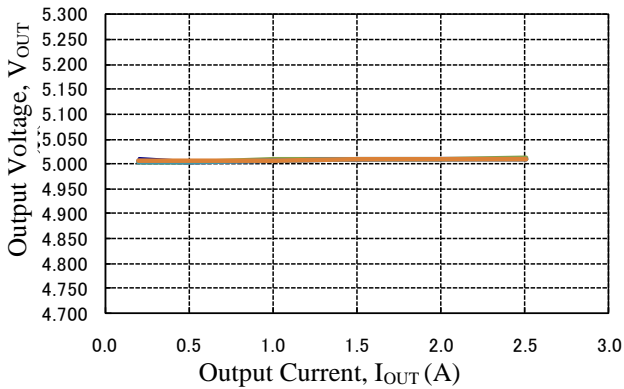


Figure 5-5. Load Regulation

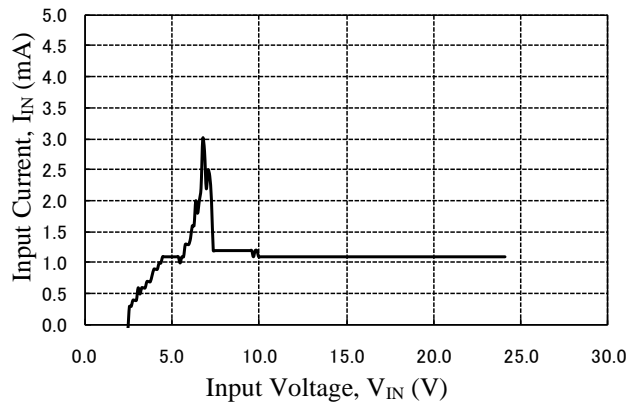


Figure 5-6. IN Pin Sink Current at No Load

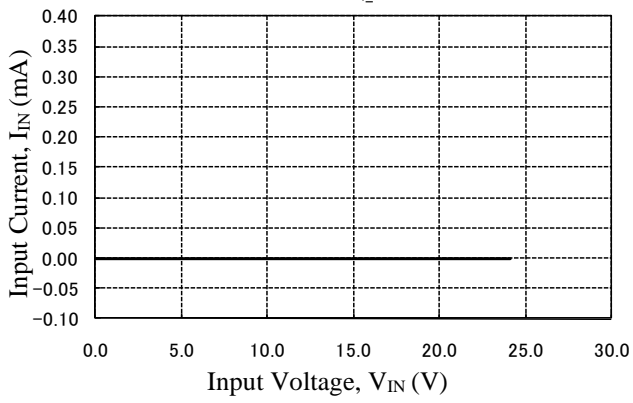


Figure 5-7. Quiescent Current

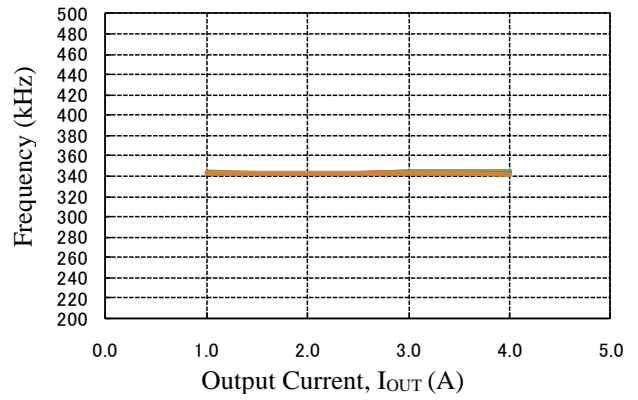
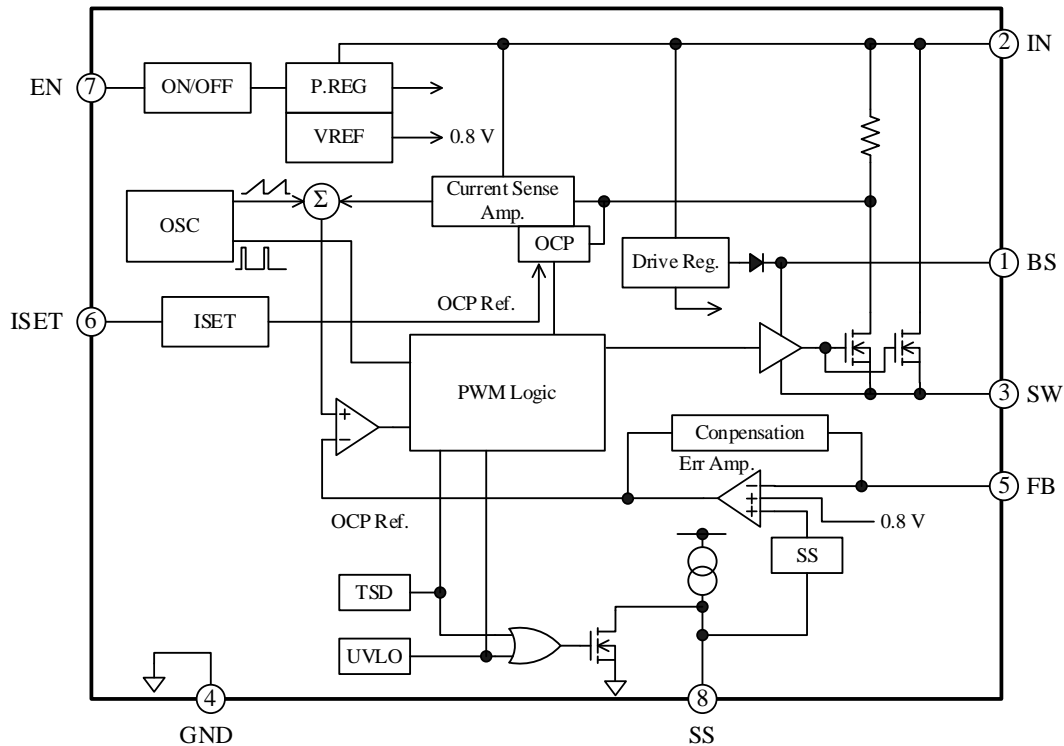
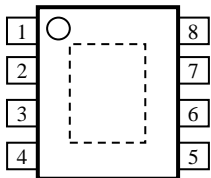


Figure 5-8. Operating Frequency

6. Block Diagram



7. Pin Configuration Definitions



Pin	Name	Descriptions
1	BS	High-side boost input pin. The power is supplied to the driver of high-side N-channel MOSFET through the BS pin. A capacitor and a resistor are connected in series between the SW and BS pins.
2	IN	This pin is input pin. The power is supplied to the IC through the IN pin.
3	SW	This pin is output pin. The power is output through the SW pin. Connect the LC filter for the output to this pin. A capacitor is required to be connected between the SW and BS pins to supply the power to the high-side MOSFET.
4	GND	Ground pin. The exposed pad must be connected to the GND pin.
5	FB	To control constant voltage, the output voltage is input to the FB pin, and is compared with internal reference voltage. The feedback threshold voltage is 0.8 V. The output voltage is set by resistors connected to the FB pin. R5 and R6 are connected between the FB pin and output line. R4 is connected between the FB and GND pins.
6	ISET	OCP setting pin. This pin must be shorted to the ground.
7	EN	Enable signal input pin. When high signal is input to this pin, the internal regulator turns on. When low signal is input to this pin, the internal regulator turns off.
8	SS	Soft-start input. The soft-start period can be adjusted by the capacitor connected between the SS and GND pins. The soft-start operation reduces the over-shoot of the output voltage and rush current.

8. Typical Application

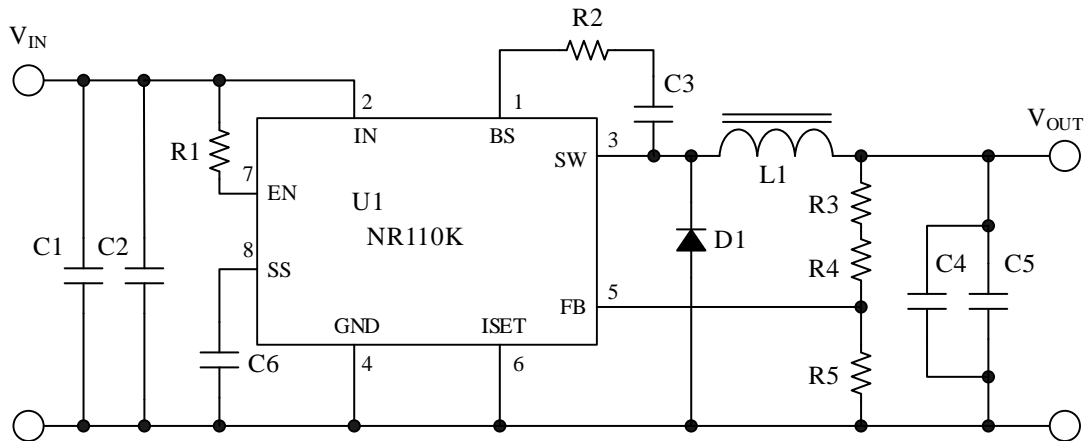
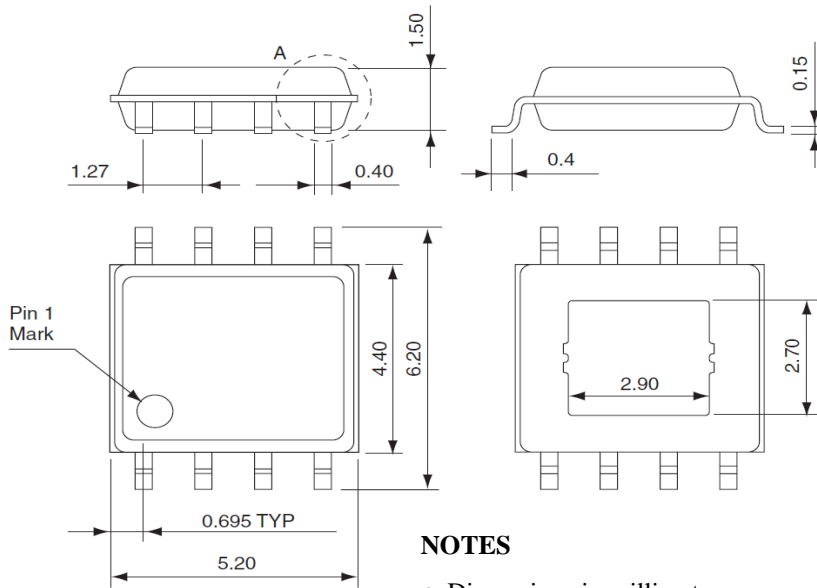


Table 8-1 Reference Circuit Value ($V_{OUT} = 5.0\text{ V}$)

Symbol	Rating	Symbol	Rating
C1	10 μF , 25 V	L1	10 μH
C2	10 μF , 25 V	R1	100 k Ω
C3	0.1 μF	R2	22 Ω
C4	22 μF , 16 V	R3	1.6 k Ω
C5	22 μF , 16 V	R4	6.8 k Ω
C6	0.1 μF	R5	1.6 k Ω
D1	40 V, 5 A, Schottky diode		

9. Physical Dimensions

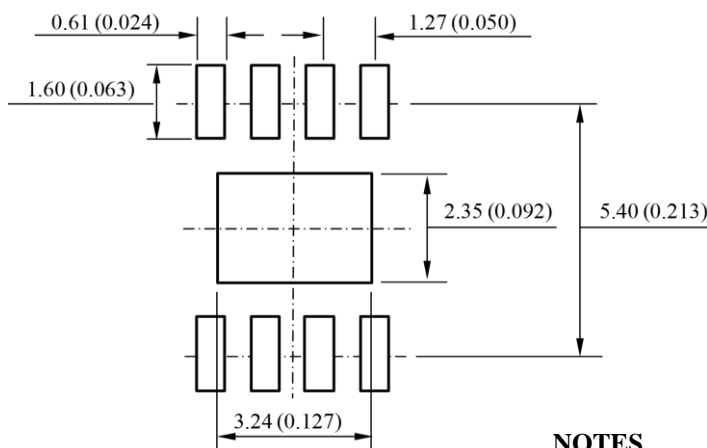
● HSOP8



NOTES

- Dimensions in millimeters
- Not to scale
- Bare lead frame: Pb-free (RoHS compliant)
- When soldering the products, it is required to minimize the working time within the following limits:
 - Flow 260 °C / 10 s, 1 time
 - Reflow Preheat: 150 °C to 200 °C / 60 s to 120 s
Solder heating: 255 °C / 30 s, 3 times (260 °C peak)
- Soldering iron: 350 °C / 3.5 s, 1 time

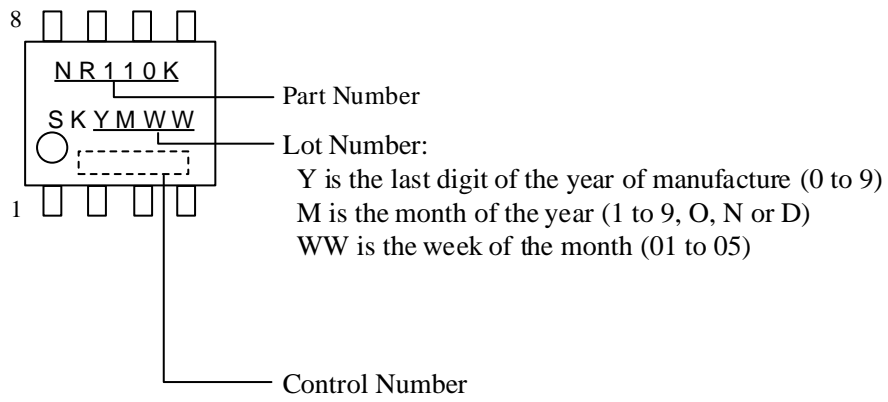
● Recommended Land Pattern



NOTES

- Dimensions in millimeters (inches)
- Not to scale

10. Marking Diagram



11. Operational Description

11.1. PWM Output Control

The IC consists of total three blocks; two feedback loop systems (current control and voltage control) and one slope compensation. For the voltage control feedback, divided output voltage by resistor is input to the FB pin. The internal error amplifier compares the FB pin voltage with the reference voltage $V_{REF} = 0.8V$.

For the current control feedback, the loop makes the coil current feedback to the PWM control. The coil current that is branched by using sense MOSFET is detected by the current sense amplifier. In addition, the slope compensation is made for current control slope in order to prevent subharmonic oscillations.

The PWM control with current control method is achieved by calculating the voltage control feedback, the current control feedback and the slope compensation signals. (See Figure 11-1.)

When UVLO is released or the EN pin or the SS pin voltage exceeds the threshold, the IC starts the switching operation.

The IC starts switching operation with minimum or maximum duty-cycle. The high-side switching MOSFET, M1, is for supplying output power.

At startup of IC, the SW pin becomes low status during short time to charge the boost capacitor, C3, for M1 driving.

When M1 is on-status, the coil current is increased by applying the voltage the SW pin and the coil. In addition, the output of the current sense amplifier also increases.

Signal A is sum of the current sense amplifier output and slope compensation signal. The comparator compares the signal A with the error amplifier output. When the signal A exceeds the output voltage of the error amplifier (Error Amp.), the current comparator output becomes "H" and the RS flip-flop circuit in PWM logic is reset. Then, M1 turns off, and the regenerative current flows through the Schottky diode, D1.

The set signal is generated in each cycle, and set the RS flip-flop circuit.

If the signal A does not exceed the output voltage of the error amplifier (Error Amp.), the signal of off duty circuit sets RS flip-flop circuit.

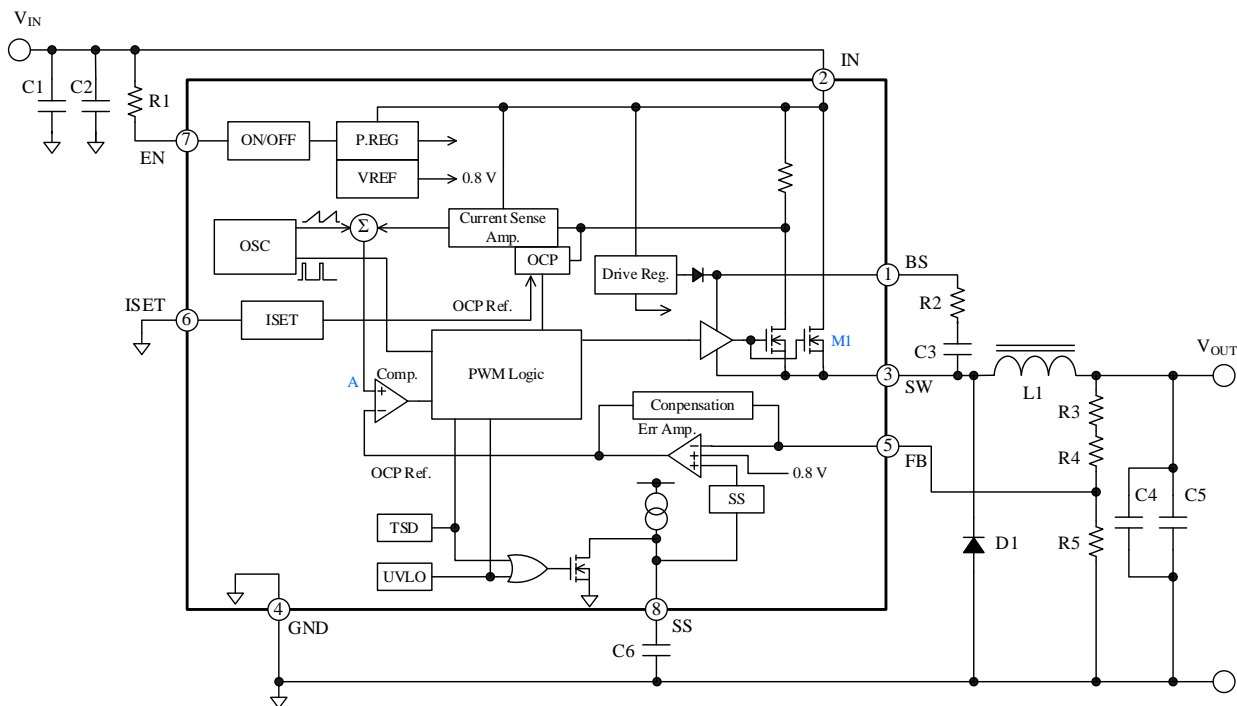


Figure 11-1. Basic Structure of Chopper Type Regulator with PWM Control by Current Control

11.2. Soft Start Function

Figure 11-2 shows the SS pin internal circuit.

When capacitor, C_{SS} , is connected to the SS pin, the IC operates in soft start at startup.

The output voltage, V_{OUT} , increases depending on the charged voltage of C_{SS} .

Delay time, t_{DELAY} is calculated by Equation (1).

Soft start time, t_{SS} is calculated by Equation (2).

If the soft start function is unused, the SS pin is unconnected (open status).

$$t_{DELAY} = C_{SS} \times \frac{0.9 (V)}{I_{SS}} \tag{1}$$

$$t_{SS} = C_{SS} \times \frac{1.8 (V) - 0.9 (V)}{0.9 \times I_{SS}} \tag{2}$$

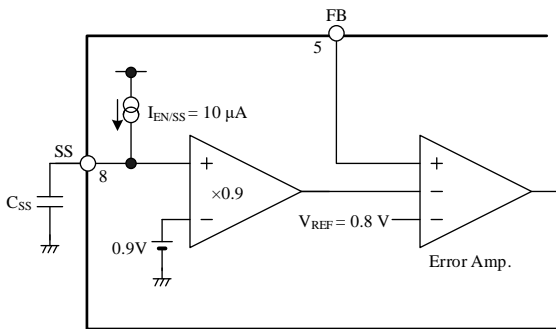


Figure 11-2. SS Pin Internal Circuit

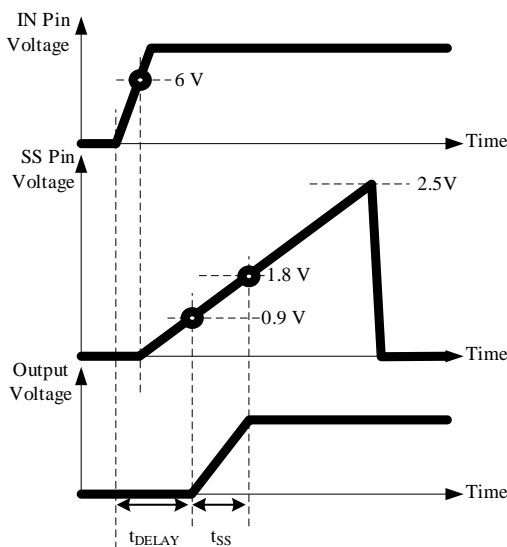


Figure 11-3. Soft Start Operation Waveform

SS pin voltage at open is 2.5 V. Figure 11-4 shows the relationship between the C_{SS} discharge time and C_{SS} capacitance. C_{SS} discharge time is require time that the SS pin voltage decreases to 0 V from 2.5 V

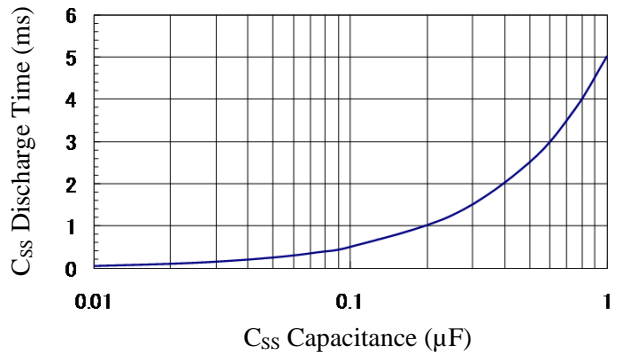


Figure 11-4. C_{SS} Discharge Time vs. C_{SS} Capacitance

In case the C_{SS} is short circuit status or the C_{SS} value is set too small, the output capacitor is charged by the output current that is limited by overcurrent protection threshold current, I_S .

In the case, the time constant is calculated by Equation (3). This time constant is in no load status. When the circuit has some load, the load current is subtracted from I_S .

$$t = \frac{C_{OUT} \times V_{OUT}}{I_S} \tag{3}$$

11.3. External ON/OFF Function

When the external signal is input to EN pin, the IC turns on/off the output.

When the EN pin voltage is decreased to $V_{EN/TH} = 1.4$ V or less by open collector switch as shown in Figure 11-5, the switching operation stops.

When the external on/off function is unused, pull up the EN pin to the IN pin by resistor (100 kΩ) as shown in Figure 11-6.

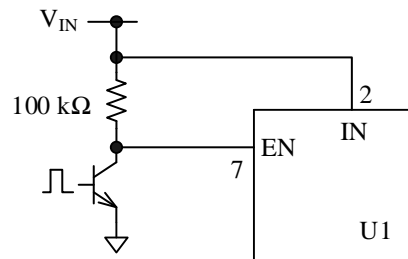


Figure 11-5. External ON/OFF Function

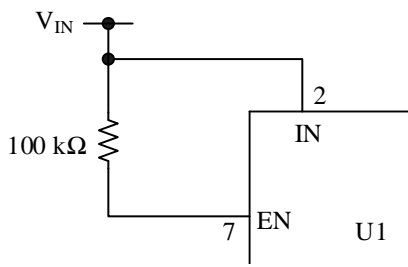


Figure 11-6. External ON/OFF Function Disabled

11.4. Overcurrent Protection

The IC has an overcurrent protection (OCP) circuit. The OCP circuit detects the peak current of the switching transistor. When the peak current exceeds the setting current, the IC limits the current by forcibly shortening the on-time of transistor and decreasing the output voltage (see Figure 11-7). When the overcurrent state is released, the output voltage automatically returns.

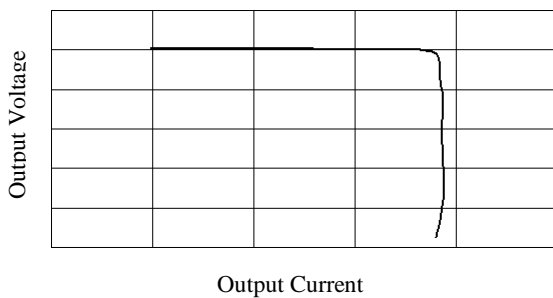


Figure 11-7. Output Voltage Characteristics at Overcurrent

11.5. Thermal Shutdown

The thermal shutdown (TSD) circuit detects the junction temperature of the IC. When the junction temperature exceeds about 160 °C, TSD circuit is activated and stops the switching of the output transistor. Then, the output voltage decreases.

When the junction temperature decreases about 20 °C from the TSD circuit activation temperature, the output voltage automatically returns.

The TSD circuit protects from the heat generation for short time such as momentary short circuit. The operation and the reliabilities of the IC are not guaranteed under the continuous heat generation conditions such as short circuit for a long time.

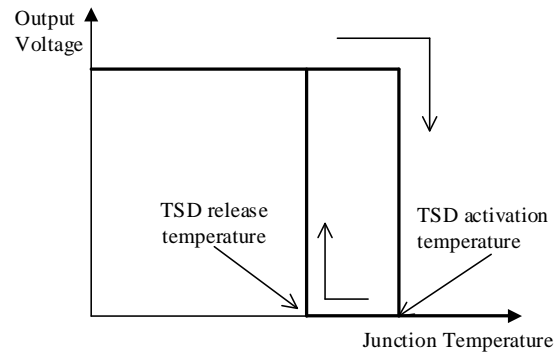


Figure 11-8. Output Voltage Characteristics of Thermal Shutdown

12. Design Notes

12.1. External Components

Take care to use properly rated, including derating as necessary and proper type of components.

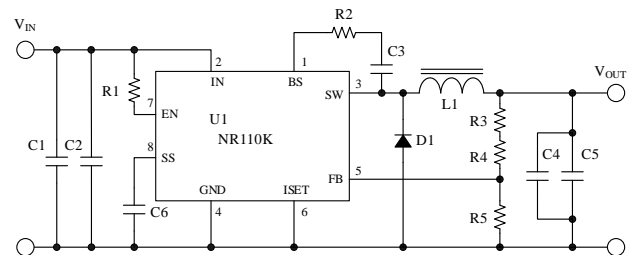


Figure 12-1. The IC Peripheral Circuit

12.1.1. Choke Coil, L1

The choke coil, L1, is the most important component in chopper type switching regulators. In order to keep the stabilized regulator operation, the coil must be avoided the unsafe operation including the saturation condition or the over-heat excessively.

If the winding resistance of the choke coil is too high, the efficiency decreases and may not be the setting value.

The limiting current of the overcurrent protection is about 4 A. Thus, you must consider about the self-heating of the choke coil at the status including overload and the momentary short circuit. The selection points of the choke coil are as follows:

- **Select choke coil for switching regulator.**
It is not recommended to use the coil for noise filter, since its power dissipation becomes high and causes high heat generation.

• **Avoid a sub-harmonic oscillations.**

The current control that detects peak current may cause a sub-harmonic oscillation theoretically in the condition that the duty-cycle is over 50%.

In the sub-harmonic oscillation, coil current is changed by the integer multiple of switching frequency. Thus, the IC compensates the coil current in internal to operate stably.

Therefore, the inductance must be selected properly according to output voltage.

Figure 12-2 shows the inductance selection range to avoid a sub-harmonic oscillation in the duty-cycle over 50%. The value in Figure 12-2 is reference value, since the maximum inductance is changed by some conditions including input voltage, output voltage and output current.

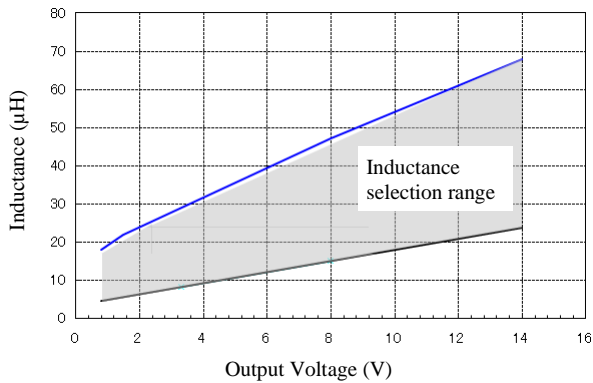


Figure 12-2. Inductance Selection Range in $f = 350 \text{ kHz}$

ΔI_L is the ripple current of the choke coil. I_{LP} is the peak current of the choke coil.

ΔI_L and I_{LP} are calculated by following equations.

$$\Delta I_L = \frac{(V_{IN} - V_{OUT})}{L \times V_{IN} \times f} \times V_{OUT} \quad (4)$$

$$I_{LP} = \frac{\Delta I_L}{2} + I_{OUT} \quad (5)$$

As above equations, ΔI_L and I_{LP} increase according to decreasing the inductance, L. Thus, too small inductance setting may cause the unstable operation of the switching regulator because the coil current ripple becomes large.

You must consider that the inductance of the choke coil decreases in the magnetic saturation condition such as overload and short circuit of load.

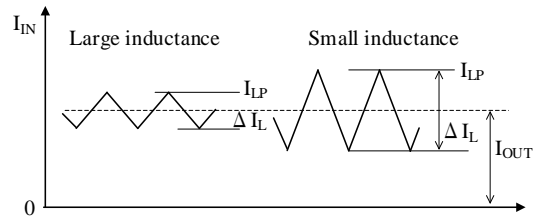


Figure 12-3. Ripple Current of Choke Coil

• **Fulfill the rated current.**

The rated current value of the choke coil must be set larger than the maximum load current, which is used. If the load current exceeds to the rated current value of the coil, the inductance of the coil decreases rapidly and large current flows.

• **Select the low noise type.**

The open magnetic circuit type core like a drum type may generate noise in peripheral circuit due to the magnetic flux passing outside of coil.

It is recommended to use the Coils of closed magnetic circuit type core such as toroidal type, EI type and EE type.

12.1.2. Input Capacitor, C_{IN}

The input capacitor, C_{IN}, shows C1 and C2.

C_{IN} is the bypass capacitor of input circuit. It supplies the current of short pulses to the regulator during switching and compensates the input voltage drop. Thus, C_{IN} should be placed as close the IC as possible. Even if the rectifying capacitor of an AC/DC converter circuit is in input circuit, C_{IN} is required when the rectifying capacitor is not placed near the IC.

Since large ripple current flows through C_{IN}, C_{IN} must be used the capacitor for the switching regulator, which is for high frequency and has low impedance characteristics. The selection points of C_{IN} are as follows:

- Fulfill the breakdown voltage rating.
- Fulfill sufficient allowable ripple current rating.

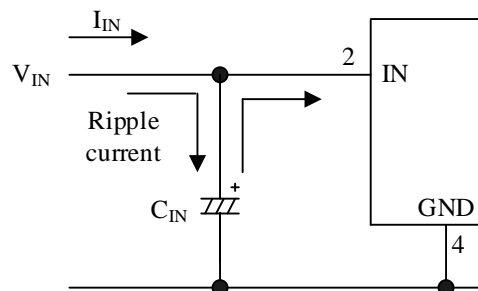


Figure 12-4. Current Flow of Input Capacitor

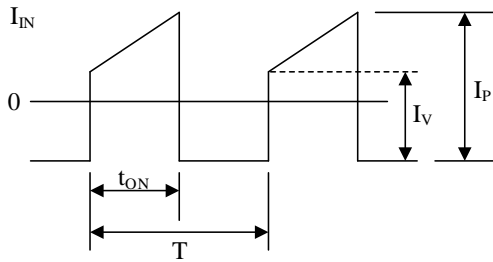


Figure 12-5. Current Waveform of Input Capacitor

If the C_{IN} voltage and ripple current is over the rating of the breakdown voltage and the allowable ripple current, or you does not consider derating for these rating, the following problem may be occurred. Thus, you must consider derating for breakdown voltage and the allowable ripple current.

- The capacitor life time short (burst, capacitance decreasing, equivalent impedance increasing, etc.)
- The unstable switching operation of the IC.

The ripple current of C_{IN} increases depending on the load current. The effective value of the ripple current, $I_{INR(RMS)}$, is calculated by Equation (6).

$$I_{INR(RMS)} \approx 1.2 \times \frac{V_{OUT}}{V_{IN}} \times I_{OUT} \quad (6)$$

If V_{IN} is 20 V, I_{OUT} is 3 A, V_{OUT} is 5 V,

$$I_{INR(RMS)} \approx 1.2 \times \frac{5 (V)}{20 (V)} \times 3 (A) = 0.9 (A)$$

In the case, you must select the capacitor that the allowable ripple current is more than 0.9 A.

12.1.3. Output Capacitor, C_{OUT}

The output capacitor, C_{OUT} , shows C4 and C5.

In the current control method, the feedback loop which detects the inductor current is added to the voltage control method. The stable operation is achieved without considering the effect of the secondary delay factor of LC filter.

Thus, the capacitance of the capacitor of the LC filter can be reduced. The IC can achieve the stable operation using the low ESR capacitor (ceramic capacitor).

The C_{OUT} is the rectifying capacitor of switching output, and composes the LC low-pass filter with choke coil, L1.

The current that is same of the ripple current of choke coil, ΔI_L , flows through C_{OUT} . Therefore, you must consider derating for breakdown voltage and the allowable ripple current (See Section 12.1.2 Input Capacitor).

Since large ripple current flows through C_{OUT} , C_{OUT} must be used the capacitor for the switching regulator, which is for high frequency and has low impedance characteristics.

If the impedance of C_{OUT} is high, the IC may be occurred unstable switching operation in low temperature environment.

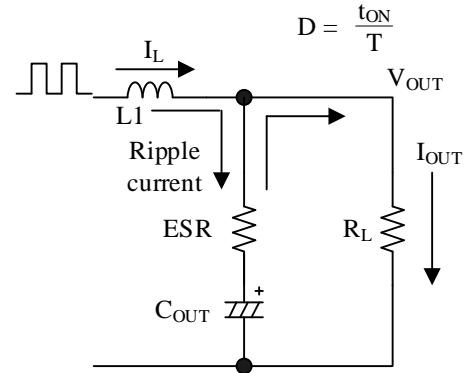


Figure 12-6. Current Flow of Output Capacitor

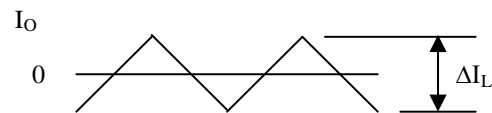


Figure 12-7. Current Waveform of Output Capacitor

The ripple current of C_{OUT} is same with the ripple current of the choke coil, and does not depend on the load current. Thus, the effective value of the ripple current, $I_{OR(RMS)}$, is calculated by Equation (7).

$$I_{OR(RMS)} = \frac{\Delta I_L}{2\sqrt{3}} \quad (7)$$

If ΔI_L is 0.5 A,

$$I_{OR(RMS)} = \frac{0.5 (A)}{2\sqrt{3}} \approx 0.14 (A)$$

In the case, you must select the capacitor that the allowable ripple current is more than 0.14 A.

The output ripple voltage of the IC, V_{RIP} , is calculated by Equation (8).

$$V_{RIP} = \Delta I_L \times C_{OUT} ESR \quad (8)$$

Where, ΔI_L is the ripple current of the choke coil (same of the ripple current of C_{OUT}), and $C_{OUT} ESR$ is the equivalent series resistance (ESR) of C_{OUT} .

From Equation (8), you should set the low ESR capacitor in order to reduce the output ripple voltage.

In same family of the electrolytic capacitor, the larger capacitance in same the rating voltage, or the higher rating voltage (the larger package size) in same capacitance is, the lower the ESR generally becomes.

If ΔI_L is 0.5 A, V_{RIP} is 40 mV,

$$C_{OUT}ESR = \frac{V_{RIP}}{\Delta I_L} = \frac{40(mV)}{0.5(A)} = 80(m\Omega) \quad (9)$$

In the case, you must select the capacitor that the ESR is less than 80 mΩ

In addition, the ESR depends on temperature, and generally increases in low temperature. Thus, you should check the ESR at the actual used temperature. The ESR characteristic is shown in each capacitor maker.

12.1.4. Freewheel Diode, D1

Flywheel diode, D1, is for discharging energy that is charged choke coil in off-status.

External flywheel diode, D1, improves efficiency, and must be used a Schottky-barrier diode. If the fast recovery diode is used, the IC may be damaged by the reverse voltage that is caused by the surge at turn-on or the forward voltage in on-status.

Since the output voltage of the SW pin (3 pin) is nearly same with input voltage, the reverse breakdown voltage of D1 is required more than the input voltage.

You must not use ferrite beads for the flywheel diode.

12.1.5. Output Voltage, V_{OUT} , and Output Capacitor

The output capacitor determines according to the output voltage V_{OUT} . In each voltage, Table 12-1 shows the capacitance that the IC can operate stable. The values are reference. The ESR of the electrolytic capacitor is about 100 mΩ. See Section 12.1.1 about the inductance, L, setting.

Table 12-1. Output Voltage, V_{OUT} , vs. Output Capacitor (350 kHz)

V_{OUT} (V)	Output Capacitor (μ F)	
	Ceramic Capacitor	Electrolytic Capacitor (ESR \approx 100 mΩ)
1.2	22 to 100	4.7 to 330
1.8		4.7 to 470
3.3	10 to 68	4.7 to 330
5	4.7 to 47	4.7 to 220
12		
24		

*When ESR is about 100 mΩ, C_{FB} connects to between FB pin and V_{OUT} as shown in Figure 12-8. The value of C_{FB} is about 220pF to 2200pF.

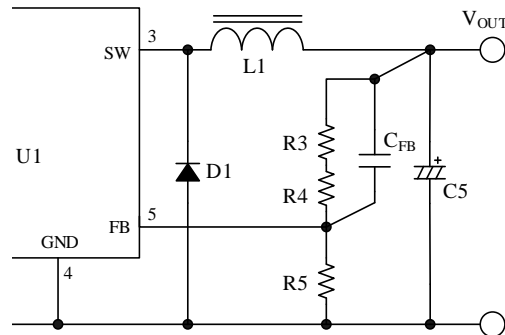


Figure 12-8. Using Electrolytic Capacitor

12.2. Allowable power dissipation

The power dissipation of the IC must be within the allowable power dissipation shown in Figure 12-9, and is calculated by Equation Figure 12-9.

$$P = V_{OUT} \times I_{OUT} \times \left(\frac{100}{\eta_X} - 1 \right) - V_F \times I_{OUT} \times \left(1 - \frac{V_{UTO}}{V_{IN}} \right) \quad (10)$$

where,

V_{OUT} is output voltage,

V_{IN} is Input voltage,

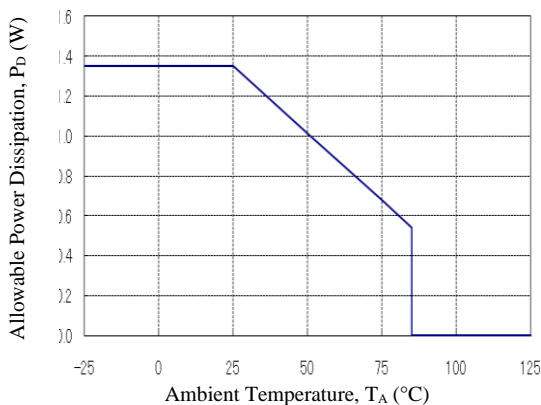
I_{OUT} is output current,

V_F is diode forward voltage, V_F of SJPB-L4 is 0.55 V ($I_{OUT} = 3$ A), and

η_X is efficiency (%).

Since the efficiency determines from the input voltage and output current, it shall be obtained from the efficiency curve and substituted in percent.

The heat release setting of the freewheel diode is required separately.



NOTES:

- Glass-epoxy board, 30 mm × 30 mm
- Copper area, 25 mm × 25 mm
- The power dissipation is calculated at the junction temperature 125 °C.

Figure 12-9. Allowable Power Dissipation Curve

12.2.1. Power Supply Stability

The phase characteristics of a chopper type regulator are the synthesis of follows.

The internal phase characteristics of a regulator IC, the output capacitor, and the load resistance.

Internal phase characteristics of a regulator IC are generally determined by the delay time of control block and the phase characteristics of the output error amplifier. Therefore, the phase delay due to the delay time of the control block rarely causes problems in actual use.

The IC has phase compensation for output error amplifier. See Section 12.1.5 about the output voltage setting and the output current setting for stable operation.

12.2.2. Spike Noise Reduction

This section shows how to reduce spike noises.

Extra attentions should be paid when you measure spike noises using an oscilloscope.

The ground lead of a probe should be as short as possible, and should be connected to root of output capacitor. When the ground lead is long, the noises may be measured larger than actual noises because the ground lead becomes an antenna.

- **Add a resistance to the BS pin in series.**

When the resistor, R2, is added between the BS pin and SW pin as shown in Figure 12-10, the turn-on switching speed of the internal power MOSFET becomes slow. The spike noises is reduced according to decreasing switching speed.

The maximum value of R2 is 22 Ω.

If R2 is set too large, the following event may be occurred.

Start-up failure.

The IC is damaged by self-heating due to decreasing the gate voltage of internal power MOSFET.

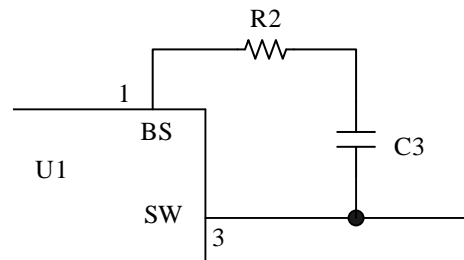


Figure 12-10. BS pin peripheral circuit

- **Add a snubber circuit.**

When an RC snubber (a resistor and a capacitor) is added to the SW pin as shown in Figure 12-11, the spike noises are reduced because the slopes of output waveform and the recovery current waveform of the diode become shallow.

Note that the efficiency is decreased as the switching loss of the internal power MOSFET increases.

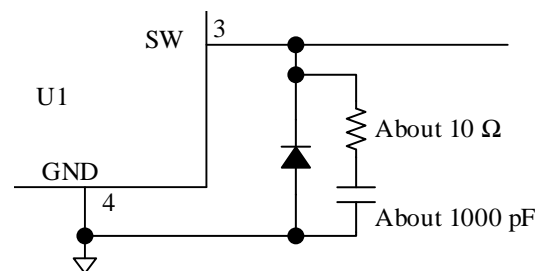


Figure 12-11. SW pin peripheral circuit

- Note when you add bead cores

Bead cores including ferrite beads must not be used in the broken line in Figure 12-12.

When you layouts the PCB trace of the switching regulator, the parasitic inductance of PCB trace should be as small as possible. If bead cores are added, the the inductance of the bead cores is added to the parasitic inductance of PCB trace. It may causes the malfunction or break of the IC by the unstable status including negative potential grounding due to surge voltage.

The noise reduction method should be chosen from above method (add the BS pin resistor or the snubber circuit).

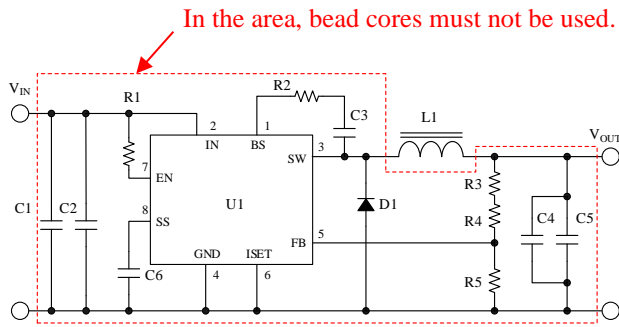
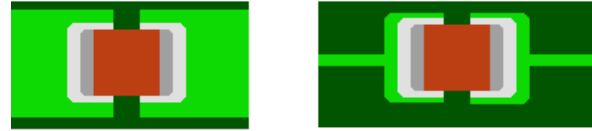


Figure 12-12. Note when you add bead cores

and C5) are placed as close the IC as possible.

Even if the rectifying capacitor of an AC/DC converter circuit is in input circuit, input capacitors are required when the rectifying capacitor is not placed near the IC.

The traces of these capacitors are drawn wide (see Figure 12-15-(a), Proper Trace)



(a) Proper Trace (b) Improper Trace

Figure 12-15. Trace Example of Capacitors

12.2.3. Reverse Bias Condition

When the IN pin voltage becomes higher than the SW pin voltage (battery charger application, etc.), the diode for reverse bias protection must be connected between the IN pin and SW pin as shown in Figure 12-13.

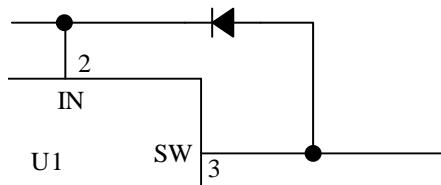


Figure 12-13. When the IN pin voltage becomes higher than the SW pin voltage

12.3.3. FB Pin Setting (Output Voltage Setting)

The FB pin detects the feedback signal to control the output voltage, and should be placed as close the output capacitor as possible. If the FB pin is far from the output capacitor, the unstable operation may be occurred by the regulation decreasing and the switching ripple increasing.

The output voltage is set by the resistors connected to the FB pin (R3, R4 and R5). The minimum current flowing through the FB pin, I_{FB} , should be set about 0.5 mA. The maximum value of I_{FB} should be set considering about the efficiency.

The output voltage, V_{OUT} , and the value of R3, R4 and R5 are calculated by the following equations.

$$I_{FB} = \frac{V_{FB}}{R5} \quad (11)$$

where, V_{FB} is 0.8 V \pm 2%.

$$R3 + R4 = \frac{V_{OUT} - V_{FB}}{I_{FB}} = \frac{V_{OUT} - 0.8}{0.5 \times 10^{-3}} (\Omega) \quad (12)$$

$$R5 = \frac{V_{FB}}{I_{FB}} = \frac{0.8}{0.5 \times 10^{-3}} \approx 1.6 (k\Omega) \quad (13)$$

$$V_{OUT} = (R3 + R4) \times \frac{V_{FB}}{R6} + V_{FB} \quad (14)$$

If the output voltage is set to 0.8 V that is same voltage with V_{FB} , R5 should be connected to operate stable.

The relationship between input voltage and output voltage is determined by the on-time of the SW pin. The on-time is recommended to set to more than 200 ns.

The traces connected to the FB pin and the R3, R4, R5 must not be placed in parallel with the trace connected to the freewheel diode, because switching noise affects to the feedback detection voltage, and may occur unstable

12.3. Pattern Layout

12.3.1. Large Current Trace

Since large current flows through the bold line in Figure 12-14, these PCB traces must be as wide and small loop as possible.

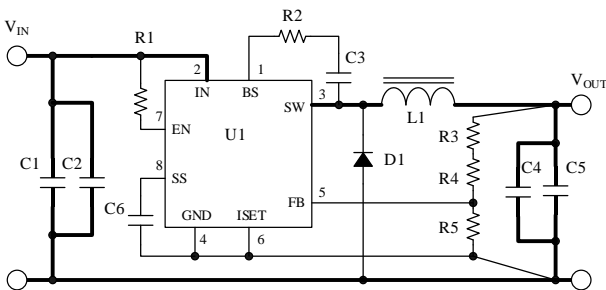


Figure 12-14. Large Current Line

12.3.2. Input and Output Capacitor

Input capacitors (C1 and C2) and output capacitors (C4

operations.

Especially, the trace between FB pin and R5 must be as short as possible.

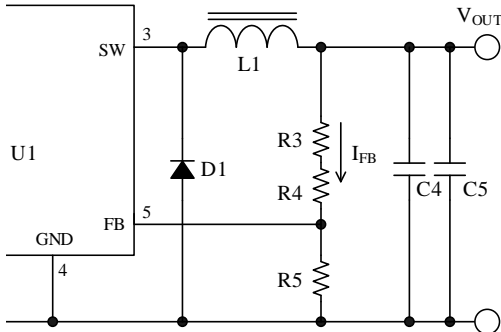


Figure 12-16. FB pin peripheral circuit

13. Pattern Layout Example

Ground trace must be connected as short as possible to the GND pin at single point grounding. The exposed pad on the back side of the package is connected to the ground trace. The larger copper plane can improve the heat release capability.

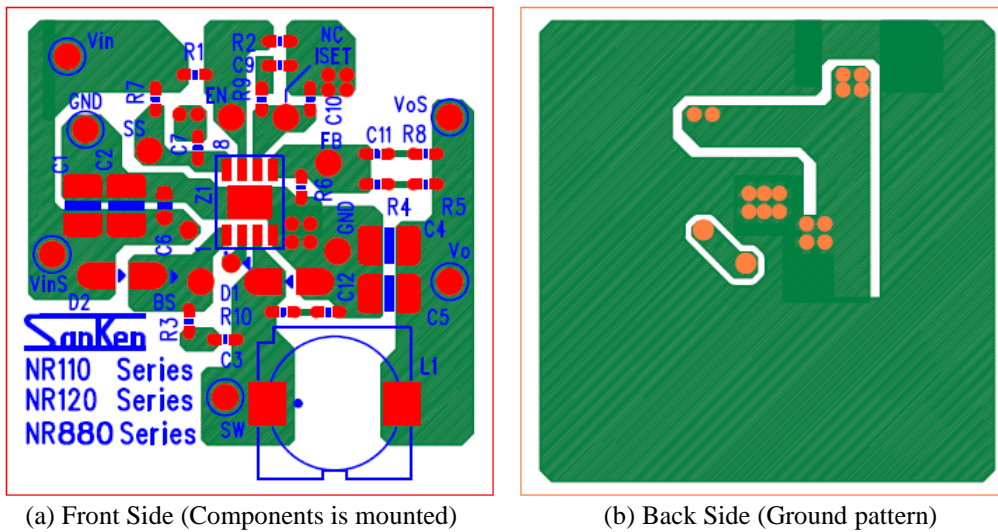


Figure 13-1. Pattern Layout Example (PCB size: 40 mm × 40 mm)

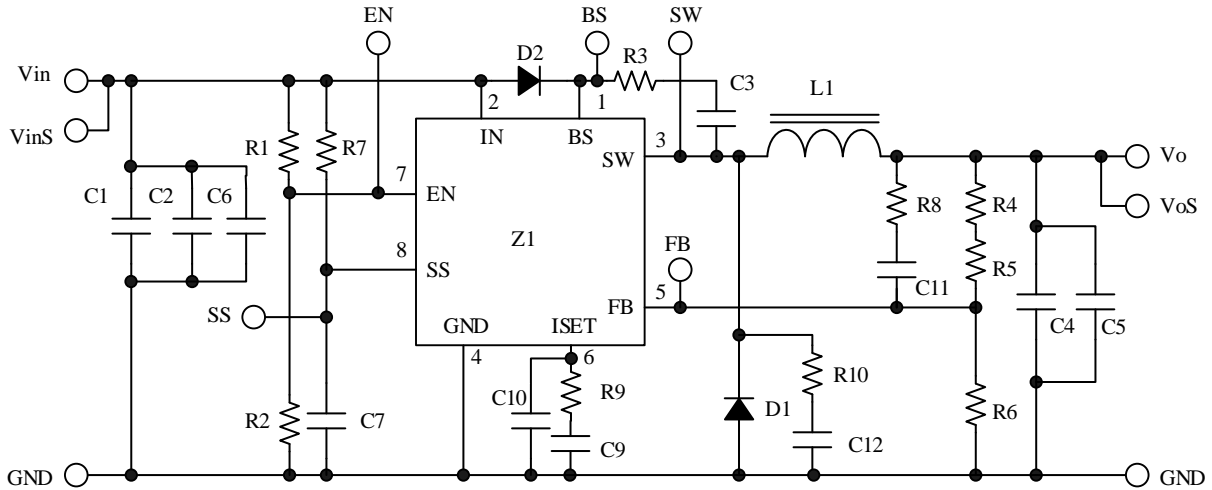


Figure 13-2. Pattern Layout Example Circuit

Table 13-1. Bill of Materials

Symbol	Ratings	Symbol	Ratings	Symbol	Ratings
C1	Ceramic, 22 μ F	C11	Open*	R5	6.8 k Ω ($V_{OUT} = 5.0$ V)
C2	Ceramic, 22 μ F	C12	Open*	R6	1.6 k Ω
C3	Ceramic, 0.1 μ F	D1	Schottky 40 V, 3.0 A	R7	Open
C4	Ceramic, 220 μ F	D2*	Open	R8*	Open
C5	Ceramic, 220 μ F	L1	150 μ H	R9	Short
C6*	Open	R1	100 k Ω	R10*	Open
C7	Ceramic, 0.1 μ F	R2	Option	Z1	Buck converter, NR110K
C9	Short	R3	22 Ω		
C10	Open	R4	1.6 k Ω		

* It is necessary to be adjusted based on actual operation in the application.

Important Notes

- All data, illustrations, graphs, tables and any other information included in this document (the “Information”) as to Sanken’s products listed herein (the “Sanken Products”) are current as of the date this document is issued. The Information is subject to any change without notice due to improvement of the Sanken Products, etc. Please make sure to confirm with a Sanken sales representative that the contents set forth in this document reflect the latest revisions before use.
- The Sanken Products are intended for use as components of general purpose electronic equipment or apparatus (such as home appliances, office equipment, telecommunication equipment, measuring equipment, etc.). Prior to use of the Sanken Products, please put your signature, or affix your name and seal, on the specification documents of the Sanken Products and return them to Sanken. When considering use of the Sanken Products for any applications that require higher reliability (such as transportation equipment and its control systems, traffic signal control systems or equipment, disaster/crime alarm systems, various safety devices, etc.), you must contact a Sanken sales representative to discuss the suitability of such use and put your signature, or affix your name and seal, on the specification documents of the Sanken Products and return them to Sanken, prior to the use of the Sanken Products. The Sanken Products are not intended for use in any applications that require extremely high reliability such as: aerospace equipment; nuclear power control systems; and medical equipment or systems, whose failure or malfunction may result in death or serious injury to people, i.e., medical devices in Class III or a higher class as defined by relevant laws of Japan (collectively, the “Specific Applications”). Sanken assumes no liability or responsibility whatsoever for any and all damages and losses that may be suffered by you, users or any third party, resulting from the use of the Sanken Products in the Specific Applications or in manner not in compliance with the instructions set forth herein.
- In the event of using the Sanken Products by either (i) combining other products or materials or both therewith or (ii) physically, chemically or otherwise processing or treating or both the same, you must duly consider all possible risks that may result from all such uses in advance and proceed therewith at your own responsibility.
- Although Sanken is making efforts to enhance the quality and reliability of its products, it is impossible to completely avoid the occurrence of any failure or defect or both in semiconductor products at a certain rate. You must take, at your own responsibility, preventative measures including using a sufficient safety design and confirming safety of any equipment or systems in/for which the Sanken Products are used, upon due consideration of a failure occurrence rate and derating, etc., in order not to cause any human injury or death, fire accident or social harm which may result from any failure or malfunction of the Sanken Products. Please refer to the relevant specification documents and Sanken’s official website in relation to derating.
- No anti-radioactive ray design has been adopted for the Sanken Products.
- The circuit constant, operation examples, circuit examples, pattern layout examples, design examples, recommended examples, all information and evaluation results based thereon, etc., described in this document are presented for the sole purpose of reference of use of the Sanken Products.
- Sanken assumes no responsibility whatsoever for any and all damages and losses that may be suffered by you, users or any third party, or any possible infringement of any and all property rights including intellectual property rights and any other rights of you, users or any third party, resulting from the Information.
- No information in this document can be transcribed or copied or both without Sanken’s prior written consent.
- Regarding the Information, no license, express, implied or otherwise, is granted hereby under any intellectual property rights and any other rights of Sanken.
- Unless otherwise agreed in writing between Sanken and you, Sanken makes no warranty of any kind, whether express or implied, including, without limitation, any warranty (i) as to the quality or performance of the Sanken Products (such as implied warranty of merchantability, and implied warranty of fitness for a particular purpose or special environment), (ii) that any Sanken Product is delivered free of claims of third parties by way of infringement or the like, (iii) that may arise from course of performance, course of dealing or usage of trade, and (iv) as to the Information (including its accuracy, usefulness, and reliability).
- In the event of using the Sanken Products, you must use the same after carefully examining all applicable environmental laws and regulations that regulate the inclusion or use or both of any particular controlled substances, including, but not limited to, the EU RoHS Directive, so as to be in strict compliance with such applicable laws and regulations.
- You must not use the Sanken Products or the Information for the purpose of any military applications or use, including but not limited to the development of weapons of mass destruction. In the event of exporting the Sanken Products or the Information, or providing them for non-residents, you must comply with all applicable export control laws and regulations in each country including the U.S. Export Administration Regulations (EAR) and the Foreign Exchange and Foreign Trade Act of Japan, and follow the procedures required by such applicable laws and regulations.
- Sanken assumes no responsibility for any troubles, which may occur during the transportation of the Sanken Products including the falling thereof, out of Sanken’s distribution network.
- Although Sanken has prepared this document with its due care to pursue the accuracy thereof, Sanken does not warrant that it is error free and Sanken assumes no liability whatsoever for any and all damages and losses which may be suffered by you resulting from any possible errors or omissions in connection with the Information.
- Please refer to our official website in relation to general instructions and directions for using the Sanken Products, and refer to the relevant specification documents in relation to particular precautions when using the Sanken Products.
- All rights and title in and to any specific trademark or tradename belong to Sanken and such original right holder(s).

DSGN-CEZ-16003