

NLAS7223C

High-Speed USB 2.0 (480 Mbps) DPDT Switches

The NLAS7223C DPDT switch is optimized for high-speed USB 2.0 applications within portable systems. It features ultra-low on capacitance, $C_{ON} = 7.5$ pF (typ), and a bandwidth above 900 MHz. It is optimized for applications that use a single USB interface connector to route multiple signal types. The C_{ON} and R_{ON} of both channels are suitably low to allow the NLAS7223C to pass any speed USB data or audio signals going to a moderately resistive terminal such as an external headset. It is offered in a UQFN10 1.4 mm x 1.8 mm package.

Features

- Optimized Flow-Through Pinout on NLAS7223C
- R_{ON} : 7.5 Ω Typ @ $V_{CC} = 4.2$ V
- C_{ON} : 7.5 pF Typ @ $V_{CC} = 3.3$ V
- V_{CC} Range: 1.65 V to 4.5 V
- Typical Bandwidth: 900 MHz
- 1.4 mm x 1.8 mm x 0.50 mm UQFN10
- OVT on Common Signal Pins D+/D- up to 5.25 V
- 8 kV ESD Protection on D+/D- to GND
- This is a Pb-Free Device

Typical Applications

- High Speed USB 2.0 Data
- Mobile Phones
- Portable Devices

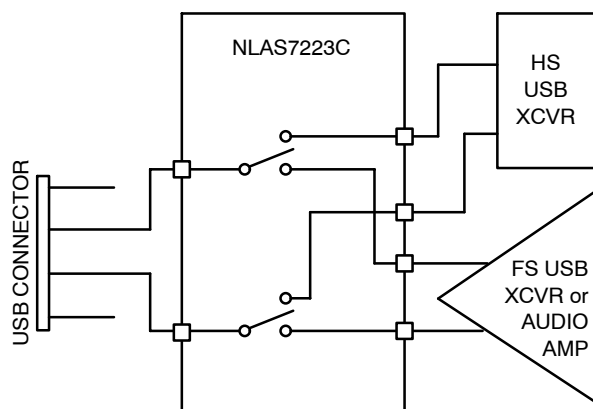


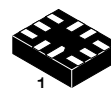
Figure 1. Application Diagram



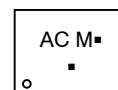
ON Semiconductor®

<http://onsemi.com>

MARKING DIAGRAM



UQFN10
CASE 488AT



AC = Device Code
M = Date Code
▪ = Pb-Free Device

(Note: Microdot may be in either location)

ORDERING INFORMATION

See detailed ordering and shipping information in the package dimensions section on page 8 of this data sheet.

NLAS7223C

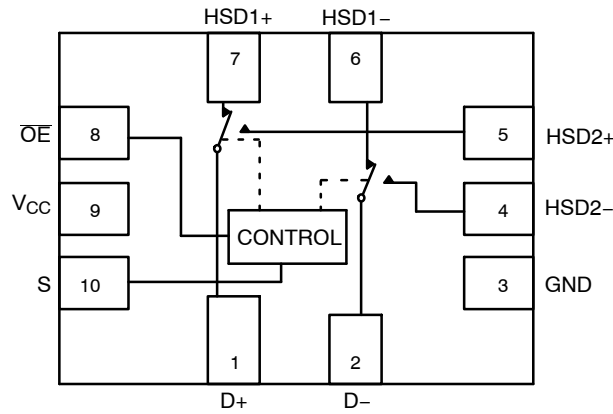


Figure 2. Pin Connections and Logic Diagram
(NLA7223C, Top View)

Table 1. PIN DESCRIPTION

Pin	Function
S	Control Input
\overline{OE}	Output Enable
HSD1+, HSD1-, HSD2+, HSD2-, D+, D-	Data Ports

Table 2. TRUTH TABLE

\overline{OE}	S	HSD1+, HSD1-	HSD2+, HSD2-
1	X	OFF	OFF
0	0	ON	OFF
0	1	OFF	ON

MAXIMUM RATINGS

Symbol	Pins	Parameter	Value	Unit
V_{CC}	V_{CC}	Positive DC Supply Voltage	-0.5 to +5.5	V
V_{IS}	HSDn+, HSDn-	Analog Signal Voltage	-0.5 to $V_{CC} + 0.3$	V
	D+, D-		-0.5 to +5.25	
V_{IN}	S, \overline{OE}	Control Input Voltage, Output Enable Voltage	-0.5 to +5.5	V
I_{CC}	V_{CC}	Positive DC Supply Current	50	mA
T_S		Storage Temperature	-65 to +150	°C
I_{IS_CON}	HSDn+, HSDn-, D+, D-	Analog Signal Continuous Current-Closed Switch	± 300	mA
I_{IS_PK}	HSDn+, HSDn-, D+, D-	Analog Signal Continuous Current 10% Duty Cycle	± 500	mA
I_{IN}	S, \overline{OE}	Control Input Current, Output Enable Current	± 20	mA

Stresses exceeding Maximum Ratings may damage the device. Maximum Ratings are stress ratings only. Functional operation above the Recommended Operating Conditions is not implied. Extended exposure to stresses above the Recommended Operating Conditions may affect device reliability.

RECOMMENDED OPERATING CONDITIONS

Symbol	Pins	Parameter	Min	Max	Unit
V_{CC}		Positive DC Supply Voltage	1.65	4.5	V
V_{IS}	HSDn+, HSDn-	Analog Signal Voltage	GND	V_{CC}	V
	D+, D-		GND	4.5	
V_{IN}	S, \overline{OE}	Control Input Voltage, Output Enable Voltage	GND	V_{CC}	V
T_A		Operating Temperature	-40	+85	°C

Minimum and maximum values are guaranteed through test or design across the Recommended Operating Conditions, where applicable. Typical values are listed for guidance only and are based on the particular conditions listed for section, where applicable. These conditions are valid for all values found in the characteristics tables unless otherwise specified in the test conditions.

NLAS7223C

ESD PROTECTION

Symbol	Parameter	Value	Unit
ESD	Human Body Model – All Pins	3.0	kV

DC ELECTRICAL CHARACTERISTICS

CONTROL INPUT, OUTPUT ENABLE VOLTAGE (Typical: T = 25°C)

Symbol	Pins	Parameter	Test Conditions	V _{CC} (V)	–40°C to +85°C			Unit
					Min	Typ	Max	
V _{IH}	S, \overline{OE}	Control Input, Output Enable HIGH Voltage (See Figure 11)		2.7 3.3 4.2	1.25 1.25 1.25	–	–	V
V _{IL}	S, \overline{OE}	Control Input, Output Enable LOW Voltage (See Figure 11)		2.7 3.3 4.2	–	–	0.4 0.4 0.5	V
I _{IN}	S, \overline{OE}	Current Input, Output Enable Leakage Current	$0 \leq V_{IS} \leq V_{CC}$	1.65 – 4.5	–	–	±1.0	μA

SUPPLY CURRENT AND LEAKAGE (Typical: T = 25°C, V_{CC} = 3.3 V)

Symbol	Pins	Parameter	Test Conditions	V _{CC} (V)	–40°C to +85°C			Unit
					Min	Typ	Max	
I _{CC}	V _{CC}	Quiescent Supply Current	V _{IS} = V _{CC} or GND; I _D = 0 A	1.65 – 4.5	–	–	1.0	μA
I _{OZ}		OFF State Leakage	$0 \leq V_{IS} \leq V_{CC}$	1.65 – 4.5	–	±0.1	±1.0	μA
I _{OFF}	D+, D–	Power OFF Leakage Current	$0 \leq V_{IS} \leq V_{CC}$	0	–	–	±1.0	μA

LIMITED V_{IS} SWING ON RESISTANCE (Typical: T = 25°C)

Symbol	Pins	Parameter	Test Conditions	V _{CC} (V)	–40°C to +85°C			Unit
					Min	Typ	Max	
R _{ON}		On-Resistance	I _{ON} = 8 mA V _{IS} = 0 V to 0.4 V	2.7 3.3 4.2	–	6.0 6.0 5.5	–	Ω
R _{FLAT}		On-Resistance Flatness	I _{ON} = 8 mA V _{IS} = 0 V to 0.4 V	2.7 3.3 4.2	–	0.35 0.35 0.20	–	Ω
ΔR _{ON}		On-Resistance Matching	I _{ON} = 8 mA V _{IS} = 0 V to 0.4 V	2.7 3.3 4.2	–	0.8 0.7 0.5	–	Ω

FULL V_{IS} SWING ON RESISTANCE (Typical: T = 25°C)

Symbol	Pins	Parameter	Test Conditions	V _{CC} (V)	–40°C to +85°C			Unit
					Min	Typ	Max	
R _{ON}		On-Resistance	I _{ON} = 8 mA V _{IS} = 0 V to V _{CC}	2.7 3.3 4.2	–	9.3 8.7 7.5	–	Ω
R _{FLAT}		On-Resistance Flatness	I _{ON} = 8 mA V _{IS} = 0 V to V _{CC}	2.7 3.3 4.2	–	3.6 3.3 2.9	–	Ω
ΔR _{ON}		On-Resistance	I _{ON} = 8 mA V _{IS} = 0 V to V _{CC}	2.7 3.3 4.2	–	0.8 0.7 0.5	–	Ω

NLAS7223C

AC ELECTRICAL CHARACTERISTICS

TIMING/FREQUENCY (Typical: $T = 25^{\circ}\text{C}$, $V_{\text{CC}} = 3.3\text{ V}$, $R_{\text{L}} = 50\ \Omega$, $C_{\text{L}} = 35\ \text{pF}$, $f = 1\ \text{MHz}$)

Symbol	Pins	Parameter	Test Conditions	$V_{\text{CC}}\ (\text{V})$	-40°C to $+85^{\circ}\text{C}$			Unit
					Min	Typ	Max	
t_{ON}	Closed to Open	Turn-ON Time (See Figures 4 and 5)		1.65 – 4.5	–	13.0	30.0	ns
t_{OFF}	Open to Closed	Turn-OFF Time (See Figures 4 and 5)		1.65 – 4.5	–	12.0	25.0	ns
T_{BMM}		Break-Before-Make Time (See Figure 3)		1.65 – 4.5	2.0	–	–	ns
BW		-3 dB Bandwidth	$C_{\text{L}} = 5\ \text{pF}$	1.65 – 4.5	–	900	–	MHz

ISOLATION (Typical: $T = 25^{\circ}\text{C}$, $V_{\text{CC}} = 3.3\text{ V}$, $R_{\text{L}} = 50\ \Omega$, $C_{\text{L}} = 5\ \text{pF}$)

Symbol	Pins	Parameter	Test Conditions	$V_{\text{CC}}\ (\text{V})$	-40°C to $+85^{\circ}\text{C}$			Unit
					Min	Typ	Max	
O_{IRR}	Open	OFF-Isolation (See Figure 6)	$f = 240\ \text{MHz}$	1.65 – 4.5	–	-21	–	dB
X_{TALK}	HSD+ to HSD-	Non-Adjacent Channel Crosstalk	$f = 240\ \text{MHz}$	1.65 – 4.5	–	-21	–	dB

CAPACITANCE (Typical: $T = 25^{\circ}\text{C}$, $V_{\text{CC}} = 3.3\text{ V}$, $R_{\text{L}} = 50\ \Omega$, $C_{\text{L}} = 5\ \text{pF}$)

Symbol	Pins	Parameter	Test Conditions	-40°C to $+85^{\circ}\text{C}$			Unit
				Min	Typ	Max	
C_{IN}	S, $\overline{\text{OE}}$	Control Pin, Output Enable Input Capacitance	$V_{\text{CC}} = 0\ \text{V}$, $f = 1\ \text{MHz}$	–	1.5	–	pF
			$V_{\text{CC}} = 0\ \text{V}$, $f = 10\ \text{MHz}$	–	1.0	–	
C_{ON}	D+ to HSD1+ or HSD2+	ON Capacitance	$V_{\text{CC}} = 3.3\ \text{V}$; $\overline{\text{OE}} = 0\ \text{V}$, $S = 0\ \text{V}$ or $3.3\ \text{V}$ $f = 1\ \text{MHz}$	–	7.5	–	
			$V_{\text{CC}} = 3.3\ \text{V}$; $\overline{\text{OE}} = 0\ \text{V}$, $S = 0\ \text{V}$ or $3.3\ \text{V}$ $f = 10\ \text{MHz}$	–	6.5	–	
C_{OFF}	HSD1n or HSD2n	OFF Capacitance	$V_{\text{CC}} = V_{\text{IS}} = 3.3\ \text{V}$; $\overline{\text{OE}} = 0\ \text{V}$, $S = 3.3\ \text{V}$ or $0\ \text{V}$, $f = 1\ \text{MHz}$	–	3.8	–	
			$V_{\text{CC}} = V_{\text{IS}} = 3.3\ \text{V}$; $\overline{\text{OE}} = 0\ \text{V}$, $S = 3.3\ \text{V}$ or $0\ \text{V}$, $f = 10\ \text{MHz}$	–	2.0	–	

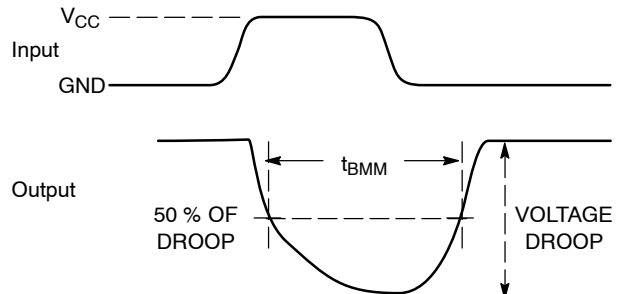
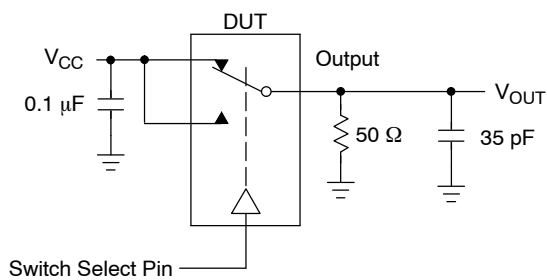


Figure 3. t_{BMM} (Time Break-Before-Make)

NLAS7223C

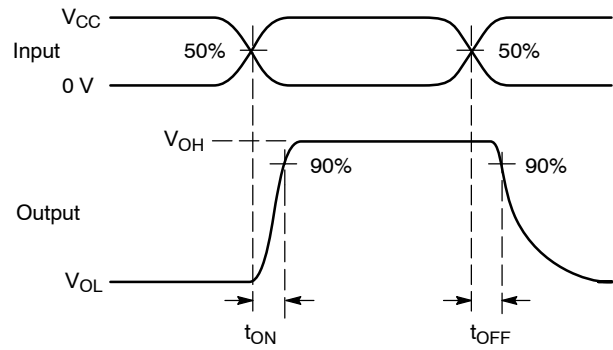
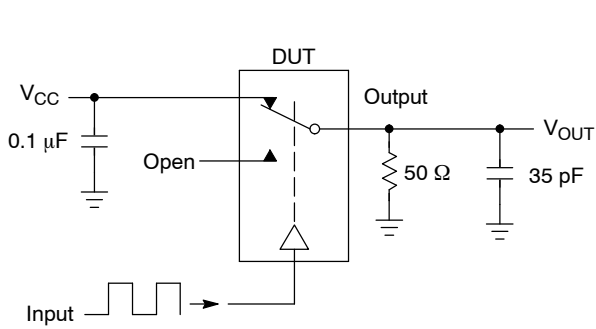


Figure 4. t_{ON}/t_{OFF}

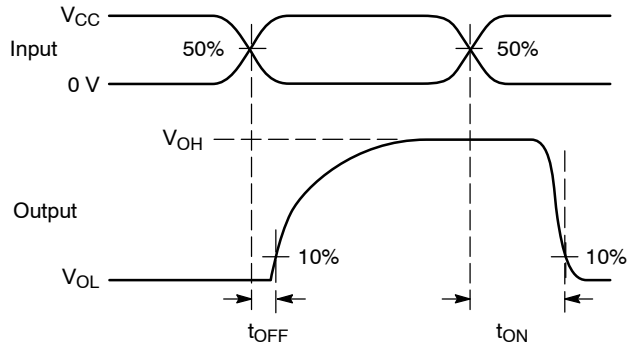
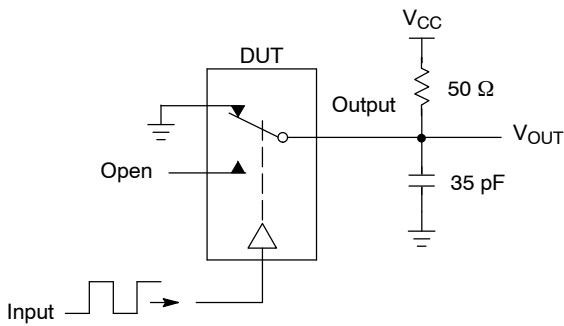
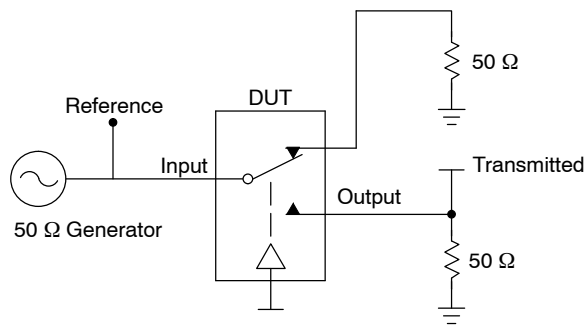


Figure 5. t_{ON}/t_{OFF}



Channel switch control/s test socket is normalized. Off isolation is measured across an off channel. On loss is the bandwidth of an On switch. V_{ISO} , Bandwidth and V_{ONL} are independent of the input signal direction.

$$V_{ISO} = \text{Off Channel Isolation} = 20 \text{ Log} \left(\frac{V_{OUT}}{V_{IN}} \right) \text{ for } V_{IN} \text{ at } 100 \text{ kHz}$$

$$V_{ONL} = \text{On Channel Loss} = 20 \text{ Log} \left(\frac{V_{OUT}}{V_{IN}} \right) \text{ for } V_{IN} \text{ at } 100 \text{ kHz to } 50 \text{ MHz}$$

Bandwidth (BW) = the frequency 3 dB below V_{ONL}

V_{CT} = Use V_{ISO} setup and test to all other switch analog input/outputs terminated with 50 Ω

Figure 6. Off Channel Isolation/On Channel Loss (BW)/Crosstalk (On Channel to Off Channel)/ V_{ONL}

NLAS7223C

DETAILED DESCRIPTION

High Speed (480Mbps) USB 2.0 Optimized

The NLAS7223C is a DPDT switch designed for USB applications within portable systems. The R_{ON} and C_{ON} of both switches are maintained at industry-leading low levels in order to ensure maximum signal integrity for USB 2.0 high speed data communication. The NLAS7223C switch can be used to switch between high speed (480Mbps) USB signals and a variety of audio or data signals such as full speed USB, UART or even a moderately resistive audio terminal.

Over Voltage Tolerant

The NLAS7223C features over voltage tolerant I/O protection on the common signal pins D+/D-. This allows the switch to interface directly with a USB connector. The D+/D- pins can withstand a short to V_{BUS} , up to 5.25 V, continuous DC current for up to 24 hours as specified in the USB 2.0 specification. This protection is achieved without the need for any external resistors or protection devices.

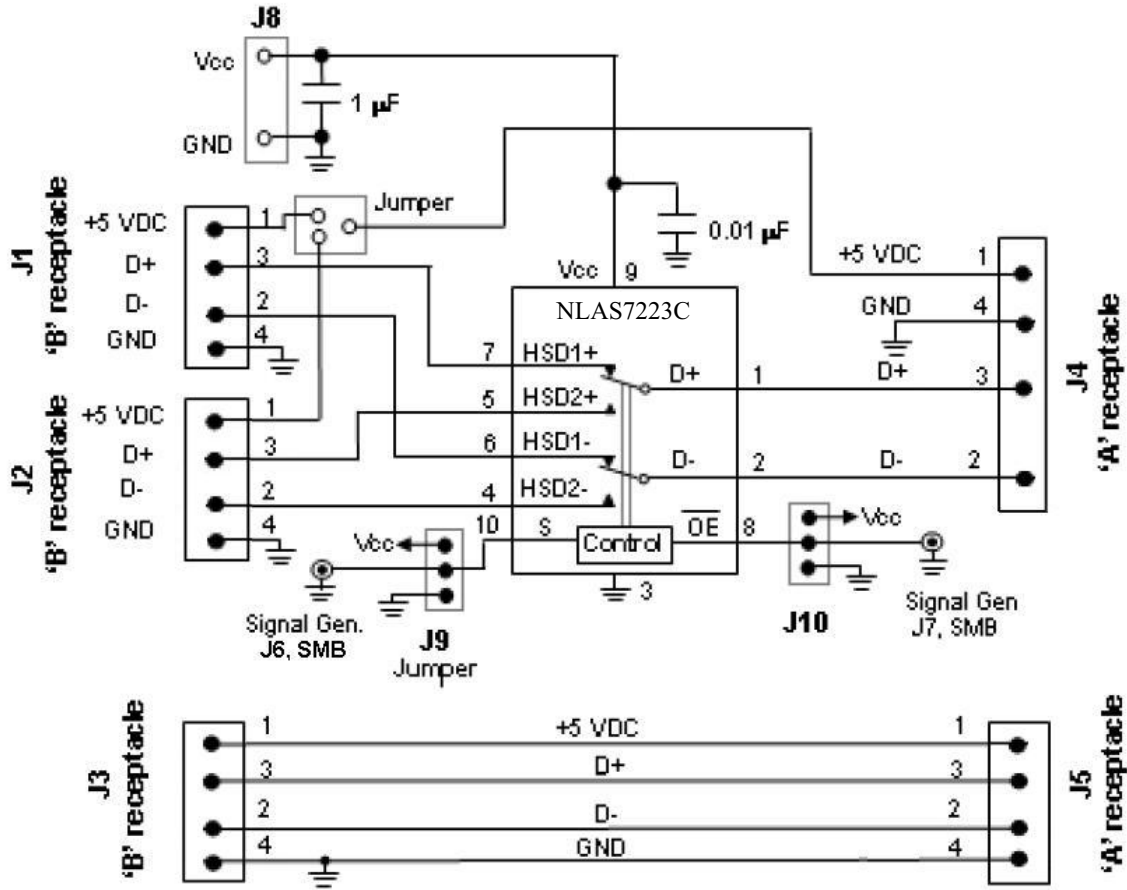


Figure 7. Board Schematic

NLAS7223C

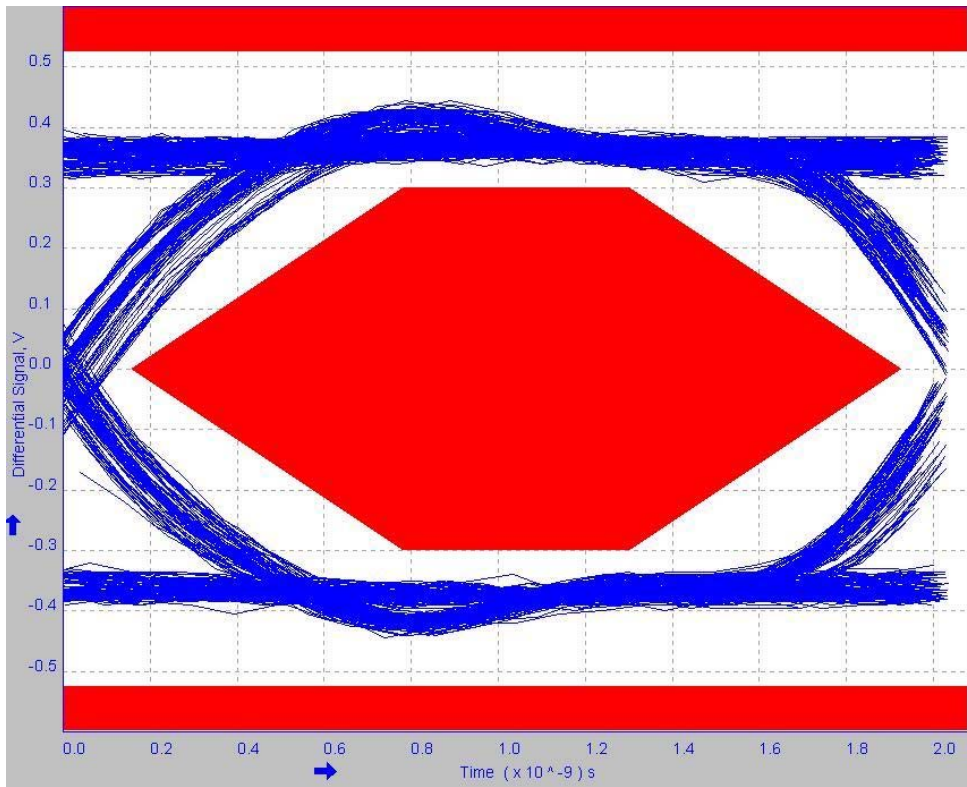


Figure 8. Signal Quality

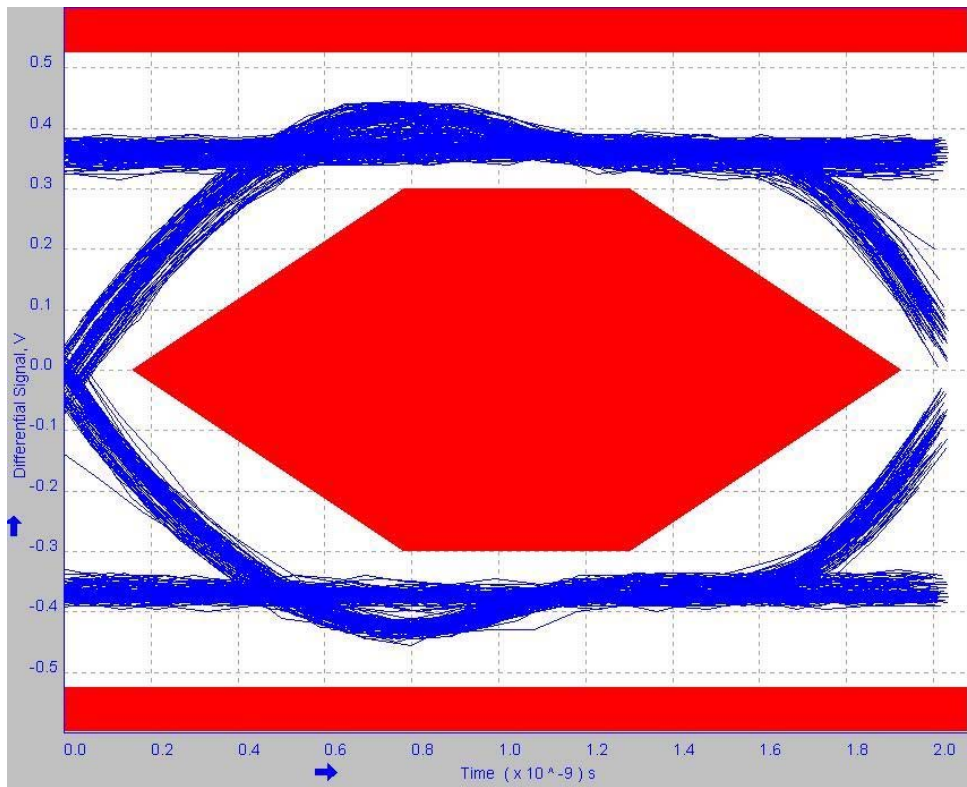


Figure 9. Near End Eye Diagram

NLAS7223C

Near End Test Data:				Min	Max	
Std.	Consecutive jitter range	-61.64	113.30	ps	-200 ps	+200 ps
	Paired JK jitter range	-58.36	46.47	ps		
	Paired KJ jitter range	-62.00	81.30	ps		
NO	Consecutive jitter range	-66.69	69.37	ps	-200 ps	+200 ps
	Paired JK jitter range	-74.71	60.06	ps		
	Paired KJ jitter range	-58.86	70.90	ps		

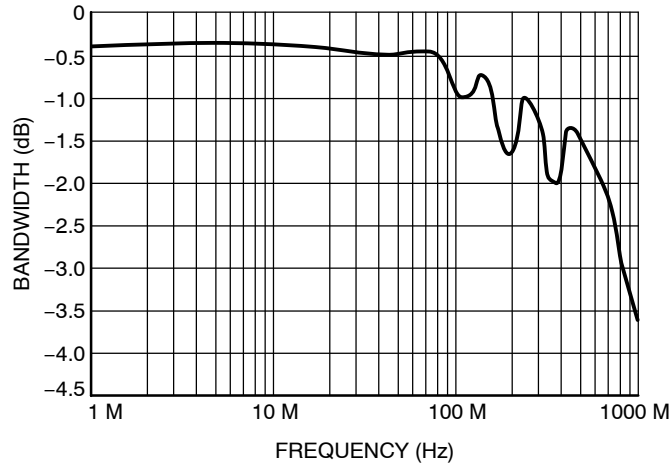


Figure 10. Bandwidth vs. Frequency

I_{CC} Leakage Current as a Function of V_{IN} Voltage

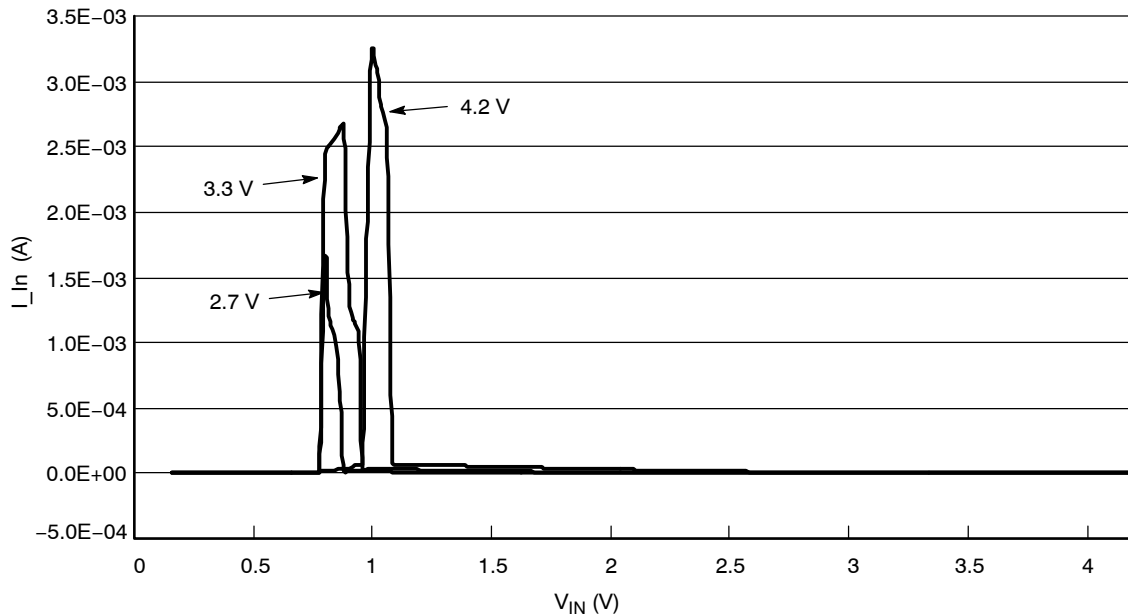


Figure 11. I_{CC} Leakage Current vs. V_{IN} Voltage

ORDERING INFORMATION

Device	Package	Shipping†
NLAS7223CMUTBG	UQFN-10 (Pb-Free)	3000 / Tape & Reel

†For information on tape and reel specifications, including part orientation and tape sizes, please refer to our Tape and Reel Packaging Specifications Brochure, BRD8011/D.

MECHANICAL CASE OUTLINE

PACKAGE DIMENSIONS

ON Semiconductor®



UQFN10 1.4x1.8, 0.4P CASE 488AT-01 ISSUE A

DATE 01 AUG 2007



SCALE 5:1



- NOTES:
- DIMENSIONING AND TOLERANCING PER ASME Y14.5M, 1994.
 - CONTROLLING DIMENSION: MILLIMETERS
 - DIMENSION b APPLIES TO PLATED TERMINAL AND IS MEASURED BETWEEN 0.25 AND 0.30 MM FROM TERMINAL.
 - COPLANARITY APPLIES TO THE EXPOSED PAD AS WELL AS THE TERMINALS.

GENERIC MARKING DIAGRAM*



- XX = Specific Device Code
 - M = Date Code
 - = Pb-Free Package
- (Note: Microdot may be in either location)

*This information is generic. Please refer to device data sheet for actual part marking. Pb-Free indicator, "G" or microdot "▪", may or may not be present.

MOUNTING FOOTPRINT



DOCUMENT NUMBER:	98AON22493D	Electronic versions are uncontrolled except when accessed directly from the Document Repository. Printed versions are uncontrolled except when stamped "CONTROLLED COPY" in red.
DESCRIPTION:	10 PIN UQFN, 1.4 X 1.8, 0.4P	PAGE 1 OF 1

ON Semiconductor and ON are trademarks of Semiconductor Components Industries, LLC dba ON Semiconductor or its subsidiaries in the United States and/or other countries. ON Semiconductor reserves the right to make changes without further notice to any products herein. ON Semiconductor makes no warranty, representation or guarantee regarding the suitability of its products for any particular purpose, nor does ON Semiconductor assume any liability arising out of the application or use of any product or circuit, and specifically disclaims any and all liability, including without limitation special, consequential or incidental damages. ON Semiconductor does not convey any license under its patent rights nor the rights of others.

onsemi, **Onsemi**, and other names, marks, and brands are registered and/or common law trademarks of Semiconductor Components Industries, LLC dba "**onsemi**" or its affiliates and/or subsidiaries in the United States and/or other countries. **onsemi** owns the rights to a number of patents, trademarks, copyrights, trade secrets, and other intellectual property. A listing of **onsemi**'s product/patent coverage may be accessed at www.onsemi.com/site/pdf/Patent-Marking.pdf. **onsemi** reserves the right to make changes at any time to any products or information herein, without notice. The information herein is provided "as-is" and **onsemi** makes no warranty, representation or guarantee regarding the accuracy of the information, product features, availability, functionality, or suitability of its products for any particular purpose, nor does **onsemi** assume any liability arising out of the application or use of any product or circuit, and specifically disclaims any and all liability, including without limitation special, consequential or incidental damages. Buyer is responsible for its products and applications using **onsemi** products, including compliance with all laws, regulations and safety requirements or standards, regardless of any support or applications information provided by **onsemi**. "Typical" parameters which may be provided in **onsemi** data sheets and/or specifications can and do vary in different applications and actual performance may vary over time. All operating parameters, including "Typicals" must be validated for each customer application by customer's technical experts. **onsemi** does not convey any license under any of its intellectual property rights nor the rights of others. **onsemi** products are not designed, intended, or authorized for use as a critical component in life support systems or any FDA Class 3 medical devices or medical devices with a same or similar classification in a foreign jurisdiction or any devices intended for implantation in the human body. Should Buyer purchase or use **onsemi** products for any such unintended or unauthorized application, Buyer shall indemnify and hold **onsemi** and its officers, employees, subsidiaries, affiliates, and distributors harmless against all claims, costs, damages, and expenses, and reasonable attorney fees arising out of, directly or indirectly, any claim of personal injury or death associated with such unintended or unauthorized use, even if such claim alleges that **onsemi** was negligent regarding the design or manufacture of the part. **onsemi** is an Equal Opportunity/Affirmative Action Employer. This literature is subject to all applicable copyright laws and is not for resale in any manner.

ADDITIONAL INFORMATION

TECHNICAL PUBLICATIONS:

Technical Library: www.onsemi.com/design/resources/technical-documentation
onsemi Website: www.onsemi.com

ONLINE SUPPORT: www.onsemi.com/support

For additional information, please contact your local Sales Representative at www.onsemi.com/support/sales

