

# NLAS4717EP

## 4.5 Ω High Bandwidth, Dual SPDT Analog Switch

The NLAS4717EP is an advanced CMOS analog switch fabricated in sub-micron silicon gate CMOS technology. The device is a dual independent Single Pole Double Throw (SPDT) switch featuring low  $R_{DS(on)}$  of 4.5 Ω at 3.0 V.

The device also features guaranteed Break-Before-Make (BBM) switching, assuring the switches never short the driver.

The NLAS4717EP is available in two small size packages:

- ◆ Microbump: 2.0 x 1.5 mm
- ◆ WQFN-10: 1.4 x 1.8 mm

### Features

- Low  $R_{DS(on)}$ : 4.5 Ω @ 3.0 V
- Matching Between the Switches  $\pm 0.5 \Omega$
- Wide Voltage Range: 1.8 V to 5.5 V
- High Bandwidth > 90 MHz
- 1.65 V to 5.5 V Operating Range
- Low Threshold Voltages on Pins 4 and 8 (CTRL Pins)
- Ultra-Low Charge Injection  $\leq 6.0$  pC
- Low Standby Current:  $I_{CC} = 1.0$  nA (Max) @  $T_A = 25^\circ\text{C}$
- \*OVT on Pins 4 and 8 (CTRL Logic Pins)
- These are Pb-Free Devices

### Typical Applications

- Cell Phones
- PDAs
- MP3s
- Digital Still Cameras
- USB 2.0 Full Speed (USB1.1) – 12 Mbps Compliant

### Important Information

- ESD Protection:
  - ◆ Human Body Model (HBM) = 2500 V,
  - ◆ Machine Model (MM) = 200 V
- Latchup Max Rating: 200 mA (Per JEDEC EIA/JESD78)
- Pin-to-Pin Compatible with MAX4717

### \*OVT

- Overvoltage Tolerant (OVT) specific pins operate higher than normal supply voltages, with no damage to the devices or to signal integrity.



**ON Semiconductor®**

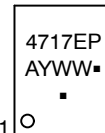
<http://onsemi.com>

### MARKING DIAGRAMS



A1

**Microbump-10  
CASE 489AA**



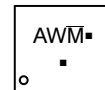
A1

A = Assembly Location  
 Y = Year  
 W, WW = Work Week  
 ■ = Pb-Free Package  
 (Note: Microdot may be in either location)



1

**WQFN-10  
CASE 488AQ**



AW = Specific Device Code  
 M = Date Code  
 ■ = Pb-Free Device  
 (Note: Microdot may be in either location)

### FUNCTION TABLE

IN <sub>-</sub>	NO <sub>-</sub>	NC <sub>-</sub>
0	OFF	ON
1	ON	OFF

### ORDERING INFORMATION

Device	Package	Shipping <sup>†</sup>
NLAS4717EPFCT1G	Microbump-10 (Pb-Free)	3000 / Tape & Reel
NLAS4717EPMTR2G	WQFN-10 (Pb-Free)	3000 / Tape & Reel

<sup>†</sup>For information on tape and reel specifications, including part orientation and tape sizes, please refer to our Tape and Reel Packaging Specifications Brochure, BRD8011/D.

# NLAS4717EP

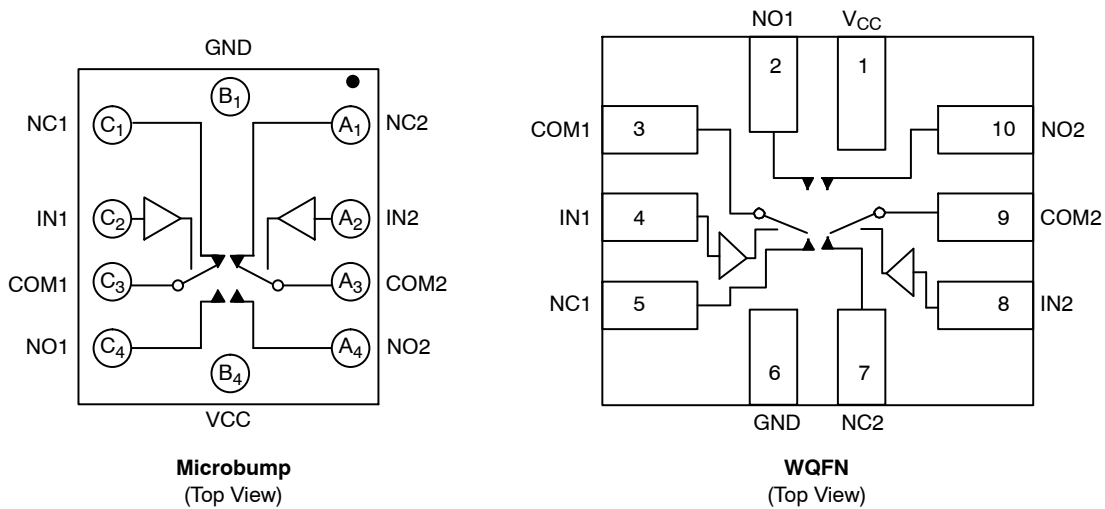


Figure 1. Device Circuit Diagrams and Pin Configurations

## MAXIMUM RATINGS

Symbol	Parameter	Value	Unit
V+	DC Supply Voltage	-0.5 to +7.0	V
V <sub>IS</sub>	Analog Input Voltage (V <sub>NO</sub> , V <sub>NC</sub> , or V <sub>COM</sub> ) (Note 1)	-0.5 ≤ V <sub>IS</sub> ≤ V <sub>CC</sub> + 0.5	V
V <sub>IN</sub>	Digital Select Input Voltage	-0.5 ≤ V <sub>I</sub> ≤ +7.0	V
I <sub>IK</sub>	DC Current, Into or Out of Any Pin (Continuous)	±100	mA
I <sub>PK</sub>	Peak Current (10% Duty Cycle)	±200	mA

Stresses exceeding Maximum Ratings may damage the device. Maximum Ratings are stress ratings only. Functional operation above the Recommended Operating Conditions is not implied. Extended exposure to stresses above the Recommended Operating Conditions may affect device reliability.

- Signal voltage on NC, NO, and COM exceeding V<sub>CC</sub> or GND are clamped by the internal diodes. Limit forward diode current to maximum current rating.

## RECOMMENDED OPERATING CONDITIONS

Symbol	Parameter	Min	Max	Unit
V+	DC Supply Voltage	1.8	5.5	V
V <sub>IN</sub>	Digital Select Input Voltage	GND	5.5	V
V <sub>IS</sub>	Analog Input Voltage (NC, NO, COM)	GND	V <sub>CC</sub>	V
T <sub>A</sub>	Operating Temperature Range	-40	+85	°C
t <sub>r</sub> , t <sub>f</sub>	Input Rise or Fall Time, SELECT V <sub>CC</sub> = 3.3 V ± 0.3 V V <sub>CC</sub> = 5.0 V ± 0.5 V	0 0	100 20	ns/V

# NLAS4717EP

## ANALOG SWITCH DC CHARACTERISTICS

Symbol	Parameter	Condition	V <sub>CC</sub> (V)	-40°C to +85°C		Unit
				Min	Max	
V <sub>IH</sub>	Input Logic High Voltage	V <sub>OUT</sub> = 0.1 V I <sub>OUT</sub> ≤ 20 μA	1.65 to 2.2 2.7 to 3.6 4.5 to 5.5	V <sub>CC</sub> × 0.55 V <sub>CC</sub> × 0.5 2.0	- - -	V
V <sub>IL</sub>	Input Logic Low Voltage	V <sub>OUT</sub> = -V <sub>CC</sub> - 0.1 V I <sub>OUT</sub> ≤ 20 μA	1.65 to 2.2 2.7 to 3.6 4.5 to 5.5	- - -	V <sub>CC</sub> × 0.2 V <sub>CC</sub> × 0.2 0.8	V
I <sub>IN</sub>	Input Leakage Current	V <sub>IN</sub> = V <sub>CC</sub> or GND	5.5	-100	+100	nA
V <sub>CC</sub>	Power Supply Range	All	-	1.65	5.5	V
I <sub>CC</sub>	Supply Current	V <sub>IN</sub> = V <sub>CC</sub> or GND I <sub>OUT</sub> = 0 μA	1.8 3.3 5.5	- - -	1.0 1.0 1.0	μA

## ANALOG SWITCH CHARACTERISTICS – Digital Section (Voltages Referenced to GND)

Symbol	Parameter	Condition	V <sub>CC</sub> (V)	-40°C to +85°C			Unit
				Min	Typ	Max	
R <sub>ON</sub>	ON Resistance (Note 2)	I <sub>COM</sub> = 10 mA V <sub>IS</sub> = 0 to V <sub>CC</sub>	3.0	-	3.2	4.5	Ω
			5.0	-	2.1	3.5	
ΔR <sub>ON</sub>	ON Resistance Match Between Channels (Note 2 and 3)	I <sub>COM</sub> = 10 mA V <sub>IS</sub> = 0 to V <sub>CC</sub>	3.0	-	0.1	0.4	Ω
			5.0	-	0.1	0.4	
R <sub>FLAT[ON]</sub>	ON Resistance Flatness (Note 4)	I <sub>COM</sub> = 10 mA V <sub>IS</sub> = 0 to V <sub>CC</sub>	3.0	-	1.12	1.5	Ω
			5.0	-	0.55	1.36	
I <sub>NO_[OFF]</sub> I <sub>NC_[OFF]</sub>	NO_, NC_ Off-Leakage Current (Note 5)	V <sub>COM</sub> = 0.3 V or 3.3 V V <sub>NO</sub> or V <sub>NC</sub> = 0.3 V or 3.3 V	3.6	-1.0	0.01	+1.0	nA
			5.5	-1.0	0.01	+1.0	
I <sub>COM_[ON]</sub>	COM_ On-Leakage Current (Note 5)	V <sub>COM</sub> = 0.3 V or 3.3 V V <sub>NO</sub> or V <sub>NC</sub> = 0.3 V or 3.3 V	3.6	-2.0	0.01	+2.0	nA
			5.5	-2.0	0.01	+2.0	

# NLAS4717EP

## ANALOG SWITCH AC CHARACTERISTICS

Symbol	Parameter	Condition	V <sub>CC</sub> (V)	-40°C to +85°C			Unit
				Min	Typ	Max	
t <sub>ON</sub>	Turn-On Time	V <sub>NC_</sub> , V <sub>NO_</sub> = V <sub>IH</sub> or V <sub>IL</sub> R <sub>L</sub> = 300 Ω, C <sub>L</sub> = 35 pF V <sub>IN[x]</sub> = V <sub>IH</sub> or V <sub>IL</sub>	1.8 to 5.5	-	-	30	nS
t <sub>OFF</sub>	Turn-Off Time	V <sub>NC_</sub> , V <sub>NO_</sub> = V <sub>IH</sub> or V <sub>IL</sub> R <sub>L</sub> = 300 Ω, C <sub>L</sub> = 35 pF V <sub>IN[x]</sub> = V <sub>IH</sub> or V <sub>IL</sub>	1.8 to 5.5	-	-	40	nS
t <sub>BBM</sub>	Break-Before-Make Time Delay (Note 5)	V <sub>NC_</sub> , V <sub>NO_</sub> = 1.5 V R <sub>L</sub> = 300 Ω, C <sub>L</sub> = 35 pF	-	-	8.0	-	nS
t <sub>SKEW</sub>	Skew (Note 5)	R <sub>S</sub> = 39 Ω, C <sub>L</sub> = 50 pF	-	-	0.15	2.0	nS

- R<sub>ON</sub> characterized for V<sub>CC</sub> range (1.65 V to 5.5 V).
- ΔR<sub>ON</sub> = R<sub>ON</sub>(MAX) - R<sub>ON</sub>(MIN).
- R<sub>FLAT[ON]</sub> = R<sub>ON</sub>(MAX) - R<sub>ON</sub>(MIN), measured over V<sub>CC</sub> range.
- Guaranteed by design.

## ANALOG SWITCH APPLICATION CHARACTERISTICS

Symbol	Parameter	Condition	V <sub>CC</sub> (V)	-40°C to +85°C			Unit
				Min	Typ	Max	
Q	Charge Injection	V <sub>IN</sub> = V <sub>CC</sub> to GND R <sub>In</sub> = 0 Ω, C <sub>L</sub> = 1.0 nF Q = C <sub>L</sub> - ΔV <sub>OUT</sub>	3.0 5.0		6.0 9.0		pC
VISO	Off-Isolation	f = 10 MHz V <sub>NO_</sub> , V <sub>NC_</sub> = 1.0 Vp-p R <sub>L</sub> = 50 Ω, C <sub>L</sub> = 5.0 pF	1.65 to 5.5		-50		dB
		f = 1.0 MHz V <sub>NO_</sub> , V <sub>NC_</sub> = 1.0 Vp-p R <sub>L</sub> = 50 Ω, C <sub>L</sub> = 5.0 pF			-75		
VCT	Cross-Talk	f = 10 MHz V <sub>NO_</sub> , V <sub>NC_</sub> = 1.0 Vp-p R <sub>L</sub> = 50 Ω, C <sub>L</sub> = 5.0 pF	1.65 to 5.5		-80		dB
		f = 1.0 MHz V <sub>NO_</sub> , V <sub>NC_</sub> = 1.0 Vp-p R <sub>L</sub> = 50 Ω, C <sub>L</sub> = 5.0 pF			-110		
BW	On-Channel -3.0 db Bandwidth	Signal = 0 dB R <sub>L</sub> = 50 Ω, C <sub>L</sub> = 5.0 pF	1.8 to 5.0		90		MHz
THD	Total Harmonic Distortion	V <sub>COM</sub> = 2.0 Vp-p, R <sub>L</sub> = 600 Ω, T <sub>A</sub> = 25°C	-		0.02		%
C <sub>NO_[OFF]</sub> C <sub>NC_[OFF]</sub>	NO_, NC_ OFF-Capacitance	F = 1.0 MHz	-		15		pF
C <sub>NO_[ON]</sub> C <sub>NC_[ON]</sub>	NO_, NC_ ON-Capacitance	F = 1.0 MHz	-		38		pF

# NLAS4717EP

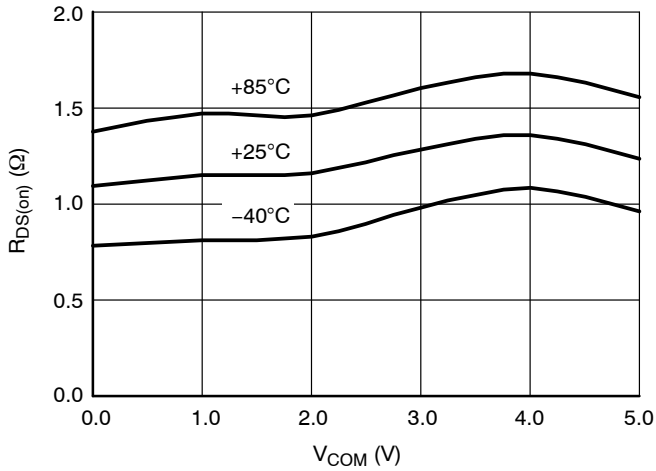


Figure 2. R<sub>DS(on)</sub> @ V<sub>CC</sub> = 5.0 V

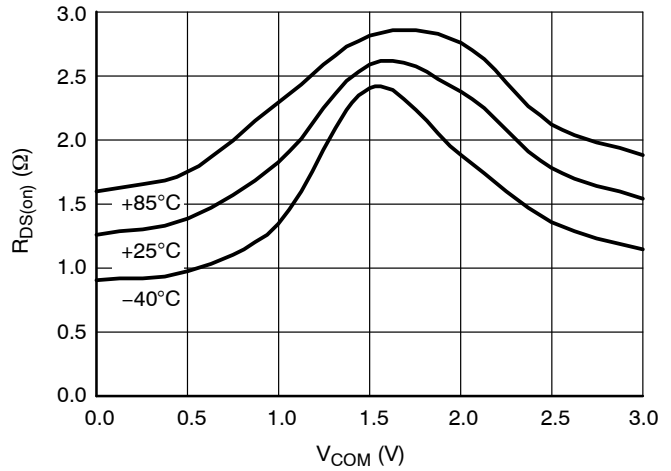


Figure 3. R<sub>DS(on)</sub> @ V<sub>CC</sub> = 3.0 V

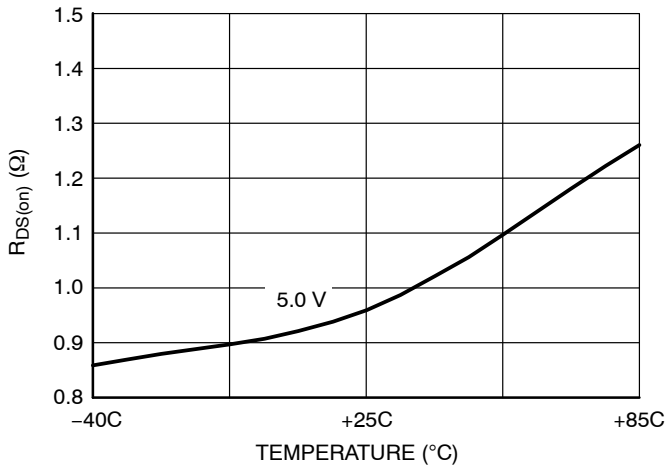


Figure 4. Delta R<sub>DS(on)</sub> @ V<sub>CC</sub> = 5.0 V

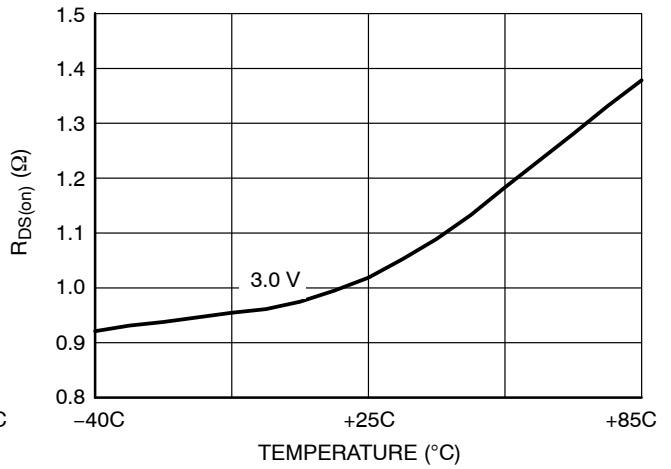


Figure 5. Delta R<sub>DS(on)</sub> @ V<sub>CC</sub> = 3.0 V

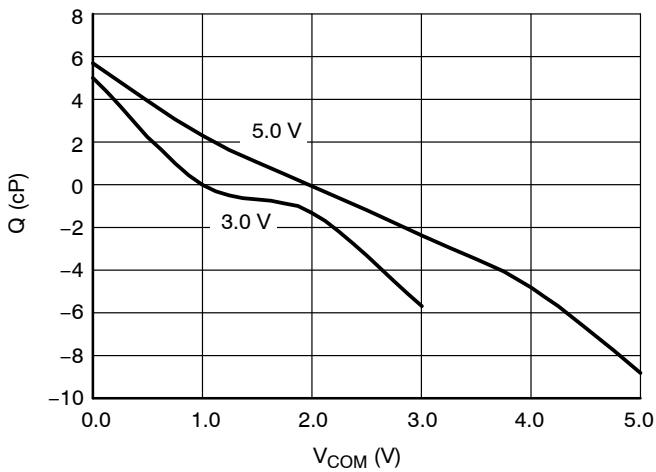


Figure 6. Charge Injection

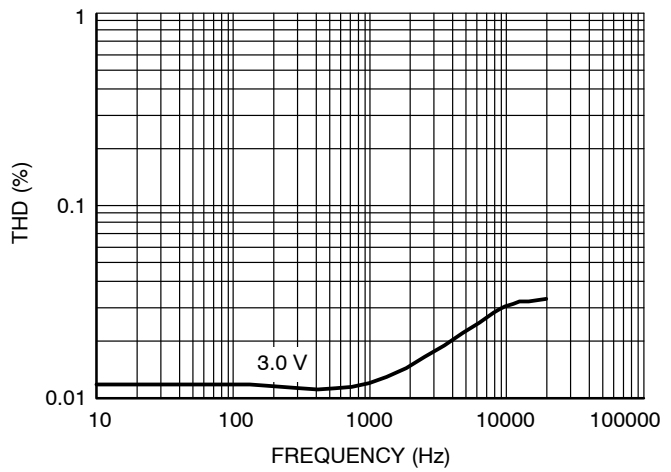


Figure 7. Total Harmonic Distortion

NLAS4717EP

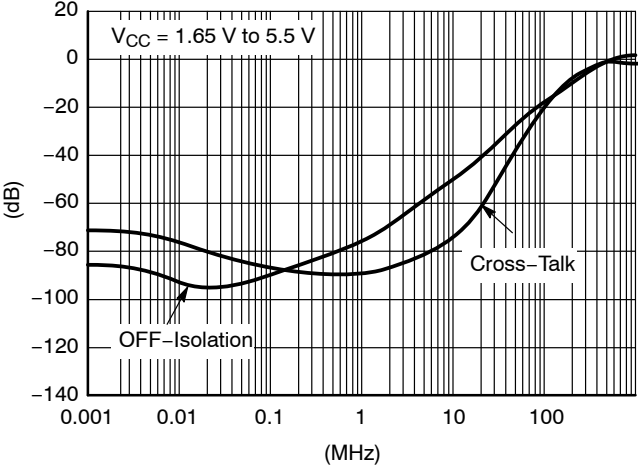


Figure 8. Frequency Response

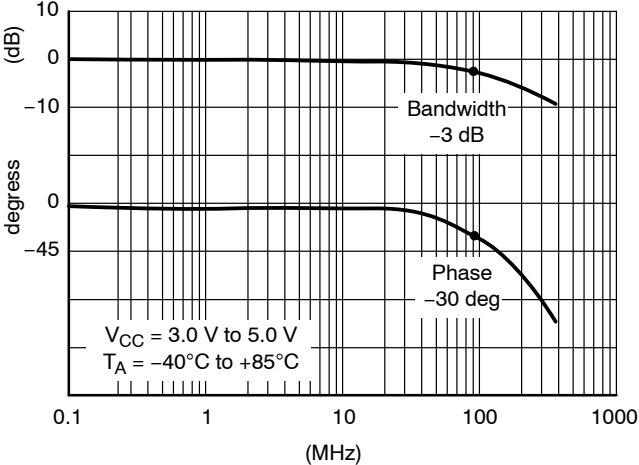


Figure 9. Bandwidth and Phase

# NLAS4717EP

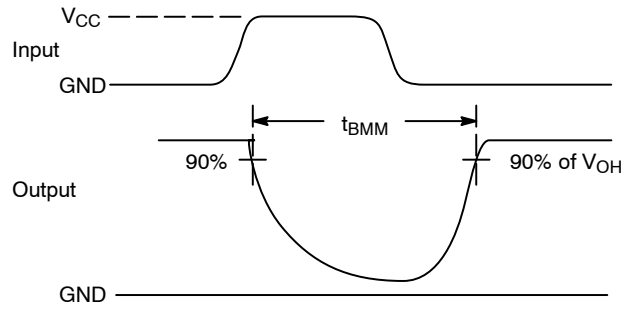
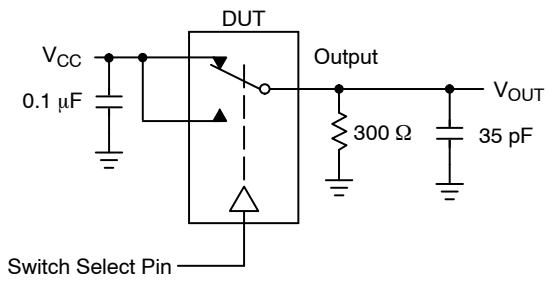


Figure 10.  $t_{BMM}$  (Time Break-Before-Make)

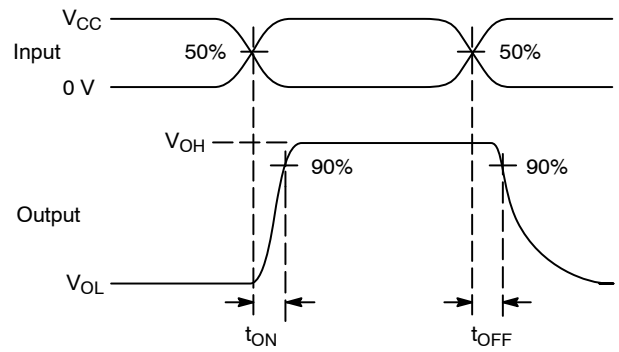
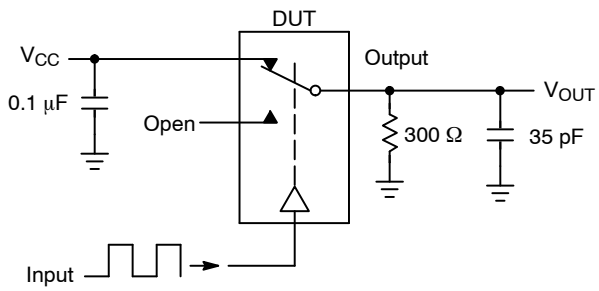


Figure 11.  $t_{ON}/t_{OFF}$

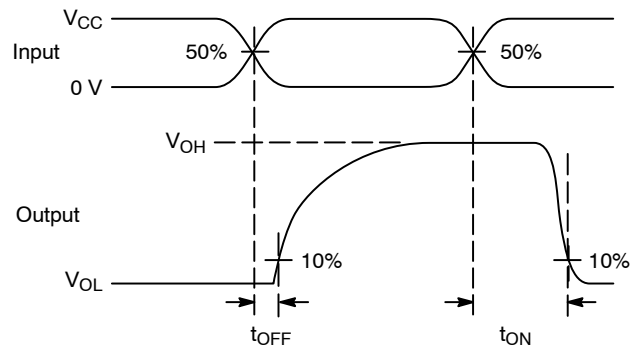
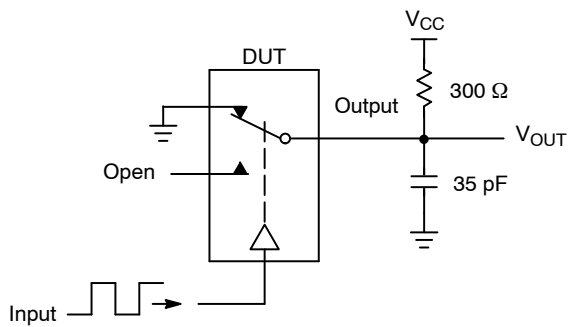
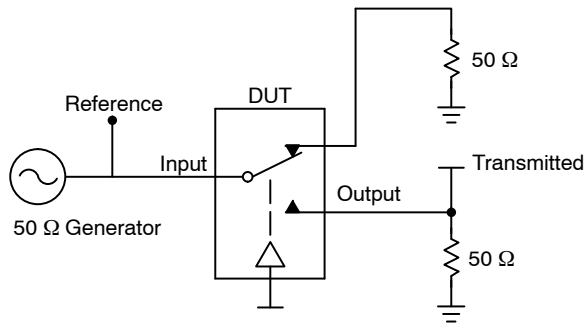


Figure 12.  $t_{ON}/t_{OFF}$

# NLAS4717EP



Channel switch control/s test socket is normalized. Off isolation is measured across an off channel. On loss is the bandwidth of an On switch.  $V_{ISO}$ , Bandwidth and  $V_{ONL}$  are independent of the input signal direction.

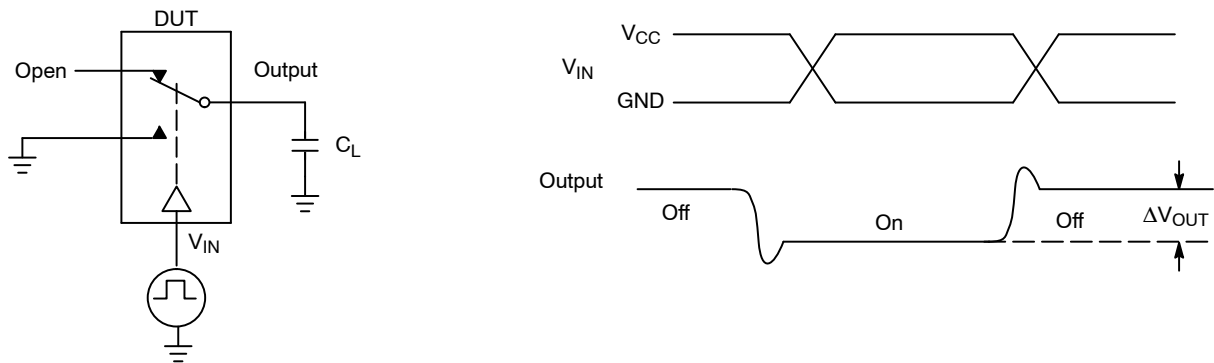
$$V_{ISO} = \text{Off Channel Isolation} = 20 \text{ Log} \left( \frac{V_{OUT}}{V_{IN}} \right) \text{ for } V_{IN} \text{ at } 100 \text{ kHz}$$

$$V_{ONL} = \text{On Channel Loss} = 20 \text{ Log} \left( \frac{V_{OUT}}{V_{IN}} \right) \text{ for } V_{IN} \text{ at } 100 \text{ kHz to } 50 \text{ MHz}$$

Bandwidth (BW) = the frequency 3.0 dB below  $V_{ONL}$

$V_{CT}$  = Use  $V_{ISO}$  setup and test to all other switch analog input/outputs terminated with 50  $\Omega$

**Figure 13. Off Channel Isolation/On Channel Loss (BW)/Crosstalk (On Channel to Off Channel)/ $V_{ONL}$**



**Figure 14. Charge Injection: (Q)**



# MECHANICAL CASE OUTLINE

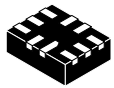
## PACKAGE DIMENSIONS

ON Semiconductor®

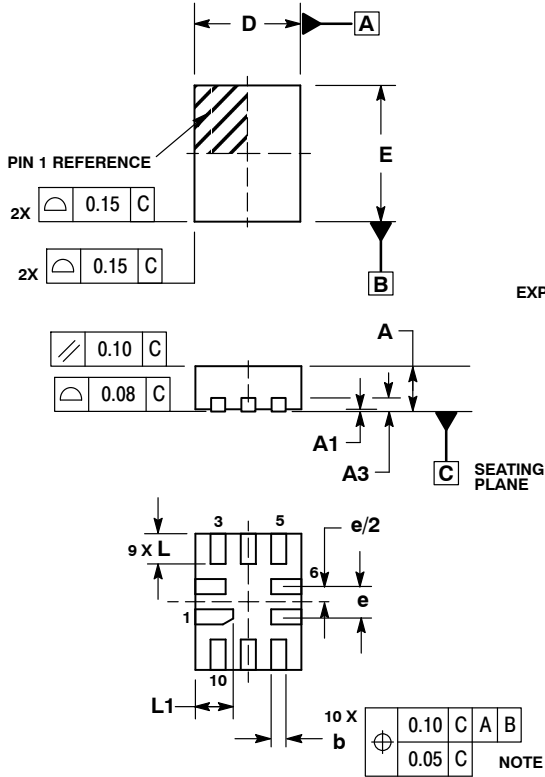


WQFN10, 1.4x1.8, 0.4P  
CASE 488AQ-01  
ISSUE C

DATE 19 JUN 2007



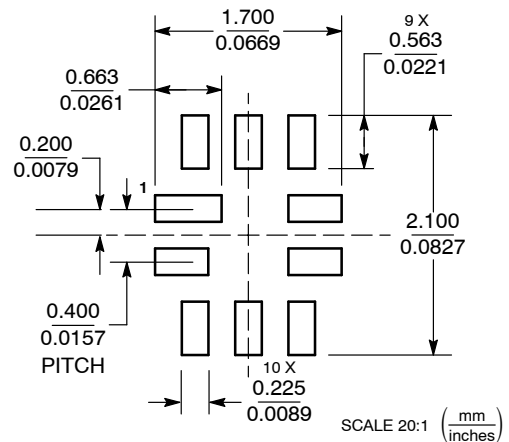
1  
SCALE 5:1



- NOTES:
1. DIMENSIONING AND TOLERANCING PER ASME Y14.5M, 1994.
  2. CONTROLLING DIMENSION: MILLIMETERS
  3. DIMENSION b APPLIES TO PLATED TERMINAL AND IS MEASURED BETWEEN 0.25 AND 0.30 MM FROM TERMINAL.
  4. COPLANARITY APPLIES TO THE EXPOSED PAD AS WELL AS THE TERMINALS.
  5. EXPOSED PADS CONNECTED TO DIE FLAG. USED AS TEST CONTACTS.

MILLIMETERS		
DIM	MIN	MAX
A	0.70	0.80
A1	0.00	0.050
A3	0.20	REF
b	0.15	0.25
D	1.40	BSC
E	1.80	BSC
e	0.40	BSC
L	0.30	0.50
L1	0.40	0.60
M1	0.00	0.05

### MOUNTING FOOTPRINT



<b>DOCUMENT NUMBER:</b>	<b>98AON20791D</b>	Electronic versions are uncontrolled except when accessed directly from the Document Repository. Printed versions are uncontrolled except when stamped "CONTROLLED COPY" in red.
<b>DESCRIPTION:</b>	<b>WQFN10, 1.4 X 1.8, 0.4P</b>	<b>PAGE 1 OF 1</b>

ON Semiconductor and are trademarks of Semiconductor Components Industries, LLC dba ON Semiconductor or its subsidiaries in the United States and/or other countries. ON Semiconductor reserves the right to make changes without further notice to any products herein. ON Semiconductor makes no warranty, representation or guarantee regarding the suitability of its products for any particular purpose, nor does ON Semiconductor assume any liability arising out of the application or use of any product or circuit, and specifically disclaims any and all liability, including without limitation special, consequential or incidental damages. ON Semiconductor does not convey any license under its patent rights nor the rights of others.

# MECHANICAL CASE OUTLINE

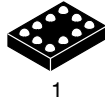
## PACKAGE DIMENSIONS

ON Semiconductor®



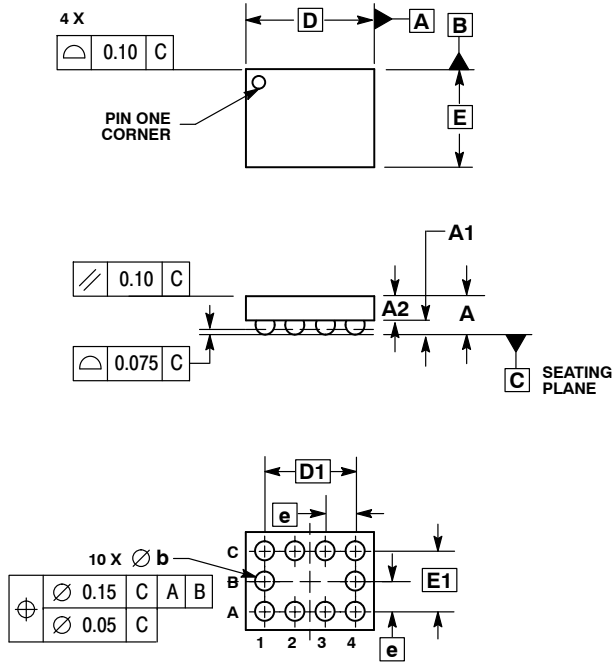
### 10 PIN FLIP-CHIP CASE 489AA-01 ISSUE A

DATE 04 MAY 2004



1

SCALE 4:1

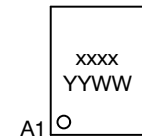


NOTES:

1. DIMENSIONING AND TOLERANCING PER ASME Y14.5M, 1994.
2. CONTROLLING DIMENSION: MILLIMETERS.
3. COPLANARITY APPLIES TO SPHERICAL CROWNS OF SOLDER BALLS.

DIM	MILLIMETERS	
	MIN	MAX
A	---	0.650
A1	0.210	0.270
A2	0.280	0.380
D	1.965 BSC	
E	1.465 BSC	
b	0.250	0.350
e	0.500 BSC	
D1	1.500 BSC	
E1	1.000 BSC	

### GENERIC MARKING DIAGRAM\*



- xxxx = Specific Device Code
- YY = Year
- WW = Work Week

\*This information is generic. Please refer to device data sheet for actual part marking. Pb-Free indicator, "G" or microdot "▪", may or may not be present.

<b>DOCUMENT NUMBER:</b>	<b>98AON12946D</b>	Electronic versions are uncontrolled except when accessed directly from the Document Repository. Printed versions are uncontrolled except when stamped "CONTROLLED COPY" in red.
<b>DESCRIPTION:</b>	<b>10 PIN FLIP-CHIP</b>	<b>PAGE 1 OF 1</b>

ON Semiconductor and are trademarks of Semiconductor Components Industries, LLC dba ON Semiconductor or its subsidiaries in the United States and/or other countries. ON Semiconductor reserves the right to make changes without further notice to any products herein. ON Semiconductor makes no warranty, representation or guarantee regarding the suitability of its products for any particular purpose, nor does ON Semiconductor assume any liability arising out of the application or use of any product or circuit, and specifically disclaims any and all liability, including without limitation special, consequential or incidental damages. ON Semiconductor does not convey any license under its patent rights nor the rights of others.

**onsemi**, **Onsemi**, and other names, marks, and brands are registered and/or common law trademarks of Semiconductor Components Industries, LLC dba "**onsemi**" or its affiliates and/or subsidiaries in the United States and/or other countries. **onsemi** owns the rights to a number of patents, trademarks, copyrights, trade secrets, and other intellectual property. A listing of **onsemi**'s product/patent coverage may be accessed at [www.onsemi.com/site/pdf/Patent-Marking.pdf](http://www.onsemi.com/site/pdf/Patent-Marking.pdf). **onsemi** reserves the right to make changes at any time to any products or information herein, without notice. The information herein is provided "as-is" and **onsemi** makes no warranty, representation or guarantee regarding the accuracy of the information, product features, availability, functionality, or suitability of its products for any particular purpose, nor does **onsemi** assume any liability arising out of the application or use of any product or circuit, and specifically disclaims any and all liability, including without limitation special, consequential or incidental damages. Buyer is responsible for its products and applications using **onsemi** products, including compliance with all laws, regulations and safety requirements or standards, regardless of any support or applications information provided by **onsemi**. "Typical" parameters which may be provided in **onsemi** data sheets and/or specifications can and do vary in different applications and actual performance may vary over time. All operating parameters, including "Typicals" must be validated for each customer application by customer's technical experts. **onsemi** does not convey any license under any of its intellectual property rights nor the rights of others. **onsemi** products are not designed, intended, or authorized for use as a critical component in life support systems or any FDA Class 3 medical devices or medical devices with a same or similar classification in a foreign jurisdiction or any devices intended for implantation in the human body. Should Buyer purchase or use **onsemi** products for any such unintended or unauthorized application, Buyer shall indemnify and hold **onsemi** and its officers, employees, subsidiaries, affiliates, and distributors harmless against all claims, costs, damages, and expenses, and reasonable attorney fees arising out of, directly or indirectly, any claim of personal injury or death associated with such unintended or unauthorized use, even if such claim alleges that **onsemi** was negligent regarding the design or manufacture of the part. **onsemi** is an Equal Opportunity/Affirmative Action Employer. This literature is subject to all applicable copyright laws and is not for resale in any manner.

## ADDITIONAL INFORMATION

### TECHNICAL PUBLICATIONS:

Technical Library: [www.onsemi.com/design/resources/technical-documentation](http://www.onsemi.com/design/resources/technical-documentation)  
onsemi Website: [www.onsemi.com](http://www.onsemi.com)

### ONLINE SUPPORT: [www.onsemi.com/support](http://www.onsemi.com/support)

For additional information, please contact your local Sales Representative at [www.onsemi.com/support/sales](http://www.onsemi.com/support/sales)