

# Motion SPM<sup>®</sup> 45 Series

## NFA41560R42

### General Description

NFA41560R42 is a Motion SPM 45 module providing a fully-featured, high-performance inverter output stage for AC Induction, BLDC, and PMSM motors. These modules integrate optimized gate drive of the built-in RC-IGBTs to minimize EMI and losses, while also providing multiple on-module protection features including under-voltage lockouts, over-current shutdown, thermal monitoring of drive IC, and fault reporting. The built-in, high-speed HVIC requires only a single supply voltage and translates the incoming logic-level gate inputs to the high-voltage, high-current drive signals required to properly drive the module's internal IGBTs. Separate negative IGBT terminals are available for each phase to support the widest variety of control algorithms.

### Features

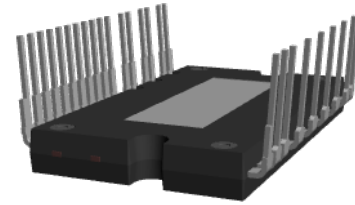
- UL Certified No. E209204 (UL1557)
- 600 V – 15 A 3-Phase RC-IGBT Inverter with Integral Gate Drivers and Protection
- Low Thermal Resistance Using Ceramic Substrate
- Low-Loss, Short-Circuit Rated FS4 RC-IGBTs
- Built-In Bootstrap Diodes and Dedicated Vs Pins Simplify PCB Layout
- Built-In NTC Thermistor for Temperature Monitoring
- Separate Open-Emitter Pins from Low-Side RC-IGBTs for Three-Phase Current Sensing
- Single-Grounded Power Supply
- Isolation Rating: 2000 V<sub>rms</sub> / Min.
- Remove Dummy Pin
- This is a Pb-Free Device

### Applications

- Motion Control – Home Appliance / Industrial Motor

### Related Resources

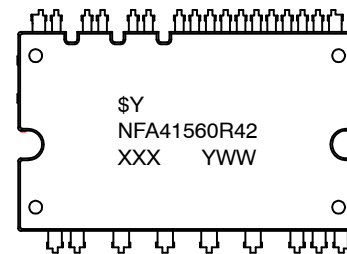
- [AN-9084](#) – Smart Power Module, Motion SPM<sup>®</sup> 45 H V3 Series User's Guide
- [AN-9072](#) – Smart Power Module Motion SPM<sup>®</sup> in SPM45H Thermal Performance Information
- [AN-9071](#) – Smart Power Module Motion SPM<sup>®</sup> in SPM45H Mounting Guidance
- [AN-9760](#) – PCB Design Guidance for SPM<sup>®</sup>



3D Package Drawing (Click to Activate 3D Content)

**SPMAA-C26 / 26LD, PDD STD CERAMIC TYPE,  
 LONG LEAD DUAL FORM TYPE  
 CASE MODFC**

### MARKING DIAGRAM



\$Y = onsemi Logo  
 NFA41560R42 = Specific Device Code  
 XXX = Trace Code  
 Y = Year  
 WW = Work Week

### ORDERING INFORMATION

See detailed ordering and shipping information on page 14 of this data sheet.

# NFA41560R42

## Integrated Power Functions

- 600 V – 15 A IGBT inverter for three-phase DC / AC power conversion (please refer to Figure 2)

## Integrated Drive, Protection, and System Control Functions

- For inverter high-side IGBTs: gate drive circuit, high-voltage isolated high-speed level shifting control circuit Under-Voltage Lock-Out Protection (UVLO) NOTE: Available bootstrap circuit example is given in Figure 13.

- For inverter low-side IGBTs: gate drive circuit, Short-Circuit Protection (SCP) control supply circuit Under-Voltage Lock-Out Protection (UVLO)
- Fault signaling: corresponding to UVLO (low-side supply) and SC faults
- Input interface: active-HIGH interface, works with 3.3 / 5 V logic, Schmitt-trigger input

## PIN CONFIGURATION

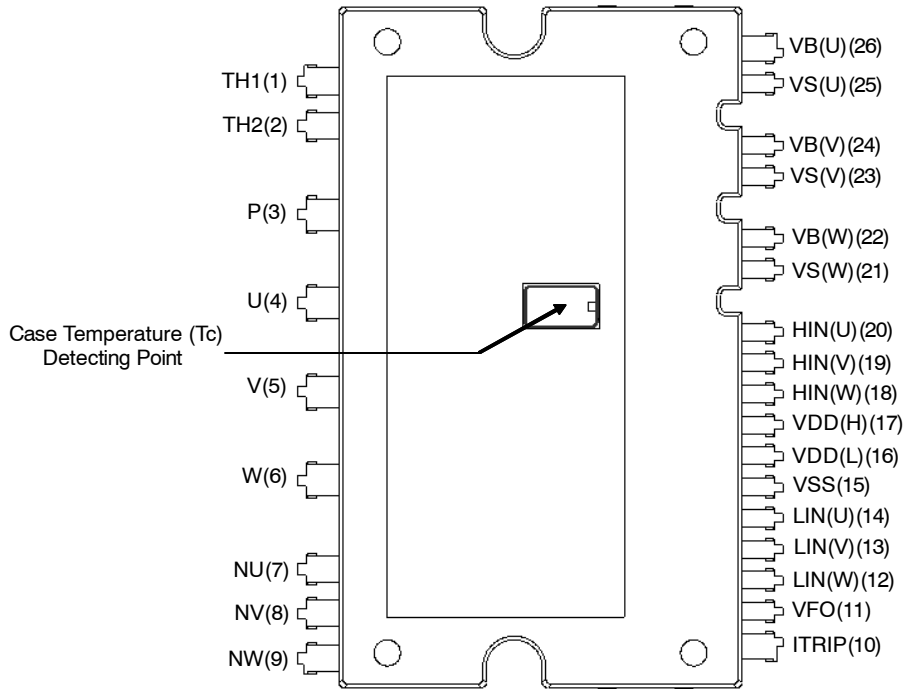


Figure 1. Top View

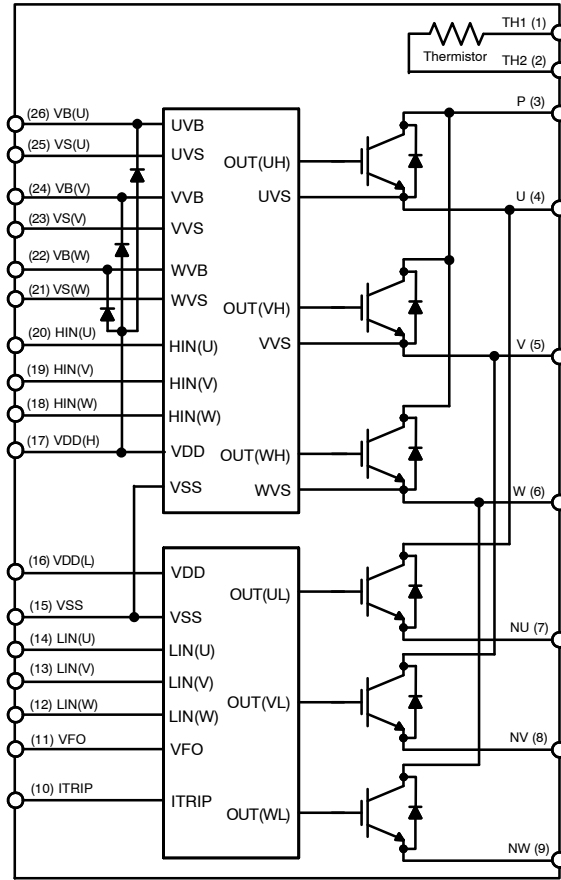
# NFA41560R42

## PIN DESCRIPTION

Pin No.	Pin Name	Description
1	TH1	Thermistor Bias Voltage
2	TH2	Series Resistor for the Use of Thermistor (Temperature Detection)
3	P	Positive DC-Link Input
4	U	Output for U-Phase
5	V	Output for V-Phase
6	W	Output for W-Phase
7	NU	Negative DC-Link Input for U-Phase
8	NV	Negative DC-Link Input for V-Phase
9	NW	Negative DC-Link Input for W-Phase
10	ITRIP	Input for Current Protection
11	VFO	Fault Output
12	LIN(W)	Signal Input for Low-Side W-Phase
13	LIN(V)	Signal Input for Low-Side V-Phase
14	LIN(U)	Signal Input for Low-Side U-Phase
15	VSS	Common Supply Ground
16	VDD(L)	Low-Side Common Bias Voltage for IC and IGBTs Driving
17	VDD(H)	High-Side Common Bias Voltage for IC and IGBTs Driving
18	HIN(W)	Signal Input for High-Side W-Phase
19	HIN(V)	Signal Input for High-Side V-Phase
20	HIN(U)	Signal Input for High-Side U-Phase
21	VS(W)	High-Side Bias Voltage Ground for W-Phase IGBT Driving
22	VB(W)	High-Side Bias Voltage for W-Phase IGBT Driving
23	VS(V)	High-Side Bias Voltage Ground for V-Phase IGBT Driving
24	VB(V)	High-Side Bias Voltage for V-Phase IGBT Driving
25	VS(U)	High-Side Bias Voltage Ground for U-Phase IGBT Driving
26	VB(U)	High-Side Bias Voltage for U-Phase IGBT Driving

# NFA41560R42

## Internal Equivalent Circuit and Input/Output Pins



**NOTE:**

1. Inverter high-side is composed of three RC-IGBTs and one control IC for each IGBT.
2. Inverter low-side is composed of three RC-IGBTs and one control IC for each IGBT. It has gate drive and protection functions.
3. Inverter power side is composed of four inverter DC-link input terminals and three inverter output terminals.

**Figure 2. Internal Block Diagram**

# NFA41560R42

## ABSOLUTE MAXIMUM RATINGS (T<sub>j</sub> = 25°C, unless otherwise noted)

Symbol	Parameter	Conditions	Rating	Unit
<b>INVERTER PART</b>				
VPN	Supply Voltage	P – NU, NV, NW	450	V
VPN(surge)	Supply Voltage (Surge)	P – NU, NV, NW	500	V
V <sub>ces</sub>	Collector – Emitter Voltage		600	V
±I <sub>c</sub>	Each IGBT Collector Current	T <sub>c</sub> = 25°C	15	A
±I <sub>cp</sub>	Each IGBT Collector Current (Peak)	T <sub>c</sub> = 25°C, Under 1 ms Pulse Width	30	A
P <sub>c</sub>	Collector Dissipation	T <sub>c</sub> = 25°C Per One Chip (Note 4)	45	W
T <sub>j</sub>	Operating Junction Temperature		– 40~150	°C

## CONTROL PART

VDD	Control Supply Voltage	VDD(H), VDD(L) – VSS	20	V
VBS	High–Side Control Bias Voltage	VB(U) – VS(U), VB(V) – VS(V), VB(W) – VS(W)	20	V
VIN	Input Signal Voltage	HIN(U), HIN(V), HIN(W), LIN(U), LIN(V), LIN(W) – VSS	–0.3~VDD + 0.3	V
VFO	Fault Output Supply Voltage	VFO – VSS	–0.3~VDD + 0.3	V
IFO	Fault Output Current	Sink Current at VFO pin	1	mA
VITRIP	Current–Sensing Input Voltage	ITRIP – VSS	–0.3~VDD + 0.3	V

## BOOTSTRAP DIODE PART

VRRM	Maximum Repetitive Reverse Voltage		600	V
I <sub>f</sub>	Forward Current	T <sub>c</sub> = 25°C	0.5	A
I <sub>fp</sub>	Forward Current (Peak)	T <sub>c</sub> = 25°C, Under 1 ms Pulse Width (Note 4)	2.0	A
T <sub>j</sub>	Operating Junction Temperature		–40~150	°C

## TOTAL SYSTEM

VPN(PROT)	Self–Protection Supply Voltage Limit (Short–Circuit Protection Capability)	VDD = VBS = 13.5~16.5 V T <sub>j</sub> = 150°C, V <sub>ces</sub> < 600 V Non–Repetitive, < 2 μs	400	V
T <sub>c</sub>	Module Case Operation Temperature	See Figure 1	–40~125	°C
T <sub>stg</sub>	Storage Temperature		–40~125	°C
V <sub>iso</sub>	Isolation Voltage	60 Hz, Sinusoidal, AC 1 minute, Connection Pins to Heat Sink Plate	2000	V <sub>rms</sub>

Stresses exceeding those listed in the Maximum Ratings table may damage the device. If any of these limits are exceeded, device functionality should not be assumed, damage may occur and reliability may be affected.

4. These values had been made an acquisition by the calculation considered to design factor.

## ABSOLUTE MAXIMUM RATINGS (T<sub>j</sub> = 25°C, unless otherwise noted)

Symbol	Parameter	Conditions	Min	Typ	Max	Unit
<b>THERMAL RESISTANCE</b>						
R <sub>th(j–c)Q</sub>	Junction to Case Thermal Resistance (Note 5)	Inverter IGBT Part (per 1/6 module)	–	–	2.75	°C/W
R <sub>th(j–c)F</sub>		Inverter FWDi Part (per 1/6 module)	–	–	4.2	°C/W

5. For the measurement point of case temperature T<sub>c</sub>, please refer to Figure 1.

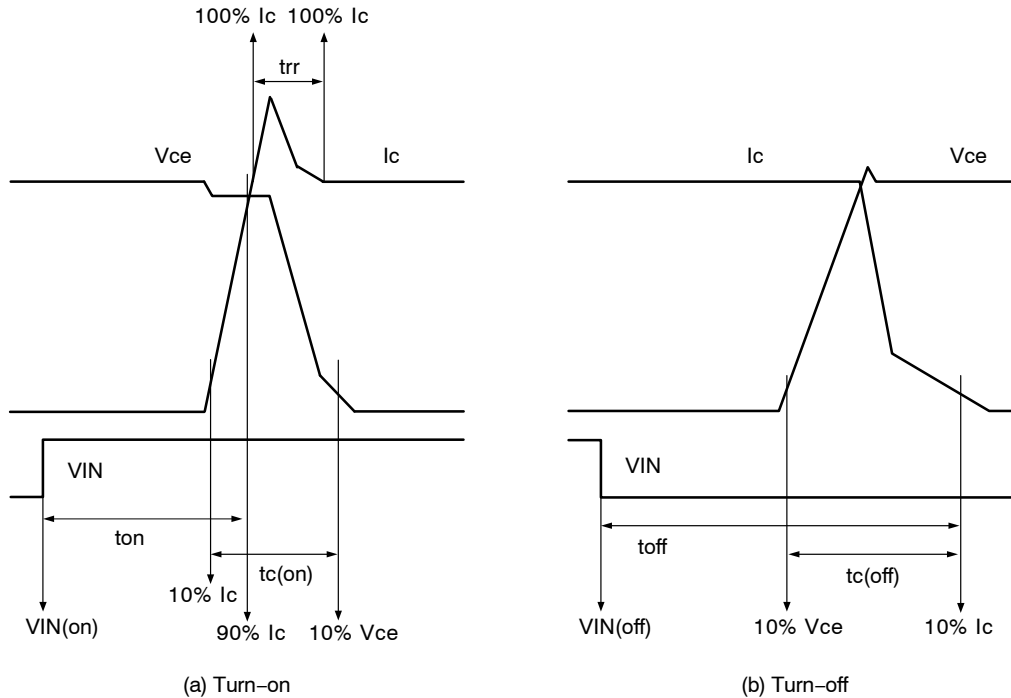
# NFA41560R42

## ELECTRICAL CHARACTERISTICS (T<sub>j</sub> = 25°C, unless otherwise noted)

Symbol	Parameter	Conditions	Min	Typ	Max	Unit
<b>INVERTER PART</b>						
VCE(sat)	Collector-Emitter Saturation Voltage	VDD = VBS = 15 V, I <sub>N</sub> = 5 V, I <sub>c</sub> = 15 A, T <sub>j</sub> = 25°C	-	1.5	2.1	V
VF	FWDi Forward Voltage	I <sub>N</sub> = 0 V, I <sub>c</sub> = -15 A, T <sub>j</sub> = 25°C	-	1.75	2.35	V
HS	ton	Switching Times V <sub>PN</sub> = 300 V, VDD(H) = VDD(L) = 15 V, I <sub>c</sub> = 15 A, T <sub>j</sub> = 25°C, I <sub>N</sub> = 0 ↔ 5 V, Inductive Load (Note 6)	-	0.75	-	μs
	tc(on)		-	0.12	-	μs
	toff		-	0.85	-	μs
	tc(off)		-	0.14	-	μs
	trr		-	0.13	-	μs
LS	ton	V <sub>PN</sub> = 300 V, VDD(H) = VDD(L) = 15 V, I <sub>c</sub> = 15 A, T <sub>j</sub> = 25°C, I <sub>N</sub> = 0 ↔ 5 V, Inductive Load (Note 6)	-	0.80	-	μs
	tc(on)		-	0.15	-	μs
	toff		-	0.90	-	μs
	tc(off)		-	0.14	-	μs
	trr		-	0.18	-	μs
Ices	Collector-Emitter Leakage Current	V <sub>ce</sub> = V <sub>ces</sub>	-	-	1	mA

Product parametric performance is indicated in the Electrical Characteristics for the listed test conditions, unless otherwise noted. Product performance may not be indicated by the Electrical Characteristics if operated under different conditions.

6. ton and toff include the propagation delay time of the internal drive IC. tc(on) and tc(off) are the switching time of IGBT itself under the given gate driving condition internally. For the detailed information, please see Figure 3.



**Figure 3. Switching Time Definitions**

# NFA41560R42

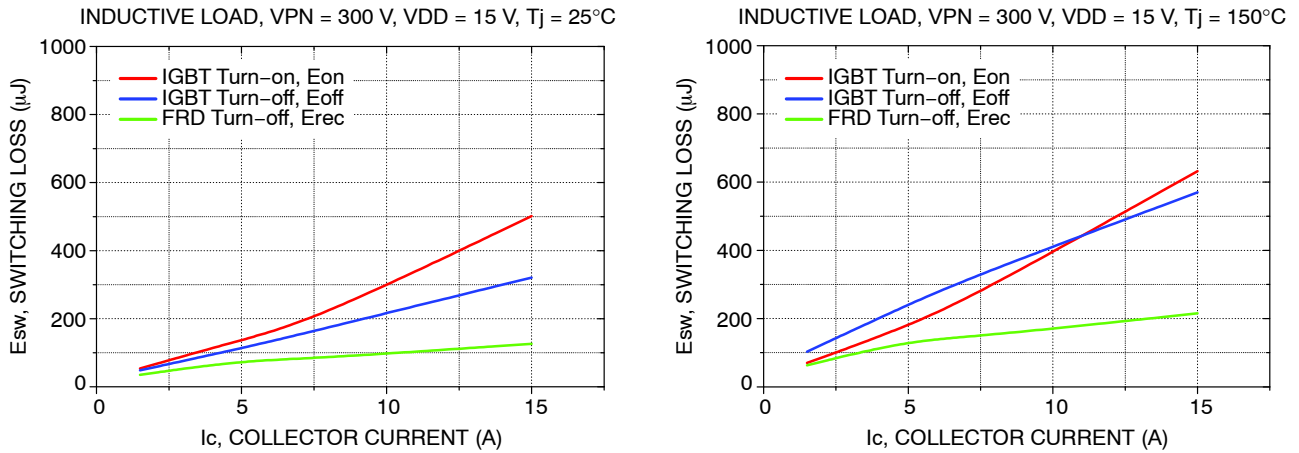


Figure 4. Switching Loss Characteristics (Typical)

## ELECTRICAL CHARACTERISTICS (Tj = 25°C, unless otherwise noted)

Symbol	Parameter	Conditions	Min	Typ	Max	Unit
<b>CONTROL PART</b>						
IQDDH	Quiescent VDD Supply Current	VDD(H) = 15 V, HIN = 0 V, VDD(H) – VSS	–	–	0.10	mA
IQDDL		VDD(L) = 15 V, LIN = 0 V, VDD(L) – VSS	–	–	2.65	mA
IPDDH	Operating VDD Supply Current	VDD(H) = 15 V, fPWM = 20 kHz, Duty = 50%, Applied to One PWM Signal Input for High-Side	–	–	0.15	mA
IPDDL		VDD(L) = 15 V, fPWM = 20 kHz, Duty = 50%, Applied to One PWM Signal Input for Low-Side	–	–	4.00	mA
IQBS	Quiescent VBS Supply Current	VDD(H) = 15 V, HIN = 0 V, VB(U) – VS(U), VB(V) – VS(V), VB(W) – VS(W)	–	–	0.30	mA
IPBS	Operating VBS Supply Current	VDD(H) = 15 V, fPWM = 20 kHz, Duty = 50%, Applied to One PWM Signal Input for High-Side	–	–	2.00	mA
VFOH	Fault Output Voltage	VDD = 0 V, ITRIP = 0 V, VFO Circuit: 10 kΩ to 5 V Pull-up	4.5	–	–	V
VFOL		VDD = 0 V, ITRIP = 1 V, VFO Circuit: 10 kΩ to 5 V Pull-up	–	–	0.5	V
VSC(ref)	Short Circuit Trip Level	VDD = 15 V, ITRIP – VSS	0.45	0.50	0.55	V
UVDDD	Supply Circuit Under-Voltage Protection	Detection Level	10.5	–	13.0	V
UVDDR		Reset Level	11.0	–	13.5	V
UVBSD	Supply Circuit Under-Voltage Protection	Detection Level	10.0	–	12.5	V
UVBSR		Reset Level	10.5	–	13.0	V
tFOD	Fault-Output Pulse Width		30	–	–	µs
VIN(ON)	ON Threshold Voltage	HIN – VSS, LIN – VSS	–	–	2.6	V
VIN(OFF)	OFF Threshold Voltage		0.8	–	–	V
RTH	Resistance of Thermistor	@ TTH = 25°C	–	47	–	kΩ
		@ TTH = 100°C	–	2.9	–	kΩ

Product parametric performance is indicated in the Electrical Characteristics for the listed test conditions, unless otherwise noted. Product performance may not be indicated by the Electrical Characteristics if operated under different conditions.

7. Short-circuit current protection is functioning only at the low-sides.

8. TTH is the temperature of thermistor itself. To know case temperature (Tc), please make the experiment considering your application.

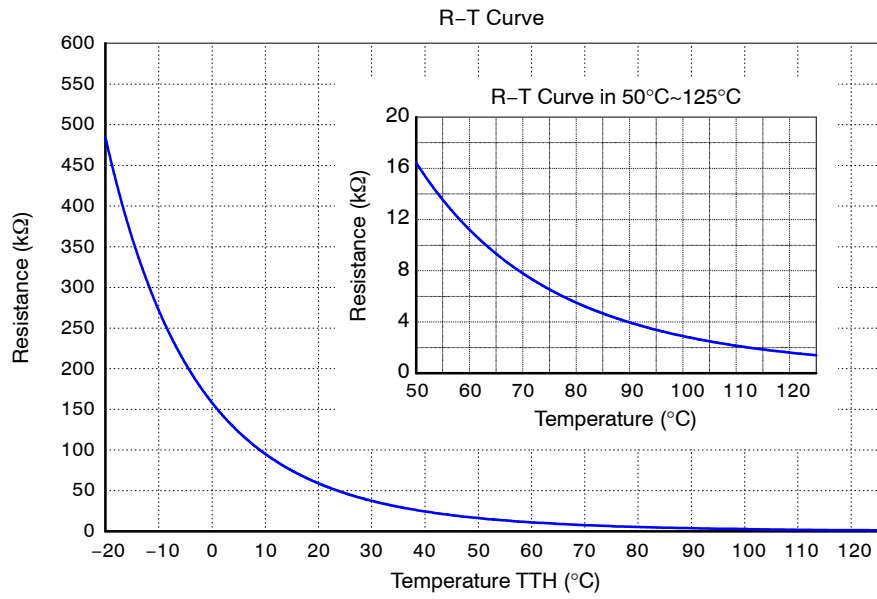
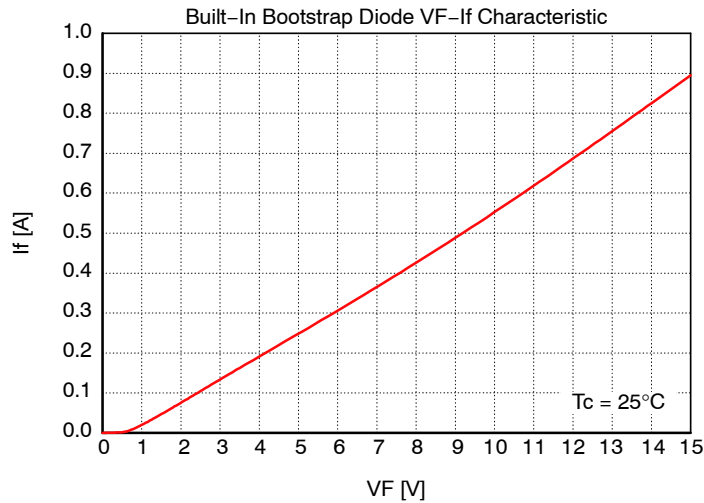


Figure 5. R-T Curve of The Built-In Thermistor

**ELECTRICAL CHARACTERISTICS** (T<sub>j</sub> = 25°C, unless otherwise noted)

Symbol	Parameter	Conditions	Min	Typ	Max	Unit
<b>BOOTSTRAP DIODE PART</b>						
VF	Forward Voltage	I <sub>f</sub> = 0.1 A, T <sub>c</sub> = 25°C	-	2.5	-	V
trr	Reverse-Recovery Time	I <sub>f</sub> = 0.1 A, dI <sub>f</sub> /dt = 50 A/μs, T <sub>c</sub> = 25°C	-	80	-	ns

Product parametric performance is indicated in the Electrical Characteristics for the listed test conditions, unless otherwise noted. Product performance may not be indicated by the Electrical Characteristics if operated under different conditions.



NOTE:

- 9. Built-in bootstrap diode includes around 15 Ω resistance characteristic.

Figure 6. Built-In Bootstrap Diode Characteristics (Typ.)



**RECOMMENDED OPERATING CONDITIONS**

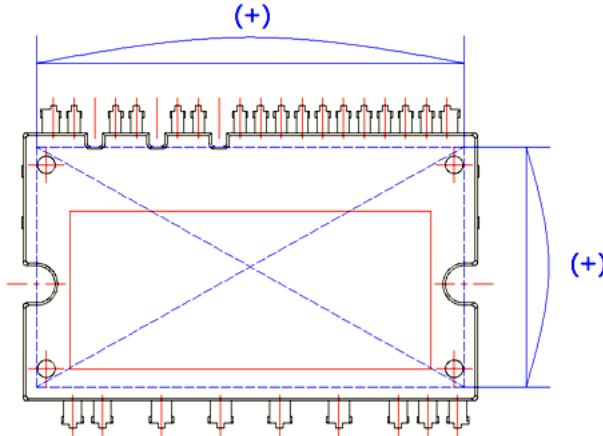
Symbol	Parameter	Conditions	Min	Typ	Max	Unit
VPN	Supply Voltage	P – NU, NV, NW	–	300	400	V
VDD	Control Supply Voltage	VDD(H), VDD(L) – VSS	13.5	15.0	16.5	V
VBS	High–Side Bias Voltage	VB(U) – VS(U), VB(V) – VS(V), VB(W) – VS(W)	13.0	15.0	18.5	V
dVDD/dt, dVBS/dt	Control Supply Variation		–1	–	1	V/ $\mu$ s
tdead	Blanking Time for Preventing Arm–Short	For each input signal	1	–	–	$\mu$ s
fPWM	PWM Input Signal	–40°C $\leq$ Tc $\leq$ 125°C, –40°C $\leq$ Tj $\leq$ 150°C	–	–	20	kHz
VSEN	Voltage for Current Sensing	Applied between NU, NV, NW – VSS (Including Surge–Voltage)	–4	–	4	V
PWIN(ON)	Minimum Input Pulse Width	VDD = VBS = 15 V, Ic $\leq$ 30 A, Wiring Inductance between NU, NV, NW and DC Link N < 10 nH (Note 10)	1.2	–	–	$\mu$ s
PWIN(OFF)			1.2	–	–	
Tj	Junction Temperature		–40	–	150	°C

Functional operation above the stresses listed in the Recommended Operating Ranges is not implied. Extended exposure to stresses beyond the Recommended Operating Ranges limits may affect device reliability.

10. This product might not make response if input pulse width is less than the recommended value.

**MECHANICAL CHARACTERISTICS AND RATINGS**

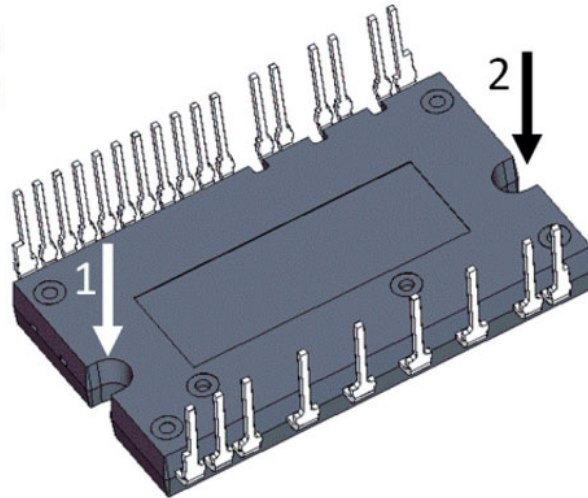
Parameter	Conditions	Min	Typ	Max	Unit	
Device Flatness	See Figure 7	0	-	+120	μm	
Mounting Torque	Mounting Screw: M3 See Figure 8	Recommended 0.7 N · m	0.6	0.7	0.8	N · m
		Recommended 7.1 kg · cm	6.2	7.1	8.1	kg · cm
Weight		-	11.00	-	g	



**Figure 7. Flatness Measurement Position**

**Pre - Screwing : 1→2**

**Final Screwing : 2→1**

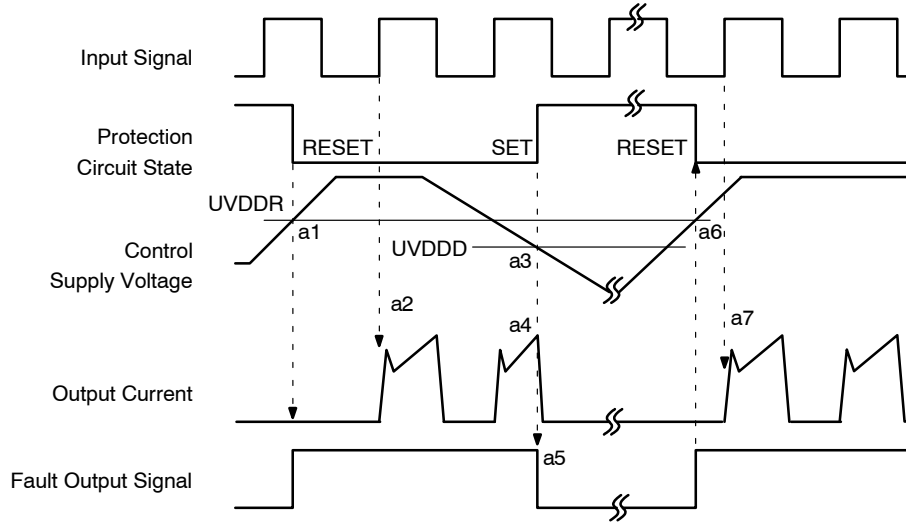


**NOTE:**

- 11. Do not make over torque when mounting screws. Much mounting torque may cause ceramic cracks, as well as bolts and Al heat-sink destruction.
- 12. Avoid one-sided tightening stress. Figure 8 shows the recommended torque order for mounting screws. Uneven mounting can cause the ceramic substrate of package to be damaged. The pre-screwing torque is set to 20~30% of maximum torque rating.

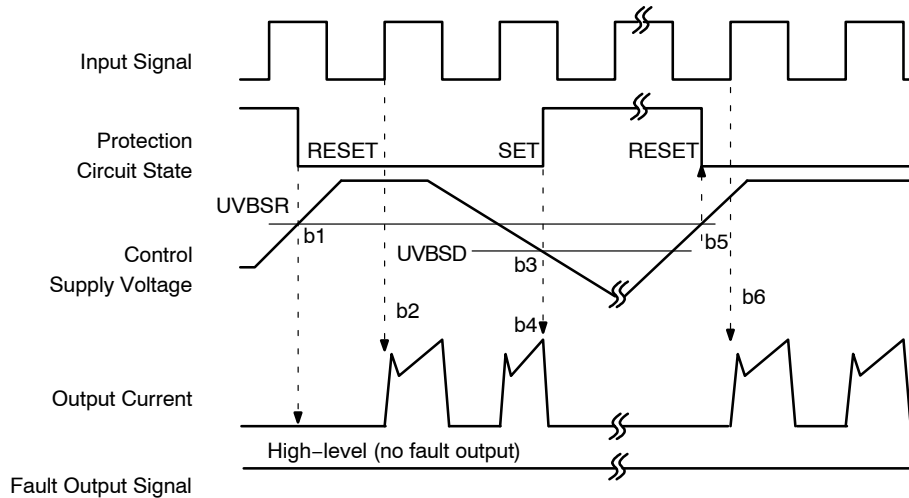
**Figure 8. Mounting Screws Torque Order**

Time Charts of Protective Function



- a1: Control supply voltage rises: After the voltage rises UVDDR, the circuits start to operate when next input is applied.
- a2: Normal operation: IGBT ON and carrying current.
- a3: Under voltage detection (UVDDD).
- a4: IGBT OFF in spite of control input condition.
- a5: Fault output operation starts with a fixed pulse width.
- a6: Under voltage reset (UVDDR).
- a7: Normal operation: IGBT ON and carrying current by triggering next signal from LOW to HIGH.

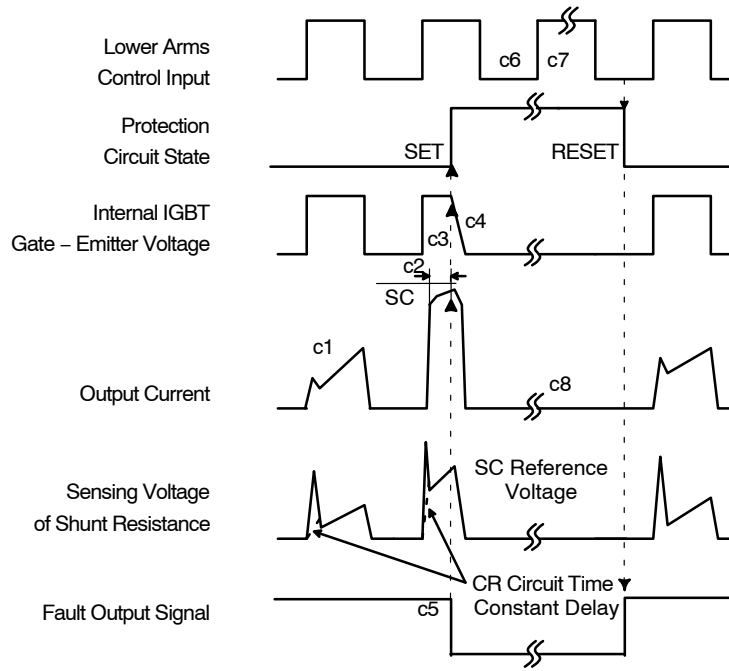
Figure 9. Under-Voltage Protection (Low-Side)



- b1: Control supply voltage rises: After the voltage reaches UVBSR, the circuits start to operate when next input is applied.
- b2: Normal operation: IGBT ON and carrying current.
- b3: Under voltage detection (UVBSD).
- b4: IGBT OFF in spite of control input condition, but there is no fault output signal.
- b5: Under voltage reset (UVBSR).
- b6: Normal operation: IGBT ON and carrying current by triggering next signal from LOW to HIGH.

Figure 10. Under-Voltage Protection (High-side)

# NFA41560R42



(with the external sense resistance and RC filter connection)

c1: Normal operation: IGBT ON and carrying current.

c2: Short circuit current detection (SC trigger).

c3: All low-side IGBT's gate are hard interrupted.

c4: All low-side IGBT's turn OFF.

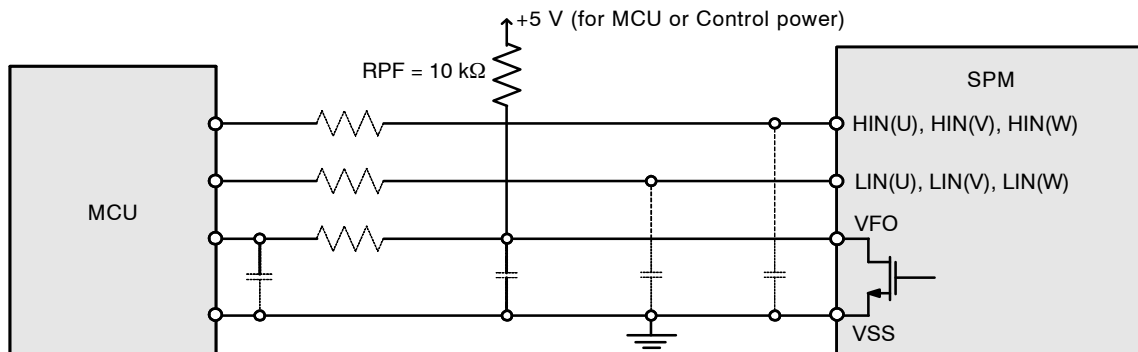
c5: Fault output operation starts with a fixed pulse width.

c6: Input HIGH: IGBT ON state, but during the active period of fault output the IGBT doesn't turn ON.

c7: Fault output operation finishes, but IGBT doesn't turn on until triggering next signal from LOW to HIGH.

c8: Normal operation: IGBT ON and carrying current.

**Figure 11. Short-Circuit Protection (Low-Side Operation Only)**

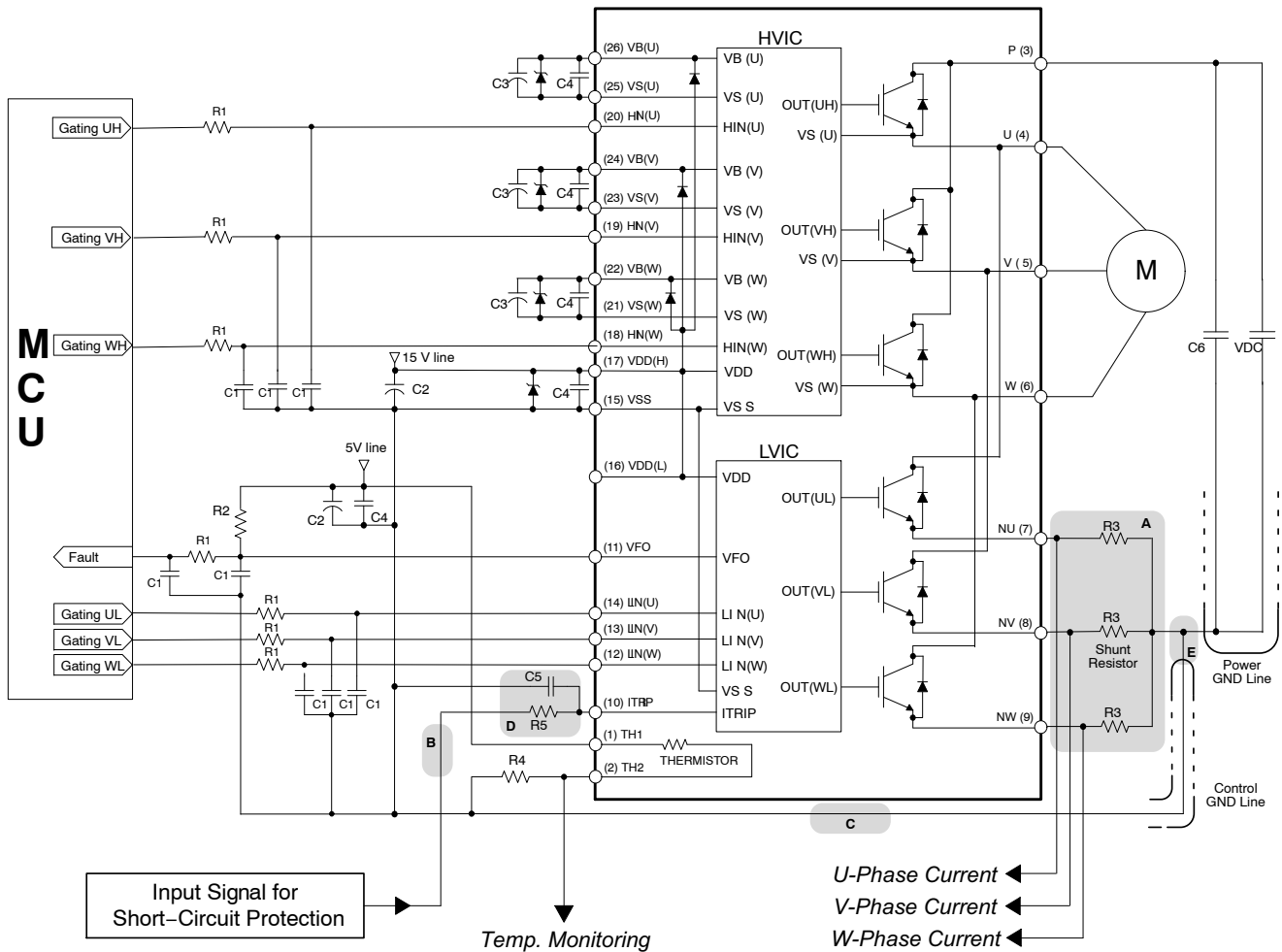


NOTE:

13. RC coupling at each input might change depending on the PWM control scheme used in the application and the wiring impedance of the application's printed circuit board. The input signal section of the Motion SPM 45 product integrates 5 kΩ (typ.) pull-down resistor. Therefore, when using an external filtering resistor, please pay attention to the signal voltage drop at input terminal.

**Figure 12. Recommended MCU I/O Interface Circuit**

# NFA41560R42



## NOTE:

14. To avoid malfunction, the wiring of each input should be as short as possible (less than 2 - 3 cm).
15. VFO output is open-drain type. This signal line should be pulled up to the positive side of the MCU or control power supply with a resistor that makes IFO up to 1 mA.
16. Input signal is active-HIGH type. There is a 5kΩ resistor inside the IC to pull down each input signal line to GND. RC coupling circuits is recommended for the prevention of input signal oscillation. R1C1 time constant should be selected in the range 50~150 ns (recommended R1 = 100 Ω, C1 = 1 nF).
17. Each wiring pattern inductance of point A should be minimized (recommend less than 10 nH). Use the shunt resistor R3 of surface mounted (SMD) type to reduce wiring inductance. To prevent malfunction, wiring of point E should be connected to the terminal of the shunt resistor R3 as close as possible.
18. To insert the shunt resistor to measure each phase current at NU, NV, NW terminal, it makes to change the trip level ISC about the short-circuit current.
19. To prevent errors of the protection function, the wiring of point B, C, and D should be as short as possible.
20. In the short-circuit protection circuit, please select the R5C5 time constant in the range 1.5~2 μs. Do enough evaluation on the real system because short-circuit protection time may vary wiring pattern layout and value of the R5C5 time constant.
21. Each capacitor should be mounted as close to the pins of the Motion SPM 45 product as possible.
22. To prevent surge destruction, the wiring between the smoothing capacitor C6 and the P & GND pins should be as short as possible. The use of a high-frequency non-inductive capacitor of around 0.1~0.22 μF between the P and GND pins is recommended.
23. Relays are used in almost every systems of electrical equipment in home appliances. In these cases, there should be sufficient distance between the MCU and the relays.
24. The zener diode or transient voltage suppressor should be adopted for the protection of ICs from the surge destruction between each pair of control supply terminals (recommended zener diode is 22 V / 1 W, which has the lower zener impedance characteristic than about 15 Ω).
25. C2 of around seven times larger than bootstrap capacitor C3 is recommended.
26. Please choose the electrolytic capacitor with good temperature characteristic in C3. Also, choose 0.1~0.2 μF R-category ceramic capacitors with good temperature and frequency characteristics in C4.

Figure 13. Typical Application Circuit

## NFA41560R42

### ORDERING INFORMATION

Device	Device Marking	Package	Shipping
NFA41560R42	NFA41560R42	SPMAA-C26 / 26LD, PDD STD CERAMIC TYPE, LONG LEAD DUAL FORM TYPE (Pb-Free)	12 Units / Rail

SPM is registered trademark of Semiconductor Components Industries, LLC (SCILLC) or its subsidiaries in the United States and/or other countries.

# MECHANICAL CASE OUTLINE

## PACKAGE DIMENSIONS

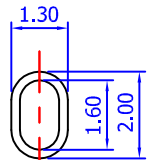
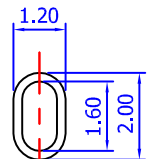
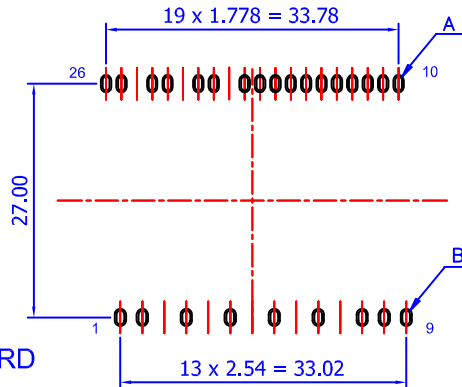
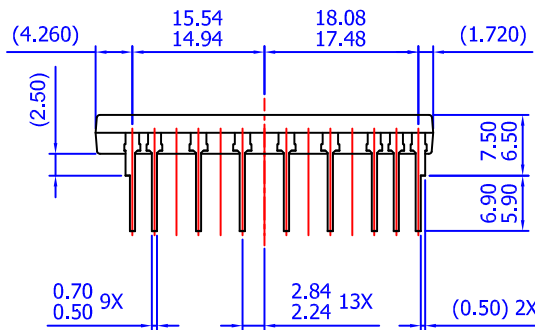
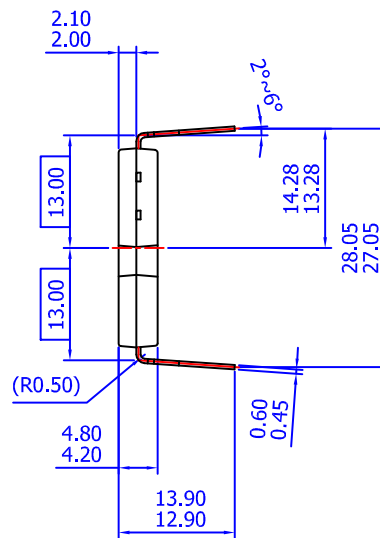
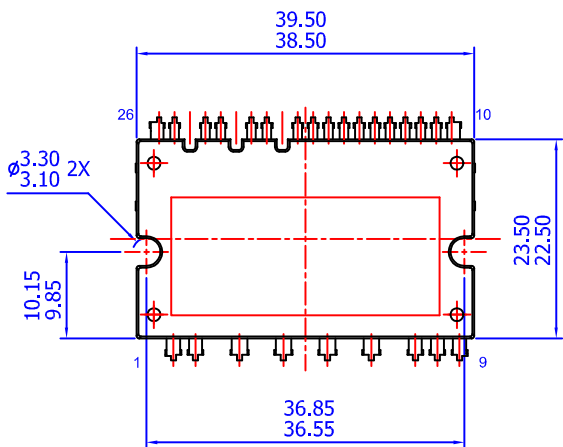
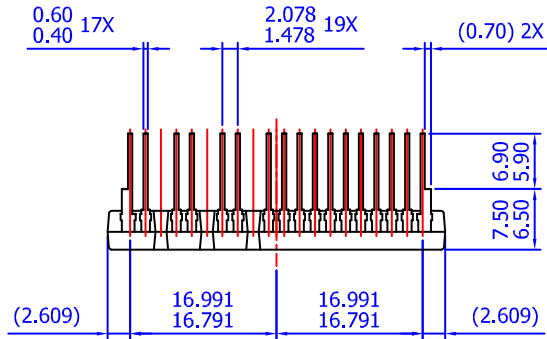
ON Semiconductor®



### SPMAA-C26 / 26LD, PDD STD CERAMIC TYPE, LONG LEAD DUAL FORM TYPE

CASE MODFC  
ISSUE O

DATE 31 JAN 2017



- NOTES: UNLESS OTHERWISE SPECIFIED
- A) THIS PACKAGE DOES NOT COMPLY TO ANY CURRENT PACKAGING STANDARD
  - B) ALL DIMENSIONS ARE IN MILLIMETERS
  - C) DIMENSIONS ARE EXCLUSIVE OF BURRS, MOLD FLASH, AND TIE BAR EXTRUSIONS
  - D) ( ) IS REFERENCE

### LAND PATTERN RECOMMENDATIONS

<b>DOCUMENT NUMBER:</b>	<b>98AON13555G</b>	Electronic versions are uncontrolled except when accessed directly from the Document Repository. Printed versions are uncontrolled except when stamped "CONTROLLED COPY" in red.
<b>DESCRIPTION:</b>	<b>SPMAA-C26 / 26LD, PDD STD CERAMIC TYPE, LONG LEAD DUAL</b>	<b>PAGE 1 OF 1</b>

ON Semiconductor and are trademarks of Semiconductor Components Industries, LLC dba ON Semiconductor or its subsidiaries in the United States and/or other countries. ON Semiconductor reserves the right to make changes without further notice to any products herein. ON Semiconductor makes no warranty, representation or guarantee regarding the suitability of its products for any particular purpose, nor does ON Semiconductor assume any liability arising out of the application or use of any product or circuit, and specifically disclaims any and all liability, including without limitation special, consequential or incidental damages. ON Semiconductor does not convey any license under its patent rights nor the rights of others.

**onsemi**, **Onsemi**, and other names, marks, and brands are registered and/or common law trademarks of Semiconductor Components Industries, LLC dba "**onsemi**" or its affiliates and/or subsidiaries in the United States and/or other countries. **onsemi** owns the rights to a number of patents, trademarks, copyrights, trade secrets, and other intellectual property. A listing of **onsemi**'s product/patent coverage may be accessed at [www.onsemi.com/site/pdf/Patent-Marking.pdf](http://www.onsemi.com/site/pdf/Patent-Marking.pdf). **onsemi** reserves the right to make changes at any time to any products or information herein, without notice. The information herein is provided "as-is" and **onsemi** makes no warranty, representation or guarantee regarding the accuracy of the information, product features, availability, functionality, or suitability of its products for any particular purpose, nor does **onsemi** assume any liability arising out of the application or use of any product or circuit, and specifically disclaims any and all liability, including without limitation special, consequential or incidental damages. Buyer is responsible for its products and applications using **onsemi** products, including compliance with all laws, regulations and safety requirements or standards, regardless of any support or applications information provided by **onsemi**. "Typical" parameters which may be provided in **onsemi** data sheets and/or specifications can and do vary in different applications and actual performance may vary over time. All operating parameters, including "Typicals" must be validated for each customer application by customer's technical experts. **onsemi** does not convey any license under any of its intellectual property rights nor the rights of others. **onsemi** products are not designed, intended, or authorized for use as a critical component in life support systems or any FDA Class 3 medical devices or medical devices with a same or similar classification in a foreign jurisdiction or any devices intended for implantation in the human body. Should Buyer purchase or use **onsemi** products for any such unintended or unauthorized application, Buyer shall indemnify and hold **onsemi** and its officers, employees, subsidiaries, affiliates, and distributors harmless against all claims, costs, damages, and expenses, and reasonable attorney fees arising out of, directly or indirectly, any claim of personal injury or death associated with such unintended or unauthorized use, even if such claim alleges that **onsemi** was negligent regarding the design or manufacture of the part. **onsemi** is an Equal Opportunity/Affirmative Action Employer. This literature is subject to all applicable copyright laws and is not for resale in any manner.

## ADDITIONAL INFORMATION

### TECHNICAL PUBLICATIONS:

Technical Library: [www.onsemi.com/design/resources/technical-documentation](http://www.onsemi.com/design/resources/technical-documentation)  
onsemi Website: [www.onsemi.com](http://www.onsemi.com)

### ONLINE SUPPORT: [www.onsemi.com/support](http://www.onsemi.com/support)

For additional information, please contact your local Sales Representative at [www.onsemi.com/support/sales](http://www.onsemi.com/support/sales)