

# NCV7380

## LIN Transceiver

The NCV7380 is a physical layer device for a single wire data link capable of operating in applications where high data rate is not required and a lower data rate can achieve cost reductions in both the physical media components and in the microprocessor which uses the network. The NCV7380 is designed to work in systems developed for LIN 1.3 or LIN 2.0. The IC furthermore can be used in ISO9141 systems.

Because of the very low current consumption of the NCV7380 in recessive state, it's suitable for ECU applications with low standby current requirements, whereby no sleep/wakeup control from the microprocessor is necessary.

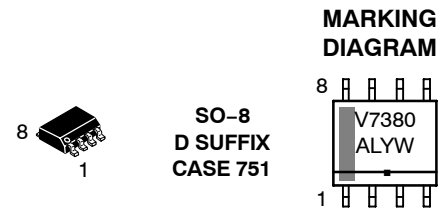
### Features

- Operating Voltage  $V_S = 7.0$  to  $18$  V
- Low Current Consumption of Typ.  $24 \mu A$
- LIN-Bus Transceiver:
  - ◆ Slew Rate Control for Good EMC Behavior
  - ◆ Fully Integrated Receiver Filter
  - ◆ BUS Input Voltage  $-27$  V to  $40$  V
  - ◆ Integrated Termination Resistor for LIN Slave Nodes ( $30$  k $\Omega$ )
  - ◆ Baud Rate up to  $20$  kBaud
  - ◆ Will Work in Systems Designed for either LIN 1.3 or LIN 2.0
- Compatible to ISO9141 Functions
- High EMI Immunity
- Bus Terminals Protect Against Short-Circuits and Transients in the Automotive Environment
- Bus Pin High Impedance During Loss of Ground and Undervoltage Conditions
- Thermal Overload Protection
- High Signal Symmetry for use in RC-Based Slave Nodes up to 2% Clock Tolerance when Compared to the Master Node
- $\pm 1000$  V ESD Protection, Charged Device Model
- NCV Prefix for Automotive and Other Applications Requiring Site and Change Control
- Pb-Free Packages are Available



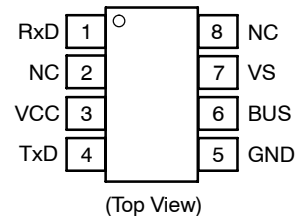
**ON Semiconductor®**

<http://onsemi.com>



V7380 = Specific Device Code  
 A = Assembly Location  
 L = Wafer Lot  
 Y = Year  
 W = Work Week  
 ■ = Pb-Free Package

### PIN CONNECTIONS



### ORDERING INFORMATION

Device	Package	Shipping†
NCV7380D	SO-8	95 Units/Rail
NCV7380DG	SO-8 (Pb-Free)	95 Units/Rail
NCV7380DR2	SO-8	2500 Tape & Reel
NCV7380DR2G	SO-8 (Pb-Free)	2500 Tape & Reel

† For information on tape and reel specifications, including part orientation and tape sizes, please refer to our Tape and Reel Packaging Specifications Brochure, BRD8011/D.

# NCV7380

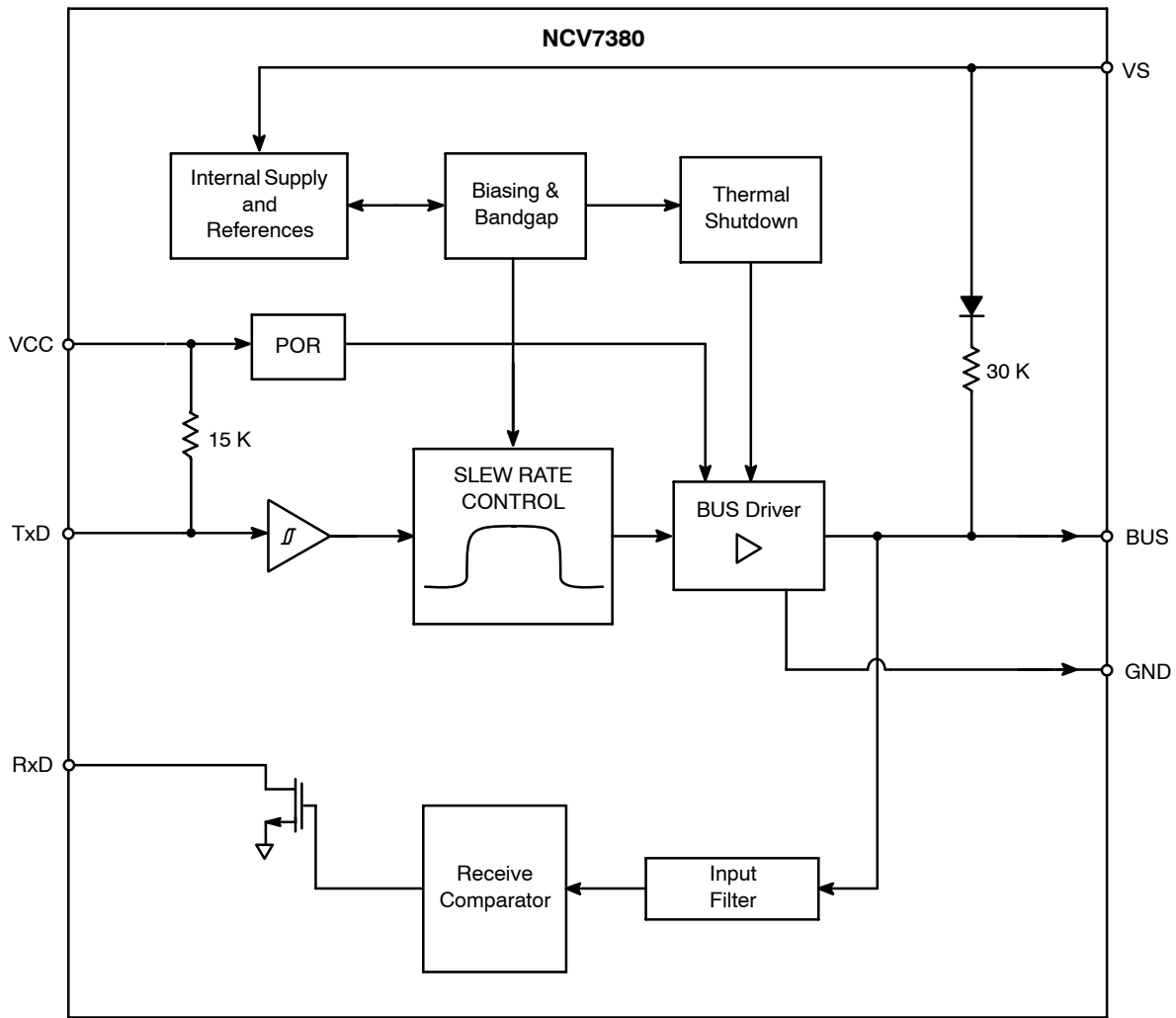


Figure 1. Block Diagram

## PACKAGE PIN DESCRIPTION

Pin	Symbol	Description
1	RXD	Receive data from BUS to microprocessor, LOW in dominant state.
2	NC	No connection.
3	VCC	5.0 V supply input.
4	TXD	Transmit data from microprocessor to BUS, LOW in dominant state.
5	GND	Ground.
6	BUS	LIN bus pin, LOW in dominant state.
7	VS	Battery input voltage.
8	NC	No connection.

**Electrical Specification**

All voltages are referenced to ground (GND). Positive currents flow into the IC.

The maximum ratings given in the table below are limiting values that do not lead to a permanent damage of

the device but exceeding any of these limits may do so. Long term exposure to limiting values may effect the reliability of the device.

**OPERATING CONDITIONS**

Characteristic	Symbol	Min	Max	Unit
Battery Supply Voltage (Note 1)	V <sub>S</sub>	7.0	18	V
Supply Voltage	V <sub>CC</sub>	4.5	5.5	V
Operating Ambient Temperature	T <sub>A</sub>	-40	+125	°C

**MAXIMUM RATINGS**

Rating	Symbol	Condition	Min	Max	Unit
Battery Supply Voltage	V <sub>S</sub>	t < 1 min	-0.3	30	V
		Load Dump, t < 500 ms		40	
Supply Voltage	V <sub>CC</sub>	-	-0.3	+7.0	V
Transient Supply Voltage	V <sub>S.tr1</sub>	ISO 7637/1 Pulse 1 (Note 2)	-150	-	V
Transient Supply Voltage	V <sub>S.tr2</sub>	ISO 7637/1 Pulses 2 (Note 2)	-	100	V
Transient Supply Voltage	V <sub>S.tr3</sub>	ISO 7637/1 Pulses 3A, 3B	-150	150	V
BUS Voltage	V <sub>BUS</sub>	t < 500 ms , V <sub>s</sub> = 18 V	-27	40	V
		t < 500 ms , V <sub>s</sub> = 0 V	-40		
Transient Bus Voltage	V <sub>BUS.tr1</sub>	ISO 7637/1 Pulse 1 (Note 3)	-150	-	V
Transient Bus Voltage	V <sub>BUS.tr2</sub>	ISO 7637/1 Pulses 2 (Note 3)	-	100	V
Transient Bus Voltage	V <sub>BUS.tr3</sub>	ISO 7637/1 Pulses 3A, 3B (Note 3)	-150	150	V
DC Voltage on Pins TxD, RxD	V <sub>DC</sub>	-	-0.3	7.0	V
ESD Capability, Charged Device Model	V <sub>ESDCDM</sub>	(Note 4)	-1.0	1.0	kV
ESD Capability of RxD, TxD, V <sub>CC</sub> , BUS Pins ESD Capability of V <sub>S</sub> Pin	V <sub>ESDHBM</sub>	Human body model, equivalent to discharge 100 pF with 1.5 kΩ (Note 4)	-2.0	2.0	kV
			-1.5	1.5	kV
Maximum Latchup Free Current at Any Pin	I <sub>LATCH</sub>	-	-500	500	mA
Maximum Power Dissipation	P <sub>tot</sub>	At T <sub>A</sub> = 125°C	-	197	mW
Thermal Impedance	θ <sub>JA</sub>	In Free Air	-	152	°C/W
Storage Temperature	T <sub>stg</sub>	-	-55	+150	°C
Junction Temperature	T <sub>J</sub>	-	-40	+150	°C

**LEAD TEMPERATURE SOLDERING REFLOW**

Lead Free, 60 sec -150 sec above 217, 40 sec Max at Peak	T <sub>SLD</sub>	-	265 Peak	°C
Leaded, 60 sec -150 sec above 183, 30 sec Max at Peak	T <sub>SLD</sub>	-	240 Peak	°C

Stresses exceeding Maximum Ratings may damage the device. Maximum Ratings are stress ratings only. Functional operation above the Recommended Operating Conditions is not implied. Extended exposure to stresses above the Recommended Operating Conditions may affect device reliability.

- V<sub>S</sub> is the IC supply voltage including voltage drop of reverse battery protection diode, V<sub>DROP</sub> = 0.4 to 1.0 V, V<sub>BAT\_ECU</sub> voltage range is 7.0 to 18 V.
- ISO 7637 test pulses are applied to V<sub>S</sub> via a reverse polarity diode and > 2.0 μF blocking capacitor.
- ISO 7637 test pulses are applied to BUS via a coupling capacitance of 1.0 nF.
- This device incorporates ESD protection and is tested by the following methods:  
 ESD HBM tested per AEC-Q100-002 (EIA/JESD22-A 114C)  
 ESD CDM tested per EIA/JESD22-C 101C, Field Induced Model.

# NCV7380

## ELECTRICAL CHARACTERISTICS ( $V_S = 7.0$ to $18$ V, $V_{CC} = 4.5$ to $5.5$ V and $T_A = -40$ to $125^\circ\text{C}$ unless otherwise noted.)

Characteristic	Symbol	Condition	Min	Typ	Max	Unit
<b>GENERAL</b>						
$V_{CC}$ Undervoltage Lockout	$V_{CC\_UV}$	$V_S > 6.0$ V, TxD = L, EN = H	2.75	–	4.3	V
Supply Current, Dominant	$I_{sd}$	$V_S = 18$ V, $V_{CC} = 5.5$ V, TxD = L	–	1.0	3.0	mA
Supply Current, Dominant	$I_{CCd}$	$V_S = 18$ V, $V_{CC} = 5.5$ V, TxD = L	–	0.8	1.5	mA
Supply Current, Recessive	$I_{sr}$	$V_S = 18$ V, $V_{CC} = 5.5$ V, TxD = Open	–	10	20	$\mu\text{A}$
Supply Current, Recessive	$I_{CCr}$	$V_S = 18$ V, $V_{CC} = 5.5$ V, TxD = Open	–	14	30	$\mu\text{A}$
Supply Current, Recessive	$I_{Sr} + I_{CCr}$	$V_S = 12$ V, $V_{CC} = 5.0$ V, TxD = Open, $T_A = 25^\circ$	–	24	–	$\mu\text{A}$
Thermal Shutdown	$T_{sd}$ (Note 5)	–	155	–	180	$^\circ\text{C}$
Thermal Recovery	$T_{hys}$ (Note 5)	–	126	140	150	$^\circ\text{C}$

### BUS – Transmit

Short Circuit Bus Current	$I_{BUS\_LIM}$ (Notes 6 and 7)	$V_{BUS} = V_S$ , Driver On	–	120	200	mA
Pullup Current Bus	$I_{BUS\_PU}$ (Notes 6 and 7)	$V_{BUS} = 0$ , $V_S = 12$ V, Driver Off	–600	–	–200	$\mu\text{A}$
Bus Reverse Current, Recessive	$I_{BUS\_PAS\_rec}$ (Notes 6 and 7)	$V_{BUS} > V_S$ , $8.0$ V $< V_{BUS} < 18$ V, $7.0$ V $< V_S < 18$ V, Driver Off	–	–	5.0	$\mu\text{A}$
Bus Reverse Current Loss of Battery	$I_{BUS}$ (Notes 6 and 7)	$V_S = 0$ V, $0$ V $< V_{BUS} < 18$ V	–	–	5.0	$\mu\text{A}$
Bus Current During Loss of Ground	$I_{BUS\_NO\_GND}$ (Notes 6 and 7)	$V_S = 12$ V, $0 < V_{BUS} < 18$ V	–1.0	–	1.0	mA
Transmitter Dominant Voltage	$V_{BUSdom\_DRV\_2}$ (Note 6)	$V_S = 7.0$ V, Load = $500 \Omega$	–	–	1.2	V
Transmitter Dominant Voltage	$V_{BUSdom\_DRV\_3}$ (Note 6)	$V_S = 18$ V, Load = $500 \Omega$	–	–	2.0	V
Bus Input Capacitance	$C_{BUS}$ (Note 5)	Pulse Response via $10$ k $\Omega$ , $V_{PULSE} = 12$ V, $V_S = \text{Open}$	–	25	35	pF

### BUS – Receive

Receiver Dominant Voltage	$V_{BUSdom}$ (Notes 6 and 7)	–	$0.4 * V_S$	–	–	V
Receiver Recessive Voltage	$V_{BUSrec}$ (Notes 6 and 7)	–	–	–	$0.6 * V_S$	V
Center Point of Receiver Threshold	$V_{BUS\_CNT}$ (Notes 6 and 7)	$V_{BUS\_CNT} = (V_{BUSdom} + V_{BUSrec})/2$	$0.487 * V_S$	$0.5 * V_S$	$0.512 * V_S$	V
Receiver Hysteresis	$V_{HYS}$ (Notes 6 and 7)	$V_{BUS\_CNTt} = (V_{BUSrec} - V_{BUSdom})$	–	$0.16 * V_S$	–	V

5. No production test, guaranteed by design and qualification.
6. In accordance to LIN physical layer specification 1.3.
7. In accordance to LIN physical layer specification 2.0.

# NCV7380

## ELECTRICAL CHARACTERISTICS (continued) ( $V_S = 7.0$ to $18$ V, $V_{CC} = 4.5$ to $5.5$ V and $T_A = -40$ to $125^\circ\text{C}$ unless otherwise noted.)

Characteristic	Symbol	Condition	Min	Typ	Max	Unit
<b>TXD</b>						
High Level Input Voltage	$V_{ih}$	Rising Edge	-	-	$0.7 \cdot V_{CC}$	V
Low Level Input Voltage	$V_{il}$	Falling Edge	$0.3 \cdot V_{CC}$	-	-	V
TxD Pullup Resistor	$R_{IH\_TXD}$	$V_{TXD} = 0$ V	10	15	25	k $\Omega$

### RXD

Low Level Output Voltage	$V_{ol\_rxd}$	$I_{RXD} = 2.0$ mA	-	-	0.9	V
Leakage Current	$V_{leak\_rxd}$	$V_{RXD} = 5.5$ V, Recessive	-10	-	10	$\mu\text{A}$

### AC CHARACTERISTICS

Propagation Delay Transmitter (Notes 10 and 12)	$t_{trans\_pdf}$ $t_{trans\_pdr}$	Bus Loads: $1.0$ K $\Omega$ / $1.0$ nF, $660$ $\Omega$ / $6.8$ nF, $500$ $\Omega$ / $10$ nF	-	-	5.0	$\mu\text{s}$
Propagation Delay Transmitter Symmetry (Notes 8 and 12)	$t_{trans\_sym}$	Calculate $t_{trans\_pdf} - t_{trans\_pdr}$	-2.0	-	2.0	$\mu\text{s}$
Propagation Delay Receiver (Notes 8, 9, 10, 12 and 15)	$t_{rec\_pdf}$ $t_{rec\_pdr}$	$C_{RXD} = 20$ pF	-	-	6.0	$\mu\text{s}$
Propagation Delay Receiver Symmetry (Notes 8 and 9)	$t_{rec\_sym}$	Calculate $t_{trans\_pdf} - t_{trans\_pdr}$	-2.0	-	2.0	$\mu\text{s}$
Slew Rate Rising and Falling Edge, High Battery (Notes 8 and 13)	$t_{SR\_HB}$	Bus Loads: $V_S = 18$ V, $1.0$ K $\Omega$ / $1.0$ nF, $660$ $\Omega$ / $6.8$ nF, $500$ $\Omega$ / $10$ nF	1.0	2.0	3.0	V/ $\mu\text{s}$
Slew Rate Rising and Falling Edge, Low Battery (Notes 8 and 13)	$t_{SR\_LB}$	Bus Loads: $V_S = 7.0$ V, $1.0$ K $\Omega$ / $1.0$ nF, $660$ $\Omega$ / $6.8$ nF, $500$ $\Omega$ / $10$ nF	0.5	2.0	3.0	V/ $\mu\text{s}$
Slope Symmetry, High Battery (Notes 8 and 13)	$t_{ssym\_HB}$	Bus Loads: $V_S = 18$ V, $1.0$ K $\Omega$ / $1.0$ nF, $660$ $\Omega$ / $6.8$ nF, $500$ $\Omega$ / $10$ nF, Calculate $t_{sdom} - t_{srec}$	-5.0	-	5.0	$\mu\text{s}$
Bus Duty Cycle (Notes 9 and 16)	D1 D2	Calculate $t_{BUS\_rec(min)}/100$ $\mu\text{s}$ Calculate $t_{BUS\_rec(max)}/100$ $\mu\text{s}$	0.396 -	- -	- 0.581	$\mu\text{s}/\mu\text{s}$ $\mu\text{s}/\mu\text{s}$
Receiver Debounce Time (Notes 11, 14 and 15)	$t_{rec\_deb}$	BUS Rising and Falling Edge	1.5	-	4.0	$\mu\text{s}$

8. In accordance to LIN physical layer specification 1.3.

9. In accordance to LIN physical layer specification 2.0.

10. Propagation delays are not relevant for LIN protocol transmission, only symmetry.

11. No production test, guaranteed by design and qualification.

12. See Figure 2 – Input/Output Timing.

13. See Figure 7 – Slope Time Calculation.

14. See Figure 3 – Receiver Debouncing.

15. This parameter is tested by applying a square wave to the bus. The minimum slew rate for the bus rising and falling edges is  $50$  V/ $\mu\text{s}$ .

16. See Figure 8 – Duty Cycle Measurement and Calculation.

TIMING DIAGRAMS

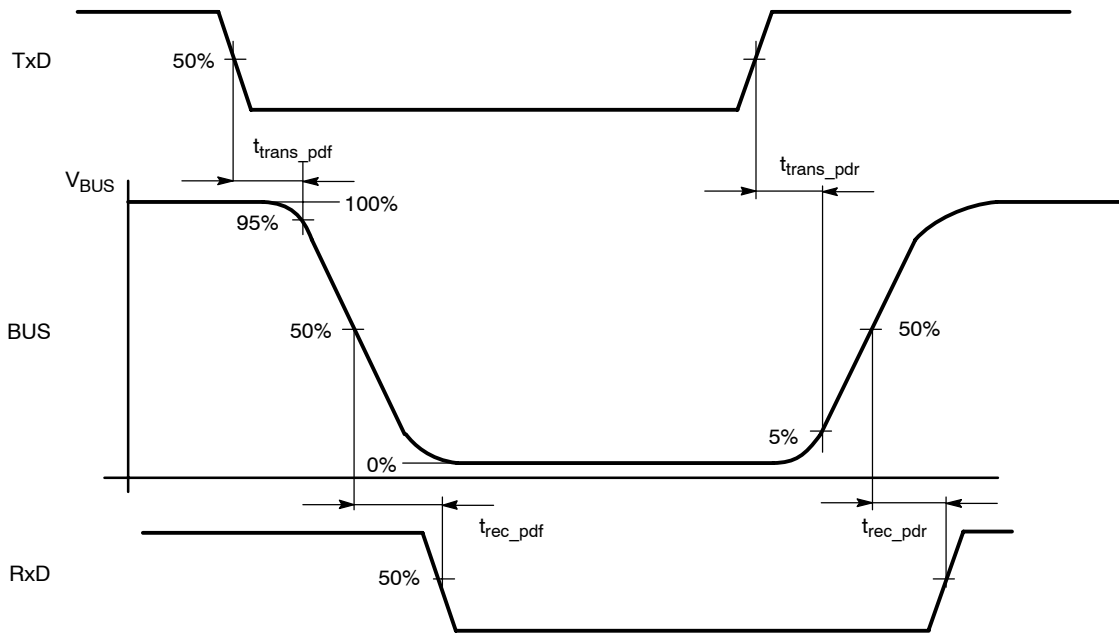


Figure 2. Input/Output Timing

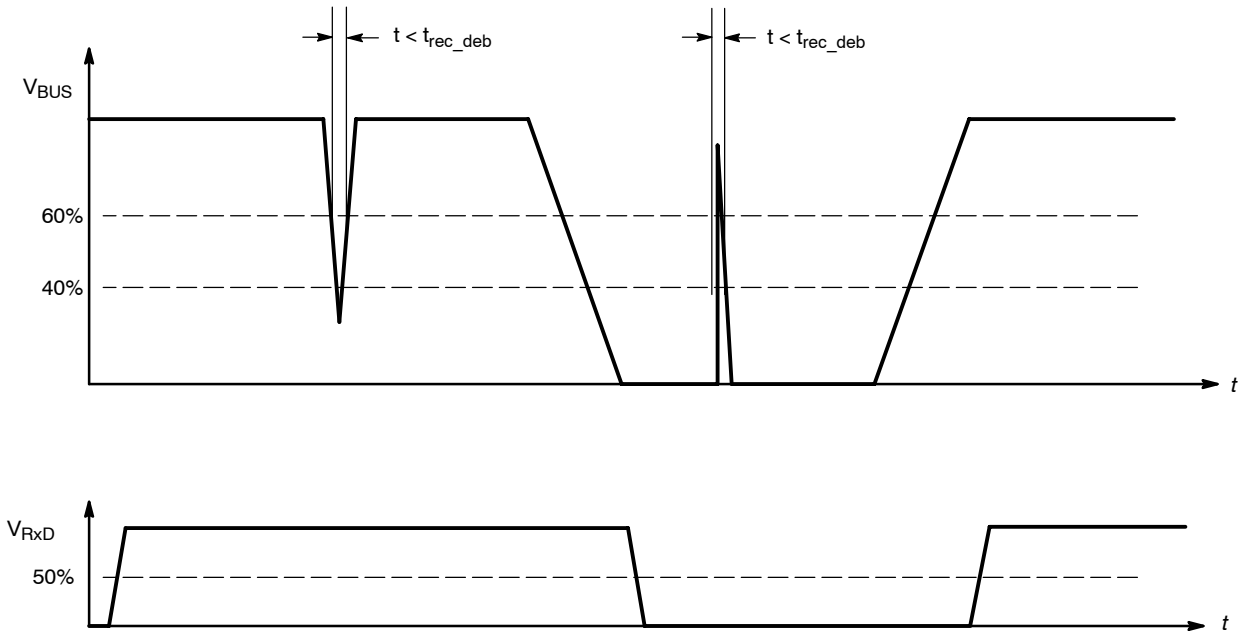


Figure 3. Receiver Debouncing Filter

# NCV7380

## TEST CIRCUITS FOR DYNAMIC AND STATIC CHARACTERISTICS

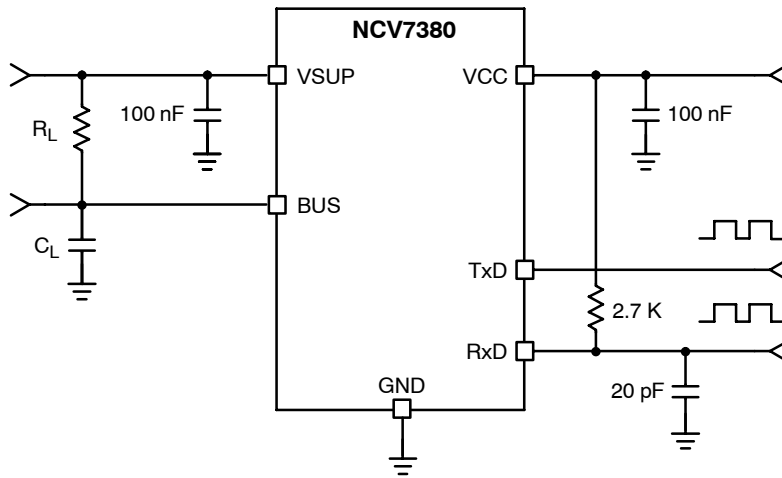


Figure 4. Test Circuit for Dynamic Characteristics

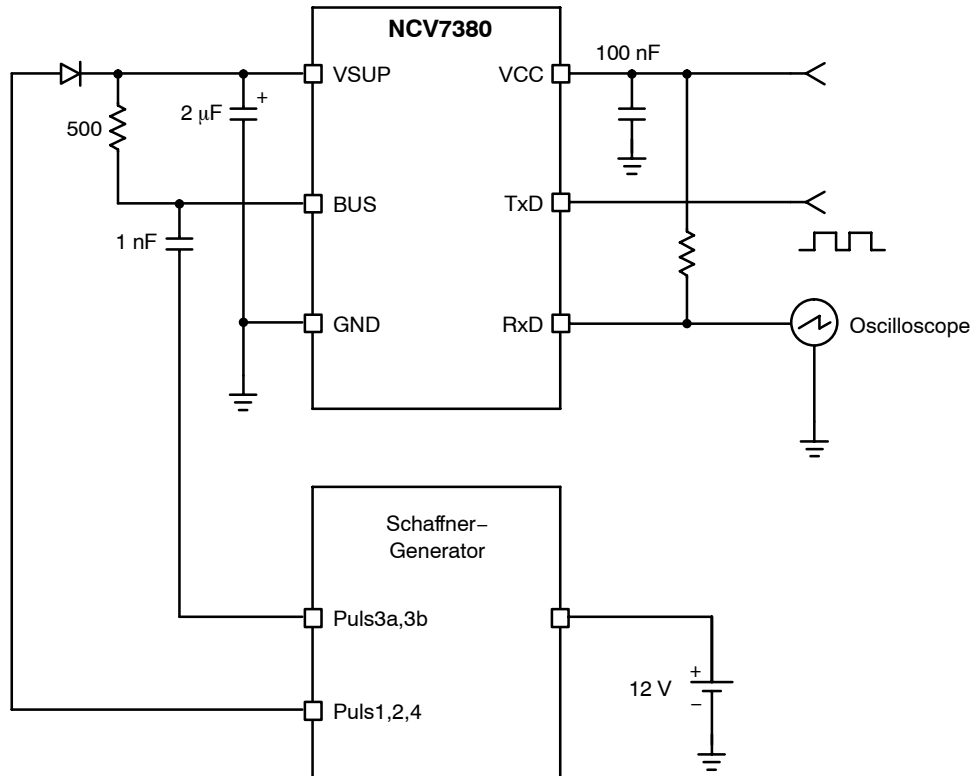


Figure 5. Test Circuit for Automotive Transients

**Functional Description**

**Initialization**

After *power on*, the chip automatically enters the recessive state (TxD = Open). Both  $V_{CC}$  and  $V_S$  must be present.

**Operating Modes**

All operation modes will be handled from the NCV7380 automatically.

**Normal Mode**

After power on, the IC switches automatically to normal mode. Bus communication is possible. If there is no communication on the bus line the power consumption of the IC is very low and does not require microprocessor control.

**Thermal Shutdown Mode**

If the junction temperature  $T_J$  is higher than  $155^{\circ}C$ , the NCV7380 could be switched into the thermal shutdown mode (bus driver will be switched off, receiver is on).

If  $T_J$  falls below the thermal shutdown temperature (typical  $140^{\circ}C$ ) the NCV7380 will be switched to the normal mode.

**LIN BUS Transceiver**

The transceiver consists of a bus-driver (1.2 V @ 40 mA) with slew rate control and current limit, and a receiver with a high voltage comparator with filter circuitry.

**BUS Input/Output**

The recessive BUS level is generated from the integrated 30 k pullup resistor in series with a diode. The diode prevents reverse current on  $V_{BUS}$  when  $V_{BUS} > V_S$ .

No additional termination resistor is necessary to use the NCV7380 on LIN slave nodes. If this IC is used for LIN master nodes, it is necessary to terminate the bus with an external 1.0 k $\Omega$  resistor in series with a diode to  $V_{BAT}$  (Figure 9).

**TxD Input**

During transmission the signal on TxD will be transferred to the BUS driver for generating a BUS signal. To minimize the electromagnetic emission of the bus line, the BUS driver has integrated slew rate control and wave shaping.

Transmitting will be interrupted if thermal shutdown is active.

The CMOS compatible input TxD directly controls the BUS level:

TxD = low  $\rightarrow$  BUS = low (dominant level)

TxD = high  $\rightarrow$  BUS = high (recessive level)

The TxD pin has an internal pullup resistor connected to  $V_{CC}$ . This secures that an open TxD pin generates a recessive BUS level.

**RxD Output**

The signal on the BUS pin will be transferred continuously to the RxD pin. Short spikes on the bus signal are filtered with internal circuitry (Figure 3 and Figure 6).

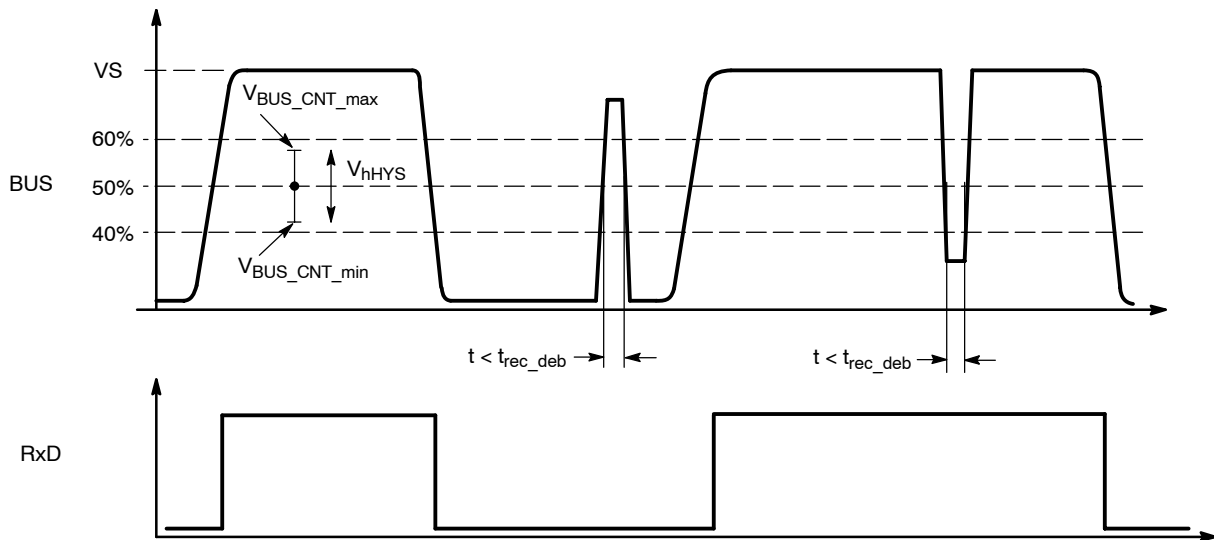


Figure 6. Receive Impulse Diagram



# NCV7380

The receive threshold values  $V_{BUS\_CNT\_max}$  and  $V_{BUS\_CNT\_min}$  are symmetrical to  $0.5 \cdot V_S$  with a hysteresis of  $0.16 \cdot V_S$  (typ). The LIN specific receive threshold is between  $0.4 \cdot V_S$  and  $0.6 \cdot V_S$ .

The received BUS signal will be output to the RxD pin:

$$BUS < V_{BUS\_CNT} - 0.5 \cdot V_{HYS} \\ \rightarrow RxD = \text{low (BUS dominant)}$$

$$BUS > V_{BUS\_CNT} + 0.5 \cdot V_{HYS} \\ \rightarrow RxD = \text{high, floating (BUS recessive)}$$

RxD is a buffered open drain output with a typical load of:

Resistance: 2.7 k $\Omega$

Capacitance: < 20 pF

## Data Rate

The NCV7380 is a *constant slew rate* transceiver. The bus driver operates with a fixed slew rate range of 1.0 V/ $\mu$ s  $\leq \Delta V/\Delta T \leq 3.0$  V/ $\mu$ s. This principle provides very good symmetry of the slope times between recessive to dominant and dominant to recessive slopes within the LIN bus load range ( $C_{BUS}$ ,  $R_{term}$ ).

The NCV7380 guarantees data rates up to 20 kBit within the complete bus load range under worst case conditions. The constant slew rate principle holds appropriate voltage levels and can operate within the LIN Protocol Specification for RC oscillator systems with a matching tolerance up to 2%.

## Application Hints

### LIN System Parameter

#### Bus Loading Requirements

Parameter	Symbol	Min	Typ	Max	Unit
Operating Voltage Range	$V_{BAT}$	8.0	–	18	V
Voltage Drop of Reverse Protection Diode	$V_{Drop\_rev}$	0.4	–	1.0	V
Voltage Drop of Bus Decouple Diode in the Master Node	$V_{Drop\_dec}$	0.4	–	1.0	V
Battery Offset Voltage	$V_{batoff}$	–	–	0.1	$V_{BAT}$
Ground Offset Voltage	$V_{goff}$	–	–	0.1	$V_{BAT}$
Master Termination Resistor	$R_{pu\_master}$	900	1000	1100	$\Omega$
Slave Termination Resistor	$R_{pu\_slave}$	20	30	60	k $\Omega$
Number of System Nodes	N	2	–	16	–
Network Distance between any two ECU Nodes	$B_{US\_length}$	–	–	40	m
Line Capacitance	$C_{LINE}$	–	100	150	pF/m
Capacitance of Master Node	$C_{Master}$	–	220	–	pF
Capacitance of Slave Node	$C_{Slave}$	195	220	300	pF
Network Total Capacitance	$C_{t1}$	1.0	4.0	10	nF
Network Total Resistance	$R_{t1}$	537	–	863	$\Omega$
Time Constant of Overall System	$\tau_{net}$	1.0	–	5.0	$\mu$ s

## Operating Under Disturbance

### Loss of Battery

If  $V_S$  and  $V_{CC}$  are disconnected from the battery, the bus pin is in high impedance state. There is no impact to the bus traffic.

### Loss of Ground

In case of an interrupted ground connection from  $V_S$  and  $V_{CC}$ , there is no influence to the bus line.

### Short Circuit BUS to Battery

The transmitter output current is limited to 200 mA (max) in case of short circuit to battery.

### Short Circuit BUS to Ground

Negative voltages on the bus pin are limited to current through the internal 30 k resistor and series diode from  $V_S$ .

### Thermal Overload

The NCV7380 is protected against thermal overloads. If the chip temperature exceeds the thermal shutdown threshold, the transmitter is switched off until thermal recovery. The receiver continues to work during thermal shutdown.

### Undervoltage $V_{CC}$

The  $V_{CC}$  undervoltage lockout feature disables the transmitter until it is above the undervoltage lockout threshold to prevent undesirable bus traffic.

**Recommendations for System Design**

The goal of the LIN physical layer standard is to have a universal definition of the LIN system for plug and play solutions in LIN networks up to 20 kBd bus speeds.

In case of small and medium LIN networks, it's recommended to adjust the total network capacitance to at least 4.0 nF for good EMC and EMI behavior. This can be done by setting only the master node capacitance. The slave node capacitance should have a unit load of typically 220 pF for good EMC/EMI behavior.

In large networks with long bus lines and the maximum number of nodes, some system parameters can exceed the defined limits and the LIN system designer must intervene.

The whole capacitance of a slave node is not only the unit load capacitor itself. Additionally, there is the capacitance of wires and connectors, and the internal capacitance of the LIN transmitter. This internal capacitance is strongly dependent on the technology of the IC manufacturer and should be in the range of 30 pF to 150 pF. If the bus lines have a total length of nearly 40m, the total bus capacitance can exceed the LIN system limit of 10 nF.

A second parameter of concern is the integrated slave termination resistor tolerance. If most of the slave nodes have a slave termination resistance at the allowed maximum of 60 kΩ, the total network resistance is more than 700 Ω. Even if the total network capacitance is below or equal to the maximum specified value of 10 nF, the network time constant is higher than 7.0 μs.

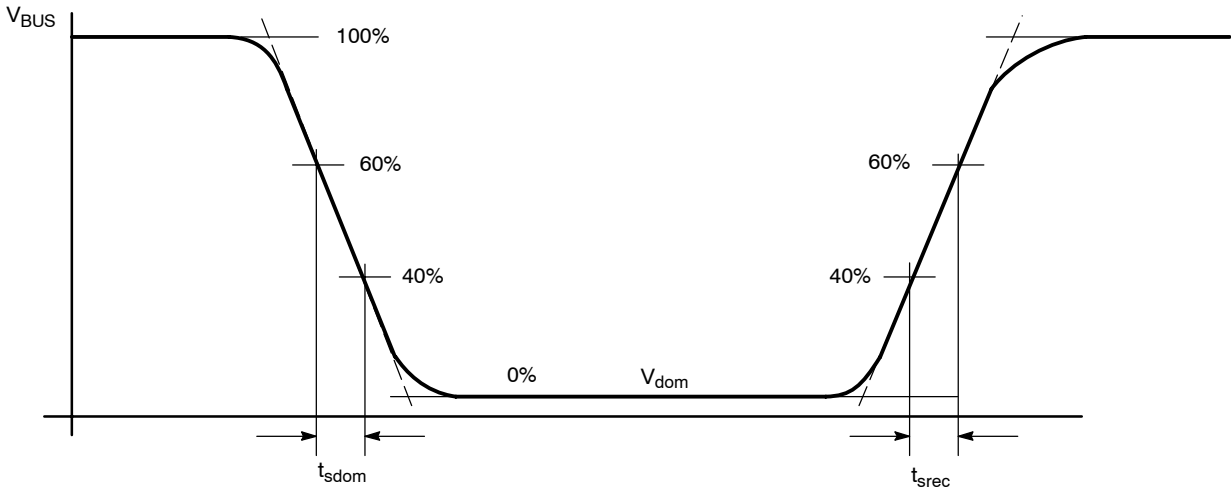
This problem can be solved only by adjusting the master termination resistor to the required maximum network time constant of 5.0 μs (max).

NOTE: *The NCV7380 meets the requirements for implementation in RC-based slave nodes. The LIN Protocol Specification requires the deviation of the slave node clock to the master node clock after synchronization must not differ by more than ±2%.*

*Setting the network time constant is necessary in large networks (primarily resistance) and also in small networks (primarily capacitance).*

**MIN/MAX SLOPE TIME CALCULATION**

(In accordance to the LIN System Parameter Table)



**Figure 7. Slope Time and Slew Rate Calculation**

(In accordance to LIN physical layer specification 1.3)

The slew rate of the bus voltage is measured between 40% and 60% of the output voltage swing (linear region). The output voltage swing is the difference between dominant and recessive bus voltage.

$$dV/dt = 0.2 * V_{swing} / (t_{40\%} - t_{60\%})$$

The slope time is the extension of the slew rate tangent until the upper and lower voltage swing limits:

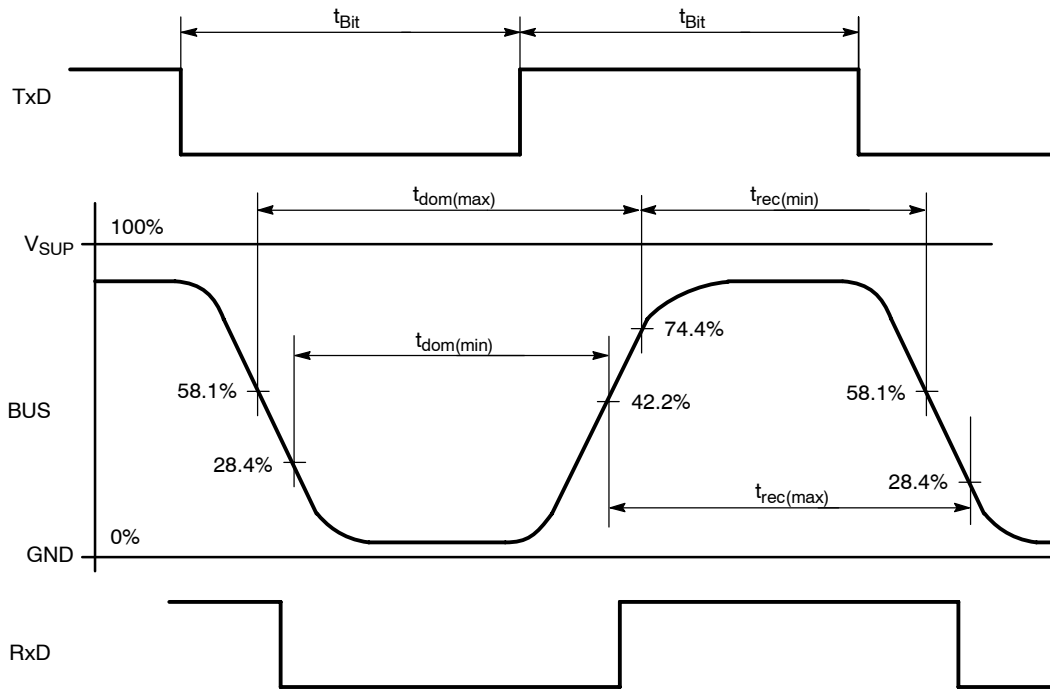
$$t_{slope} = 5 * (t_{40\%} - t_{60\%})$$

The slope time of the recessive to dominant edge is directly determined by the slew rate control of the transmitter:

$$t_{slope} = V_{swing} / dV/dt$$

The dominant to recessive edge is influenced from the network time constant and the slew rate control, because it's a passive edge. In case of low battery voltages and high bus loads the rising edge is only determined by the network. If the rising edge slew rate exceeds the value of the dominant one, the slew rate control determines the rising edge.

## NCV7380



**Figure 8. Duty Cycle Measurement and Calculation in Accordance to LIN Physical Layer Specification 2.0**

### Duty Cycle Calculation

With the timing parameters shown in Figure 8 two duty cycles, based on  $t_{rec(min)}$  and  $t_{rec(max)}$  can be calculated as follows:

$$D1^* = t_{rec(min)} / (2 \times t_{Bit})$$

$$D2^* = t_{rec(max)} / (2 \times t_{Bit})$$

For proper operation at 20 KBit/s (bit time is 50  $\mu$ s) the LIN driver has to fulfill the duty cycles specified in the AC characteristics for supply voltages of 7...18 V and the three defined standard loads.

Due to this simple definition there is no need to measure slew rates, slope times, transmitter delays and dominant

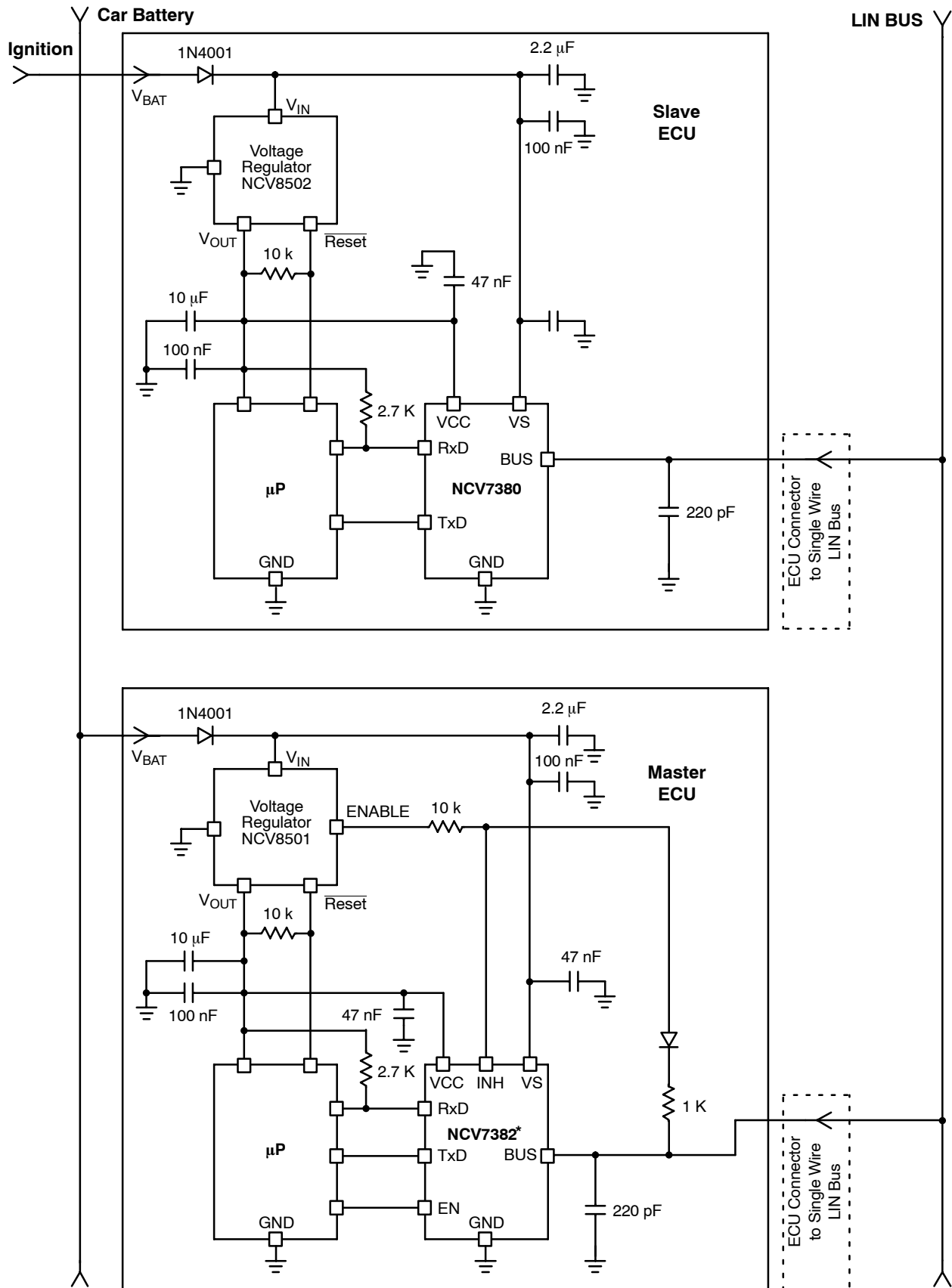
voltage levels as specified in the LIN physical layer specification 1.3.

The devices within the D1/D2 duty cycle range also operates in applications with reduced bus speed of 10.4 kBit/s or below.

In order to minimize EME, the slew rates of the transmitter can be reduced (by up to  $\approx 2$  times). Such devices have to fulfill the duty cycle definition D3/D4 in the LIN physical layer specification 2.0. Devices within this duty cycle range *cannot* operate in higher frequency 20 kBit/s applications.

\*D1 and D2 are defined in the LIN protocol specification 2.0.

# NCV7380



\*The NCV7382 is a pin compatible transceiver with INH control.

Figure 9. Application Circuitry

## NCV7380

### ESD/EMC Remarks

#### General Remarks

Electronic semiconductor products are sensitive to Electro Static Discharge (ESD). Always observe ESD control procedures whenever handling semiconductor products.

#### ESD Test

The NCV7380 is tested according to MIL883D (Human Body Model).

#### EMC

The test on EMC impacts is done according to ISO 7637-1 for power supply pins and ISO 7637-3 for data and signal pins.

### POWER SUPPLY PIN VS

Test Pulse	Condition	Duration
1	$t_1 = 5.0 \text{ s}/U_S = -100 \text{ V}/t_D = 2.0 \text{ ms}$	5000 Pulses
2	$t_1 = 0.5 \text{ s}/U_S = 100 \text{ V}/t_D = 0.05 \text{ ms}$	5000 Pulses
3a/b	$U_S = -150 \text{ V}/U_S = 100 \text{ V}$ Burst 100 ns/10 ms/90 ms Break	1 h
5	$R_i = 0.5 \Omega, t_D = 400 \text{ ms}$ $t_r = 0.1 \text{ ms}/U_P + U_S = 40 \text{ V}$	10 Pulses Every 1 Min

### DATA AND SIGNAL PINS BUS

Test Pulse	Condition	Duration
1	$t_1 = 5.0 \text{ s}/U_S = -100 \text{ V}/t_D = 2.0 \text{ ms}$	1000 Pulses
2	$t_1 = 0.5 \text{ s}/U_S = 100 \text{ V}/t_D = 0.05 \text{ ms}$	1000 Pulses
3a/b	$U_S = -150 \text{ V}/U_S = 100 \text{ V}$ Burst 100 ns/10 ms/90 ms Break	1000 Burst

# MECHANICAL CASE OUTLINE PACKAGE DIMENSIONS



SCALE 1:1

SOIC-8 NB  
CASE 751-07  
ISSUE AK

DATE 16 FEB 2011



- NOTES:
1. DIMENSIONING AND TOLERANCING PER ANSI Y14.5M, 1982.
  2. CONTROLLING DIMENSION: MILLIMETER.
  3. DIMENSION A AND B DO NOT INCLUDE MOLD PROTRUSION.
  4. MAXIMUM MOLD PROTRUSION 0.15 (0.006) PER SIDE.
  5. DIMENSION D DOES NOT INCLUDE DAMBAR PROTRUSION. ALLOWABLE DAMBAR PROTRUSION SHALL BE 0.127 (0.005) TOTAL IN EXCESS OF THE D DIMENSION AT MAXIMUM MATERIAL CONDITION.
  6. 751-01 THRU 751-06 ARE OBSOLETE. NEW STANDARD IS 751-07.

DIM	MILLIMETERS		INCHES	
	MIN	MAX	MIN	MAX
A	4.80	5.00	0.189	0.197
B	3.80	4.00	0.150	0.157
C	1.35	1.75	0.053	0.069
D	0.33	0.51	0.013	0.020
G	1.27 BSC		0.050 BSC	
H	0.10	0.25	0.004	0.010
J	0.19	0.25	0.007	0.010
K	0.40	1.27	0.016	0.050
M	0°	8°	0°	8°
N	0.25	0.50	0.010	0.020
S	5.80	6.20	0.228	0.244

### SOLDERING FOOTPRINT\*



\*For additional information on our Pb-Free strategy and soldering details, please download the ON Semiconductor Soldering and Mounting Techniques Reference Manual, SOLDERRM/D.

### GENERIC MARKING DIAGRAM\*



XXXXXX = Specific Device Code  
A = Assembly Location  
L = Wafer Lot  
Y = Year  
W = Work Week  
■ = Pb-Free Package

XXXXXX = Specific Device Code  
A = Assembly Location  
Y = Year  
WW = Work Week  
■ = Pb-Free Package

\*This information is generic. Please refer to device data sheet for actual part marking. Pb-Free indicator, "G" or microdot "•", may or may not be present. Some products may not follow the Generic Marking.

### STYLES ON PAGE 2

DOCUMENT NUMBER:	98ASB42564B	Electronic versions are uncontrolled except when accessed directly from the Document Repository. Printed versions are uncontrolled except when stamped "CONTROLLED COPY" in red.
DESCRIPTION:	SOIC-8 NB	PAGE 1 OF 2

onsemi and ONsemi are trademarks of Semiconductor Components Industries, LLC dba onsemi or its subsidiaries in the United States and/or other countries. onsemi reserves the right to make changes without further notice to any products herein. onsemi makes no warranty, representation or guarantee regarding the suitability of its products for any particular purpose, nor does onsemi assume any liability arising out of the application or use of any product or circuit, and specifically disclaims any and all liability, including without limitation special, consequential or incidental damages. onsemi does not convey any license under its patent rights nor the rights of others.

**SOIC-8 NB**  
**CASE 751-07**  
**ISSUE AK**

DATE 16 FEB 2011

- |  |   |   |   |
|--|---|---|---|
| <p><b>STYLE 1:</b><br/>         PIN 1. EMITTER<br/>         2. COLLECTOR<br/>         3. COLLECTOR<br/>         4. EMITTER<br/>         5. EMITTER<br/>         6. BASE<br/>         7. BASE<br/>         8. EMITTER</p>   | <p><b>STYLE 2:</b><br/>         PIN 1. COLLECTOR, DIE, #1<br/>         2. COLLECTOR, #1<br/>         3. COLLECTOR, #2<br/>         4. COLLECTOR, #2<br/>         5. BASE, #2<br/>         6. EMITTER, #2<br/>         7. BASE, #1<br/>         8. EMITTER, #1</p>               | <p><b>STYLE 3:</b><br/>         PIN 1. DRAIN, DIE #1<br/>         2. DRAIN, #1<br/>         3. DRAIN, #2<br/>         4. DRAIN, #2<br/>         5. GATE, #2<br/>         6. SOURCE, #2<br/>         7. GATE, #1<br/>         8. SOURCE, #1</p>                            | <p><b>STYLE 4:</b><br/>         PIN 1. ANODE<br/>         2. ANODE<br/>         3. ANODE<br/>         4. ANODE<br/>         5. ANODE<br/>         6. ANODE<br/>         7. ANODE<br/>         8. COMMON CATHODE</p>   |
| <p><b>STYLE 5:</b><br/>         PIN 1. DRAIN<br/>         2. DRAIN<br/>         3. DRAIN<br/>         4. DRAIN<br/>         5. GATE<br/>         6. GATE<br/>         7. SOURCE<br/>         8. SOURCE</p>   | <p><b>STYLE 6:</b><br/>         PIN 1. SOURCE<br/>         2. DRAIN<br/>         3. DRAIN<br/>         4. SOURCE<br/>         5. SOURCE<br/>         6. GATE<br/>         7. GATE<br/>         8. SOURCE</p>  | <p><b>STYLE 7:</b><br/>         PIN 1. INPUT<br/>         2. EXTERNAL BYPASS<br/>         3. THIRD STAGE SOURCE<br/>         4. GROUND<br/>         5. DRAIN<br/>         6. GATE 3<br/>         7. SECOND STAGE Vd<br/>         8. FIRST STAGE Vd</p>                    | <p><b>STYLE 8:</b><br/>         PIN 1. COLLECTOR, DIE #1<br/>         2. BASE, #1<br/>         3. BASE, #2<br/>         4. COLLECTOR, #2<br/>         5. COLLECTOR, #2<br/>         6. EMITTER, #2<br/>         7. EMITTER, #1<br/>         8. COLLECTOR, #1</p>                              |
| <p><b>STYLE 9:</b><br/>         PIN 1. EMITTER, COMMON<br/>         2. COLLECTOR, DIE #1<br/>         3. COLLECTOR, DIE #2<br/>         4. EMITTER, COMMON<br/>         5. EMITTER, COMMON<br/>         6. BASE, DIE #2<br/>         7. BASE, DIE #1<br/>         8. EMITTER, COMMON</p> | <p><b>STYLE 10:</b><br/>         PIN 1. GROUND<br/>         2. BIAS 1<br/>         3. OUTPUT<br/>         4. GROUND<br/>         5. GROUND<br/>         6. BIAS 2<br/>         7. INPUT<br/>         8. GROUND</p>  | <p><b>STYLE 11:</b><br/>         PIN 1. SOURCE 1<br/>         2. GATE 1<br/>         3. SOURCE 2<br/>         4. GATE 2<br/>         5. DRAIN 2<br/>         6. DRAIN 2<br/>         7. DRAIN 1<br/>         8. DRAIN 1</p>   | <p><b>STYLE 12:</b><br/>         PIN 1. SOURCE<br/>         2. SOURCE<br/>         3. SOURCE<br/>         4. GATE<br/>         5. DRAIN<br/>         6. DRAIN<br/>         7. DRAIN<br/>         8. DRAIN</p>   |
| <p><b>STYLE 13:</b><br/>         PIN 1. N.C.<br/>         2. SOURCE<br/>         3. SOURCE<br/>         4. GATE<br/>         5. DRAIN<br/>         6. DRAIN<br/>         7. DRAIN<br/>         8. DRAIN</p>  | <p><b>STYLE 14:</b><br/>         PIN 1. N-SOURCE<br/>         2. N-GATE<br/>         3. P-SOURCE<br/>         4. P-GATE<br/>         5. P-DRAIN<br/>         6. P-DRAIN<br/>         7. N-DRAIN<br/>         8. N-DRAIN</p>   | <p><b>STYLE 15:</b><br/>         PIN 1. ANODE 1<br/>         2. ANODE 1<br/>         3. ANODE 1<br/>         4. ANODE 1<br/>         5. CATHODE, COMMON<br/>         6. CATHODE, COMMON<br/>         7. CATHODE, COMMON<br/>         8. CATHODE, COMMON</p>               | <p><b>STYLE 16:</b><br/>         PIN 1. EMITTER, DIE #1<br/>         2. BASE, DIE #1<br/>         3. EMITTER, DIE #2<br/>         4. BASE, DIE #2<br/>         5. COLLECTOR, DIE #2<br/>         6. COLLECTOR, DIE #2<br/>         7. COLLECTOR, DIE #1<br/>         8. COLLECTOR, DIE #1</p> |
| <p><b>STYLE 17:</b><br/>         PIN 1. VCC<br/>         2. V2OUT<br/>         3. V1OUT<br/>         4. TXE<br/>         5. RXE<br/>         6. VEE<br/>         7. GND<br/>         8. ACC</p>  | <p><b>STYLE 18:</b><br/>         PIN 1. ANODE<br/>         2. ANODE<br/>         3. SOURCE<br/>         4. GATE<br/>         5. DRAIN<br/>         6. DRAIN<br/>         7. CATHODE<br/>         8. CATHODE</p>   | <p><b>STYLE 19:</b><br/>         PIN 1. SOURCE 1<br/>         2. GATE 1<br/>         3. SOURCE 2<br/>         4. GATE 2<br/>         5. DRAIN 2<br/>         6. MIRROR 2<br/>         7. DRAIN 1<br/>         8. MIRROR 1</p>   | <p><b>STYLE 20:</b><br/>         PIN 1. SOURCE (N)<br/>         2. GATE (N)<br/>         3. SOURCE (P)<br/>         4. GATE (P)<br/>         5. DRAIN<br/>         6. DRAIN<br/>         7. DRAIN<br/>         8. DRAIN</p>   |
| <p><b>STYLE 21:</b><br/>         PIN 1. CATHODE 1<br/>         2. CATHODE 2<br/>         3. CATHODE 3<br/>         4. CATHODE 4<br/>         5. CATHODE 5<br/>         6. COMMON ANODE<br/>         7. COMMON ANODE<br/>         8. CATHODE 6</p>  | <p><b>STYLE 22:</b><br/>         PIN 1. I/O LINE 1<br/>         2. COMMON CATHODE/VCC<br/>         3. COMMON CATHODE/VCC<br/>         4. I/O LINE 3<br/>         5. COMMON ANODE/GND<br/>         6. I/O LINE 4<br/>         7. I/O LINE 5<br/>         8. COMMON ANODE/GND</p> | <p><b>STYLE 23:</b><br/>         PIN 1. LINE 1 IN<br/>         2. COMMON ANODE/GND<br/>         3. COMMON ANODE/GND<br/>         4. LINE 2 IN<br/>         5. LINE 2 OUT<br/>         6. COMMON ANODE/GND<br/>         7. COMMON ANODE/GND<br/>         8. LINE 1 OUT</p> | <p><b>STYLE 24:</b><br/>         PIN 1. BASE<br/>         2. EMITTER<br/>         3. COLLECTOR/ANODE<br/>         4. COLLECTOR/ANODE<br/>         5. CATHODE<br/>         6. CATHODE<br/>         7. COLLECTOR/ANODE<br/>         8. COLLECTOR/ANODE</p>                                      |
| <p><b>STYLE 25:</b><br/>         PIN 1. VIN<br/>         2. N/C<br/>         3. REXT<br/>         4. GND<br/>         5. IOUT<br/>         6. IOUT<br/>         7. IOUT<br/>         8. IOUT</p>   | <p><b>STYLE 26:</b><br/>         PIN 1. GND<br/>         2. dv/dt<br/>         3. ENABLE<br/>         4. ILIMIT<br/>         5. SOURCE<br/>         6. SOURCE<br/>         7. SOURCE<br/>         8. VCC</p>  | <p><b>STYLE 27:</b><br/>         PIN 1. ILIMIT<br/>         2. OVLO<br/>         3. UVLO<br/>         4. INPUT+<br/>         5. SOURCE<br/>         6. SOURCE<br/>         7. SOURCE<br/>         8. DRAIN</p>  | <p><b>STYLE 28:</b><br/>         PIN 1. SW_TO_GND<br/>         2. DASIC OFF<br/>         3. DASIC_SW_DET<br/>         4. GND<br/>         5. V_MON<br/>         6. VBULK<br/>         7. VBULK<br/>         8. VIN</p>  |
| <p><b>STYLE 29:</b><br/>         PIN 1. BASE, DIE #1<br/>         2. EMITTER, #1<br/>         3. BASE, #2<br/>         4. EMITTER, #2<br/>         5. COLLECTOR, #2<br/>         6. COLLECTOR, #2<br/>         7. COLLECTOR, #1<br/>         8. COLLECTOR, #1</p>                        | <p><b>STYLE 30:</b><br/>         PIN 1. DRAIN 1<br/>         2. DRAIN 1<br/>         3. GATE 2<br/>         4. SOURCE 2<br/>         5. SOURCE 1/DRAIN 2<br/>         6. SOURCE 1/DRAIN 2<br/>         7. SOURCE 1/DRAIN 2<br/>         8. GATE 1</p>                           |   |   |

<b>DOCUMENT NUMBER:</b>	<b>98ASB42564B</b>	Electronic versions are uncontrolled except when accessed directly from the Document Repository. Printed versions are uncontrolled except when stamped "CONTROLLED COPY" in red.
<b>DESCRIPTION:</b>	<b>SOIC-8 NB</b>	<b>PAGE 2 OF 2</b>

**onsemi** and **ONSEMI** are trademarks of Semiconductor Components Industries, LLC dba **onsemi** or its subsidiaries in the United States and/or other countries. **onsemi** reserves the right to make changes without further notice to any products herein. **onsemi** makes no warranty, representation or guarantee regarding the suitability of its products for any particular purpose, nor does **onsemi** assume any liability arising out of the application or use of any product or circuit, and specifically disclaims any and all liability, including without limitation special, consequential or incidental damages. **onsemi** does not convey any license under its patent rights nor the rights of others.

**onsemi**, **Onsemi**, and other names, marks, and brands are registered and/or common law trademarks of Semiconductor Components Industries, LLC dba "**onsemi**" or its affiliates and/or subsidiaries in the United States and/or other countries. **onsemi** owns the rights to a number of patents, trademarks, copyrights, trade secrets, and other intellectual property. A listing of **onsemi**'s product/patent coverage may be accessed at [www.onsemi.com/site/pdf/Patent-Marking.pdf](http://www.onsemi.com/site/pdf/Patent-Marking.pdf). **onsemi** reserves the right to make changes at any time to any products or information herein, without notice. The information herein is provided "as-is" and **onsemi** makes no warranty, representation or guarantee regarding the accuracy of the information, product features, availability, functionality, or suitability of its products for any particular purpose, nor does **onsemi** assume any liability arising out of the application or use of any product or circuit, and specifically disclaims any and all liability, including without limitation special, consequential or incidental damages. Buyer is responsible for its products and applications using **onsemi** products, including compliance with all laws, regulations and safety requirements or standards, regardless of any support or applications information provided by **onsemi**. "Typical" parameters which may be provided in **onsemi** data sheets and/or specifications can and do vary in different applications and actual performance may vary over time. All operating parameters, including "Typicals" must be validated for each customer application by customer's technical experts. **onsemi** does not convey any license under any of its intellectual property rights nor the rights of others. **onsemi** products are not designed, intended, or authorized for use as a critical component in life support systems or any FDA Class 3 medical devices or medical devices with a same or similar classification in a foreign jurisdiction or any devices intended for implantation in the human body. Should Buyer purchase or use **onsemi** products for any such unintended or unauthorized application, Buyer shall indemnify and hold **onsemi** and its officers, employees, subsidiaries, affiliates, and distributors harmless against all claims, costs, damages, and expenses, and reasonable attorney fees arising out of, directly or indirectly, any claim of personal injury or death associated with such unintended or unauthorized use, even if such claim alleges that **onsemi** was negligent regarding the design or manufacture of the part. **onsemi** is an Equal Opportunity/Affirmative Action Employer. This literature is subject to all applicable copyright laws and is not for resale in any manner.

## ADDITIONAL INFORMATION

### TECHNICAL PUBLICATIONS:

Technical Library: [www.onsemi.com/design/resources/technical-documentation](http://www.onsemi.com/design/resources/technical-documentation)  
onsemi Website: [www.onsemi.com](http://www.onsemi.com)

### ONLINE SUPPORT: [www.onsemi.com/support](http://www.onsemi.com/support)

For additional information, please contact your local Sales Representative at [www.onsemi.com/support/sales](http://www.onsemi.com/support/sales)