

# NCP346

## Overvoltage Protection IC

The NCP346 Overvoltage Protection circuit (OVP) protects sensitive electronic circuitry from overvoltage transients and power supply faults when used in conjunction with an external P-channel FET. The device is designed to sense an overvoltage condition and quickly disconnect the input voltage supply from the load before any damage can occur. The OVP consists of a precise voltage reference, a comparator with hysteresis, control logic, and a MOSFET gate driver. The OVP is designed on a robust BiCMOS process and is intended to withstand voltage transients up to 30 V.

The device is optimized for applications that have an external AC/DC adapter or car accessory charger to power the product and/or recharge the internal batteries. The nominal overvoltage thresholds are 4.45 and 5.5 V and can be adjusted upward with a resistor divider between the V<sub>CC</sub>, IN, and GND pins. It is suitable for single cell Li-Ion applications as well as 3/4 cell NiCD/NiMH applications.

### Features

- Overvoltage Turn-Off Time of Less Than 1.0 μsec
- Accurate Voltage Threshold of 4.45 V and 5.5 V (Nominal)
- CNTRL Input Compatible with 1.8 V Logic Levels
- These are Pb-Free Devices

### Typical Applications

- Cellular Phones
- Digital Cameras
- Portable Computers and PDAs
- Portable CD and other Consumer Electronics



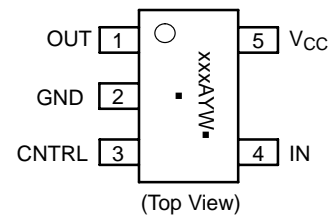
**ON Semiconductor®**

<http://onsemi.com>



**THIN SOT-23-5  
SN SUFFIX  
CASE 483**

### PIN CONNECTIONS & MARKING DIAGRAM



xxx = SQZ for NCP346SN1  
= SRD for NCP346SN2

A = Assembly Location

Y = Year

W = Work Week

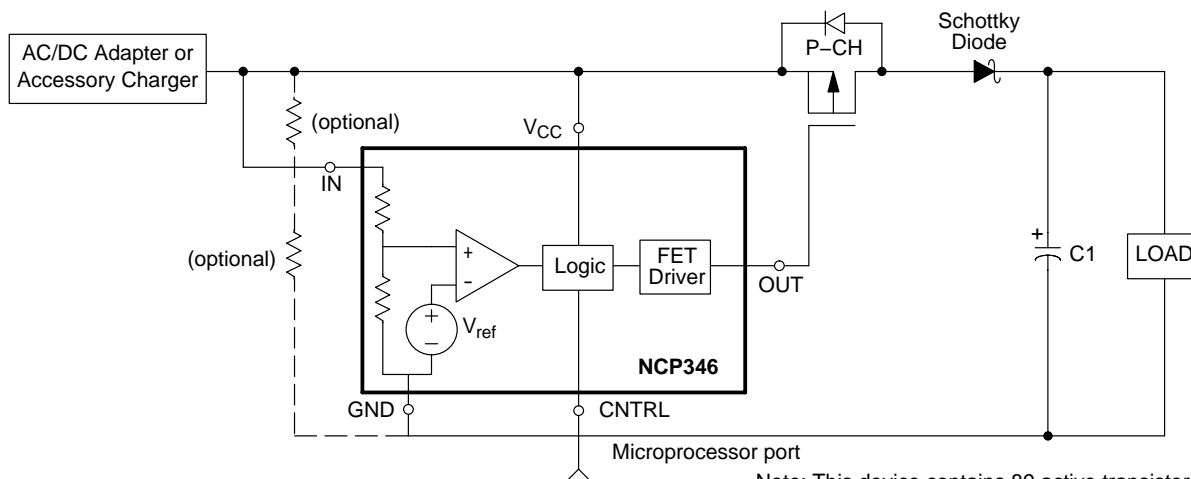
▪ = Pb-Free Package

(Note: Microdot may be in either location)

### ORDERING INFORMATION

Device	Package	Shipping†
NCP346SN1T1G	SOT-23-5 (Pb-Free)	3000 / Tape & Reel (7 inch Reel)
NCP346SN2T1G		

†For information on tape and reel specifications, including part orientation and tape sizes, please refer to our Tape and Reel Packaging Specifications Brochure, BRD8011/D.



Note: This device contains 89 active transistors

**Figure 1. Simplified Application Diagram**

# NCP346

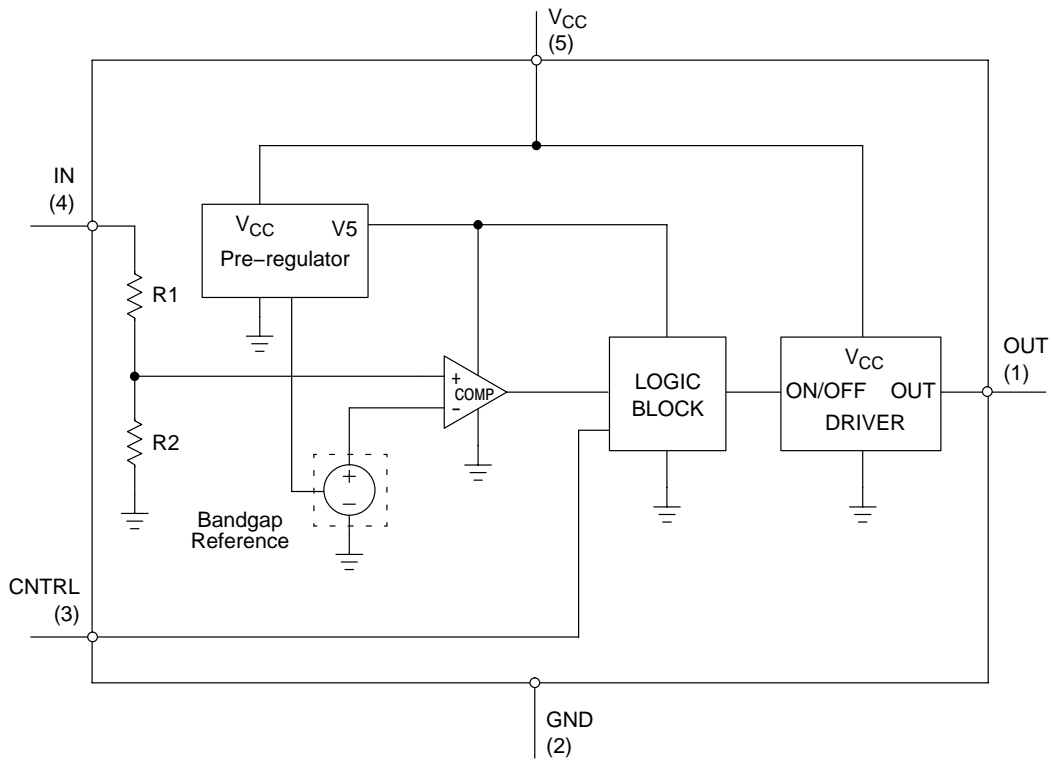


Figure 2. Detailed Block Diagram

## PIN FUNCTION DESCRIPTIONS

Pin #	Symbol	Pin Description
1	OUT	This signal drives the gate of a P-channel MOSFET. It is controlled by the voltage level on IN or the logic state of the CNTRL input. When an overvoltage event is detected, the OUT pin is driven to within 1.0 V of $V_{CC}$ in less than 1.0 $\mu$ sec provided that gate and stray capacitance is less than 12 nF.
2	GND	Circuit Ground
3	CNTRL	This logic signal is used to control the state of OUT and turn-on/off the P-channel MOSFET. A logic High results in the OUT signal being driven to within 1.0 V of $V_{CC}$ which disconnects the FET. The input is tied Low via an internal 50 k $\Omega$ pull-down resistor. It is recommended that the input be connected to GND if it is not used.
4	IN	This pin senses an external voltage point. If the voltage on this input rises above the overvoltage threshold ( $V_{th}$ ), the OUT pin will be driven to within 1.0 V of $V_{CC}$ , thus disconnecting the FET. The nominal threshold level can be increased with the addition of an external resistor divider between IN, $V_{CC}$ , and GND.
5	$V_{CC}$	Positive Voltage supply. OUT is guaranteed to be in low state (MOSFET ON) as long as $V_{CC}$ remains above 2.5 V, and below the overvoltage threshold.

## TRUTH TABLE

IN	CNTRL	OUT
$<V_{th}$	L	GND
$<V_{th}$	H	$V_{CC}$
$>V_{th}$	L	$V_{CC}$
$>V_{th}$	H	$V_{CC}$

# NCP346

## MAXIMUM RATINGS (T<sub>A</sub> = 25°C unless otherwise noted.)

Rating	Pin	Symbol	Min	Max	Unit
OUT Voltage to GND	1	V <sub>O</sub>	-0.3	30	V
Input and CNTRL Pin Voltage to GND	4	V <sub>input</sub>	-0.3	30	V
	3	V <sub>CNTRL</sub>	-0.3	13	V
Input Pin Voltage to V <sub>CC</sub>	4, 5	V(V <sub>CC</sub> , IN)	-0.3	15	V
V <sub>CC</sub> Maximum Range	5	V <sub>CC(max)</sub>	-0.3	30	V
Maximum Power Dissipation at T <sub>A</sub> = 85°C	-	P <sub>D</sub>	-	0.216	W
Thermal Resistance, Junction-to-Air	-	R <sub>θJA</sub>	-	300	°C/W
Junction Temperature	-	T <sub>J</sub>	-	150	°C
Operating Ambient Temperature	-	T <sub>A</sub>	-40	85	°C
V <sub>CNTRL</sub> Operating Voltage	3	-	0	5.0	V
Storage Temperature Range	-	T <sub>stg</sub>	-65	150	°C

Stresses exceeding Maximum Ratings may damage the device. Maximum Ratings are stress ratings only. Functional operation above the Recommended Operating Conditions is not implied. Extended exposure to stresses above the Recommended Operating Conditions may affect device reliability.

## ATTRIBUTES

Characteristic	Value
ESD Protection Human Body Model (HBM) per JEDEC Standard JESD22-A114 Machine Model (MM) per JEDEC Standard JESD22-A114	≤ 2.5 kV ≤ 250 V
Moisture Sensitivity, Indefinite Time Out of Drypack (Note 1)	Level 1
Transistor Count	89
Latchup Current Maximum Rating per JEDEC Standard EIA/JESD78	≤ 150 mA

1. For additional Moisture Sensitivity information, refer to Application Note AND8003/D.

# NCP346

## ELECTRICAL CHARACTERISTICS (NCP346SN1T1)

(For typical values  $T_A = 25^\circ\text{C}$ , for min/max values  $T_A = -40^\circ\text{C}$  to  $+85^\circ\text{C}$  unless otherwise noted.)

Characteristic	Pin	Symbol	Min	Typ	Max	Unit
$V_{CC}$ Operating Voltage Range	5	$V_{CC(opt)}$	2.5	–	25	V
Total Supply Current (IN Connected to $V_{CC}$ ; ON Mode, $V_{CC} = 4.0\text{ V}$ , CNTRL Pin Floating, Steady State)	4,5	$I_{cc\ on}$	–	650	1200	$\mu\text{A}$
Total Supply Current (IN Connected to $V_{CC}$ ; OFF Mode Driven by CNTRL Pin, $V_{CC} = 4.0\text{ V}$ , $V_{CNTRL} = 1.5\text{ V}$ , Steady State)	4,5	$I_{cc\ off\ CNTRL}$	–	700	1200	$\mu\text{A}$
Total Supply Current (IN Connected to $V_{CC}$ ; OFF Mode Driven by Overvoltage, $V_{CC} = 5.0\text{ V}$ , CNTRL Pin Floating, Steady State)	4,5	$I_{cc\ off\ IN}$	–	750	1200	$\mu\text{A}$
Input Threshold (IN Connected to $V_{CC}$ ; $V_{CC}$ Increasing)	4	$V_{th}\ (LH)$	4.3	4.45	4.6	V
Input Threshold (IN Connected to $V_{CC}$ ; $V_{CC}$ Decreasing)	4	$V_{th}\ (HL)$	4.3	4.4	4.6	V
Input Hysteresis (IN Connected to $V_{CC}$ )	4	$V_{hyst}$	–	50	–	mV
Input Impedance of IN Pin	4	$R_{in}$	30	55	85	$\text{k}\Omega$
CNTRL Voltage High	3	$V_{IH}$	1.5	–	–	V
CNTRL Voltage Low	3	$V_{IL}$	–	–	0.5	V
CNTRL Current High ( $V_{ih} = 5.0\text{ V}$ )	3	$I_{IH}$	–	90	200	$\mu\text{A}$
CNTRL Current Low ( $V_{il} = 0.5\text{ V}$ )	3	$I_{IL}$	–	9.0	20	$\mu\text{A}$
Output Voltage High (IN Connected to $V_{CC}$ , $V_{CC} = 5.0\text{ V}$ ) $I_{source} = 10\text{ mA}$ $I_{source} = 0.25\text{ mA}$ $I_{source} = 0\text{ mA}$	1	$V_{oh}$	$V_{CC} - 1.0$ $V_{CC} - 0.25$ $V_{CC} - 0.1$	–	–	V
Output Voltage Low (IN Connected to $V_{CC}$ , $V_{CC} = 4.0\text{ V}$ , CNTRL Pin Floating) $I_{sink} = 0\text{ mA}$	1	$V_{ol}$	–	–	0.1	V
Output Sink Current (IN Connected to $V_{CC}$ , $V_{CC} = 4.0\text{ V}$ , CNTRL Pin Floating, $V_{OUT} = 1.0\text{ V}$ )	1	$I_{sink}$	4.0	10	16	$\mu\text{A}$
Turn ON Delay – Input (IN Connected to $V_{CC}$ ; $V_{CC}$ Steps Down from 5.0 V to 4.0 V, $C_{load} = 12\text{ nF}$ , Measured to $V_{out} < 1.0\text{ V}$ )	1	$t_{on\ IN}$	–	1.8	3.5	msec
Turn OFF Delay – Input (IN Connected to $V_{CC}$ ; $V_{CC}$ Steps Up from 4.0 V to 5.0 V, $C_{load} = 12\text{ nF}$ , Measured to $V_{OUT} > V_{CC} - 1.0\text{ V}$ )	1	$t_{off\ IN}$	–	0.6	1.0	$\mu\text{sec}$
Turn OFF Delay – CNTRL (IN Connected to $V_{CC}$ ; $V_{CC} = 4.0\text{ V}$ , $V_{CNTRL}$ Steps from 0.5 V to 2.0 V, $C_{load} = 12\text{ nF}$ , Measured to $V_{OUT} > V_{CC} - 1.0\text{ V}$ )	1	$t_{off\ CNTRL}$	–	0.5	1.0	$\mu\text{sec}$

# NCP346

## ELECTRICAL CHARACTERISTICS (NCP346SN2T1)

(For typical values  $T_A = 25^\circ\text{C}$ , for min/max values  $T_A = -40^\circ\text{C}$  to  $+85^\circ\text{C}$  unless otherwise noted.)

Characteristic	Pin	Symbol	Min	Typ	Max	Unit
$V_{CC}$ Operating Voltage Range	5	$V_{CC(opt)}$	2.5	–	25	V
Total Supply Current (IN Connected to $V_{CC}$ ; ON Mode, $V_{CC} = 5.0\text{ V}$ , CNTRL Pin Floating, Steady State)	4, 5	$I_{cc\ on}$	–	650	1200	$\mu\text{A}$
Total Supply Current (IN Connected to $V_{CC}$ ; OFF Mode Driven by CNTRL Pin, $V_{CC} = 5.0\text{ V}$ , $V_{CNTRL} = 1.5\text{ V}$ , Steady State)	4, 5	$I_{cc\ off\ CNTRL}$	–	700	1200	$\mu\text{A}$
Total Supply Current (IN Connected to $V_{CC}$ ; OFF Mode Driven by Overvoltage, $V_{CC} = 6.0\text{ V}$ , CNTRL Pin Floating, Steady State)	4, 5	$I_{cc\ off\ IN}$	–	750	1200	$\mu\text{A}$
Input Threshold (IN Connected to $V_{CC}$ ; $V_{CC}$ Increasing)	4	$V_{th\ (LH)}$	5.3	5.5	5.7	V
Input Threshold (IN Connected to $V_{CC}$ ; $V_{CC}$ Decreasing)	4	$V_{th\ (HL)}$	5.3	5.45	5.7	V
Input Hysteresis (IN Connected to $V_{CC}$ )	4	$V_{hyst}$	–	50	–	mV
Input Impedance of IN Pin	4	$R_{in}$	30	60	100	$\text{k}\Omega$
CNTRL Voltage High	3	$V_{IH}$	1.5	–	–	V
CNTRL Voltage Low	3	$V_{IL}$	–	–	0.5	V
CNTRL Current High ( $V_{ih} = 5.0\text{ V}$ )	3	$I_{IH}$	–	95	200	$\mu\text{A}$
CNTRL Current Low ( $V_{il} = 0.5\text{ V}$ )	3	$I_{IL}$	–	9.0	20	$\mu\text{A}$
Output Voltage High (IN Connected to $V_{CC}$ , $V_{CC} = 6.0\text{ V}$ ) $I_{source} = 10\text{ mA}$ $I_{source} = 0.25\text{ mA}$ $I_{source} = 0\text{ mA}$	1	$V_{oh}$	$V_{CC} - 1.0$ $V_{CC} - 0.25$ $V_{CC} - 0.1$	–	–	V
Output Voltage Low (IN Connected to $V_{CC}$ , $V_{CC} = 5.0\text{ V}$ , CNTRL Pin Floating) $I_{sink} = 0\text{ mA}$	1	$V_{ol}$	–	–	0.1	V
Output Sink Current (IN Connected to $V_{CC}$ , $V_{CC} = 5.0\text{ V}$ , CNTRL Pin Floating, $V_{OUT} = 1.0\text{ V}$ )	1	$I_{sink}$	4.0	10	16	$\mu\text{A}$
Turn ON Delay – Input (IN Connected to $V_{CC}$ ; $V_{CC}$ Steps Down from 6.0 V to 5.0 V, $C_{load} = 12\text{ nF}$ , Measured to $V_{out} < 1.0\text{ V}$ )	1	$t_{on\ IN}$	–	1.8	4.5	msec
Turn OFF Delay – Input (IN Connected to $V_{CC}$ ; $V_{CC}$ Steps Up from 5.0 V to 6.0 V, $C_{load} = 12\text{ nF}$ , Measured to $V_{OUT} > V_{CC} - 1.0\text{ V}$ )	1	$t_{off\ IN}$	–	0.5	1.0	$\mu\text{sec}$
Turn OFF Delay – CNTRL ( $V_{CNTRL}$ Steps Up from 0.5 V to 2.0 V, $V_{CC} = 5.0\text{ V}$ , $C_{load} = 12\text{ nF}$ , Measured to $V_{OUT} > V_{CC} - 1.0\text{ V}$ )	1	$t_{off\ ICNTRL}$	–	0.6	1.0	$\mu\text{sec}$

## APPLICATION INFORMATION

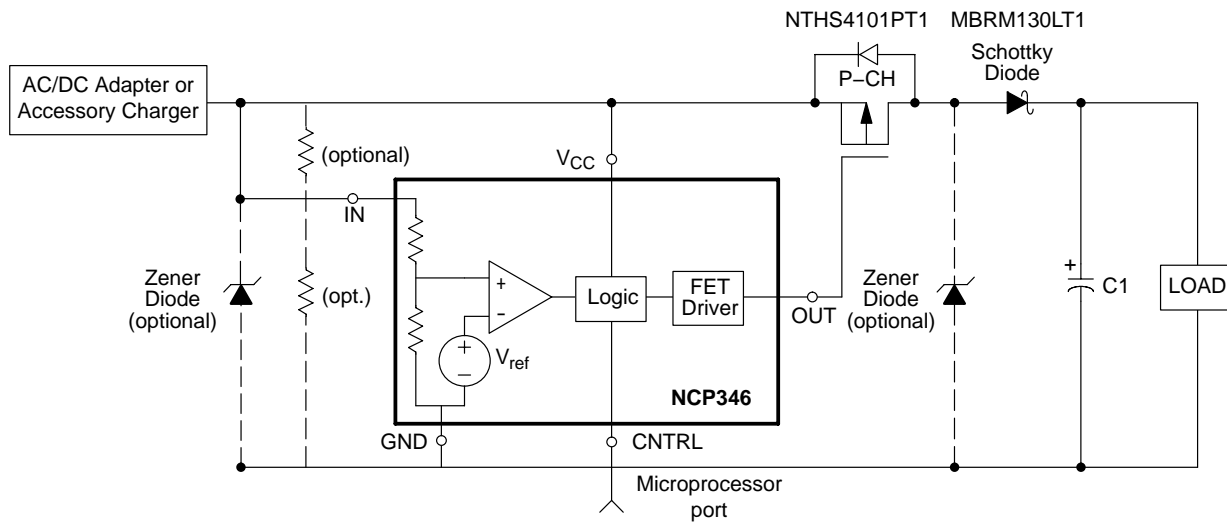


Figure 3.

## Introduction

In many electronic products, an external AC/DC wall adapter is used to convert the AC line voltage into a regulated DC voltage or a current limited source. Line surges or faults in the adapter may result in overvoltage events that can damage sensitive electronic components within the product. This is becoming more critical as the operating voltages of many integrated circuits have been lowered due to advances in sub-micron silicon lithography. In addition, portable products with removable battery packs pose special problems since the pack can be removed at any time. If the user removes a pack in the middle of charging, a large transient voltage spike can occur which can damage the product. Finally, damage can result if the user plugs in the wrong adapter into the charging jack. The challenge of the product designer is to improve the robustness of the design and avoid situations where the product can be damaged due to unexpected, but unfortunately, likely events that will occur as the product is used.

## Circuit Overview

To address these problems, the protection system above has been developed consisting of the NCP346 Overvoltage Protection IC and a P-channel MOSFET switch such as the MGSF3441. The NCP346 monitors the input voltage and will not turn on the MOSFET unless the input voltage is within a safe operating window that has an upper limit of the overvoltage detection threshold. A Zener diode can be placed in parallel to the load to provide for secondary protection during the brief time that it takes for the NCP346 to detect the overvoltage fault and disconnect the MOSFET. The decision to use this secondary diode is a function of the charging currents expected, load capacitance across the battery, and the desired protection voltage by analyzing the

dV/dT rise that occurs during the brief time it takes to turn-off the MOSFET. For battery powered applications, a low-forward voltage Schottky diode such as the MBRM120LT3 can be placed in series with the MOSFET to block the body diode of the MOSFET and prevent shorting the battery out if the input is accidentally shorted to ground. This provides additional voltage margin at the load since there is a small forward drop across this diode that reduces the voltage at the load.

When the protection circuit turns off the MOSFET, there can be a sudden rise in the input voltage of the device. This transient can be quite large depending on the impedance of the supply and the current being drawn from the supply at the time of an overvoltage event. This inductive spike can be clamped with a Zener diode from IN to ground. This diode breakdown voltage should be well above the worst case supply voltage provided from the AC/DC adapter or Cigarette Lighter Adapter (CLA), since the Zener is only intended to clamp the transient. The NCP346 is designed so that the IN and V<sub>CC</sub> pin can safely protect up to 25 V and withstand transients to 30 V. Since these spikes can be very narrow in duration, it is important to use a high bandwidth probe and oscilloscope when prototyping the product to verify the operation of the circuit under all the transient conditions. A similar problem can result due to contact bounce as the DC source is plugged into the product.

For portable products it is normal to have a capacitor to ground in parallel with the battery. If the product has a battery pack that is easily removable during charging, this scenario should be analyzed. Under that situation, the charging current will go into the capacitor and the voltage may rise rapidly depending on the capacitor value, the charging current and the power supply response time.

**Normal Operation**

Figure 1 illustrates a typical configuration. The external adapter provides power to the protection system so the circuitry is only active when the adapter is connected. The OVP monitors the voltage from the charger and if the voltage exceeds the overvoltage threshold,  $V_{th}$ , the OUT signal drives the gate of the MOSFET to within 1.0 V of  $V_{CC}$ , thus turning off the FET and disconnecting the source from the load. The nominal time it takes to drive the gate to this state is 400 nsec (1.0  $\mu$ sec maximum for gate capacitance of < 12 nF). The CNTRL input can be used to interrupt charging and allow the microcontroller to measure the cell voltage under a normal condition to get a more accurate measure of the battery voltage. Once the overvoltage is removed, the NCP346 will turn on the MOSFET. The turn on circuitry is designed to turn on the MOSFET more gradually to limit the in-rush current. This characteristic is a function of the threshold of the MOSFET and will vary depending on the device characteristics such as the gate capacitance.

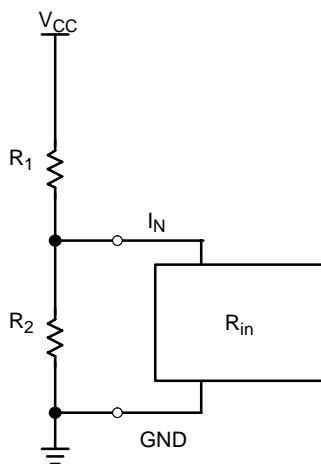
There are two events that will cause the OVP to drive the gate of the FET to a HIGH state.

- Voltage on IN Rises Above the Overvoltage Detection Threshold
- CNTRL Input is Driven to a Logic HIGH

**Adjusting the Overvoltage Detection Point with External Resistors**

The separate IN and  $V_{CC}$  pins allow the user to adjust the overvoltage threshold,  $V_{th}$ , upwards by adding a resistor divider with the tap at the IN pin. However,  $R_{in}$  does play a significant role in the calculation since it is several 10's of k $\Omega$ . The following equation shows the effects of  $R_{in}$ .

$$V_{CC} = V_x(1 + R_1/(R_2//R_{in})) \tag{eq. 1}$$



**Figure 4. Voltage divider input to adjust overvoltage detection point**

which equates to:

$$V_{CC} = V_x(1 + R_1/R_2 + R_1/R_{in}) \tag{eq. 2}$$

So, as  $R_{in}$  approaches infinity:

$$V_{CC} = V_x(1 + R_1/R_2) \tag{eq. 3}$$

This shows that  $R_{in}$  shifts the  $V_{th}$  detection point in accordance to the ratio of  $R_1 / R_{in}$ . However, if  $R_1 \ll R_{in}$ , this shift can be minimized. The following steps show this procedure.

**Designing around the Maximum Voltage Rating Requirements,  $V(V_{CC}, IN)$**

The NCP346's maximum breakdown voltage between pins  $V_{CC}$  and IN is 15 V. Therefore, care must be taken that the design does not exceed this voltage. Normally, the designer shorts  $V_{CC}$  to IN,  $V(V_{CC}, IN)$  is shorted to 0 V, so there is no issue. However, one must take care when adjusting the overvoltage threshold.

In Figure 4, the R1 resistor of the voltage divider divides the  $V(V_{CC}, IN)$  voltage to a given voltage threshold equal to:

$$(V_{CC}, IN) = V_{CC} * (R_1/(R_1 + (R_2//R_{in}))) \tag{eq. 4}$$

$V(V_{CC}, IN)$  worst case equals 15 V, and  $V_{CC}$  worst case equals 30 V, therefore, one must ensure that:

$$R_1/(R_1 + (R_2//R_{in})) < 0.5 \tag{eq. 5}$$

Where  $0.5 = V(V_{CC}, IN)_{max}/V_{CCmax}$

Therefore, the NCP346 should only be adjusted to maximum overvoltage thresholds which are less than 15 V. If greater thresholds are desired than can be accommodated by the NCP346, ON Semiconductor offers the NCP345 which can withstand those voltages.

## Design Steps for Adjusting the Overvoltage Threshold

1. Use Typical  $R_{in}$ , and  $V_{th}$  Values from the Electrical Specifications
2. Minimize  $R_{in}$  Effect by Selecting  $R_1 \ll R_{in}$  since:  

$$V_{OV} = V_{th}(1 + R_1/R_2 + R_1/R_{in}). \quad (\text{eq. 6})$$
3. Let  $X = R_{in} / R_1 = 100$ .
4. Identify Required Nominal Overvoltage Threshold.
5. Calculate nominal  $R_1$  and  $R_2$  from Nominal Values:  

$$R_1 = R_{in}/X \quad (\text{eq. 7})$$

$$R_2 = \frac{R_1}{(V_{OV}/V_{th} - R_1/R_{in} - 1)} \quad (\text{eq. 8})$$
6. Pick Standard Resistor Values as Close as Possible to these Values
7. Use min/max Data and Resistor Tolerances to Determine Overvoltage Detection Tolerance:  

$$V_{OVmin} = V_{thmin}(1 + R_{1min}/R_{2max} + R_{1min}/R_{inmax}) \quad (\text{eq. 9})$$

$$V_{OVtyp} = V_{thtyp}(1 + R_{1typ}/R_{2typ} + R_{1typ}/R_{intyp}) \quad (\text{eq. 10})$$

$$V_{OVmax} = V_{thmax}(1 + R_{1min}/R_{2max} + R_{1max}/R_{inmin}) \quad (\text{eq. 11})$$

The specification takes into account the hysteresis of the comparator, so the minimum input threshold voltage ( $V_{th}$ ) is the falling voltage detection point and the maximum is the rising voltage detection point. One should design the input supply such that its maximum supply voltage in normal operation is less than the minimum desired overvoltage threshold.

8. Use worst case resistor tolerances to determine the maximum  $V(V_{CC}, IN)$

$$V(V_{CC}, IN)_{min} = V_{CCmax} * (R_{1min}/(R_{1min} + R_{2max})) \quad (\text{eq. 12})$$

$$V(V_{CC}, IN)_{typ} = V_{CCmax} * (R_{1typ}/(R_{1typ} + R_{2typ})) \quad (\text{eq. 13})$$

$$V(V_{CC}, IN)_{max} = V_{CCmax} * (R_{1max}/(R_{1max} + R_{2min})) \quad (\text{eq. 14})$$

This is shown empirically in Tables 2 through 4.

The following tables show an example of obtaining a 6 V detection voltage from the NCP346SN2T2, which has a typical  $V_{th}$  of 5.5 V.



# NCP346

**Table 1. Design Steps 1–5**

Parameter	Typical	Design Steps
IN Pin Input Impedance ( $I_N$ )	54000	(1)
Input Threshold ( $V_{th}$ )	5.5	(1)
Ratio of $R_{in}$ to $R_1$ (X)	100	(2, 3)
Desired Overvoltage Threshold ( $V_{OV}$ )	6	(4)
$R_1$	540	(5)
$R_2$	6674	(5)

**Table 2. Design Steps 6–7 with 1% Resistors**

1% Resistors

Parameter	Min	Typical	Max	Design Steps
$R_1$	543.51	549	554.49	(6)
$R_2$	6583.5	6650	6716.5	(6)
$V_{th}$	5.3	5.5	5.7	(6)
$R_{in}$	30000	54000	100000	(6)
$V_{OV}$	5.76	6.01	6.29	(7)
$V(V_{CC}, IN) @ V_{CCmax}$	2.25	2.29	2.33	(8)

**Table 3. Design Steps 6–7 with 5% Resistors**

5% Resistors

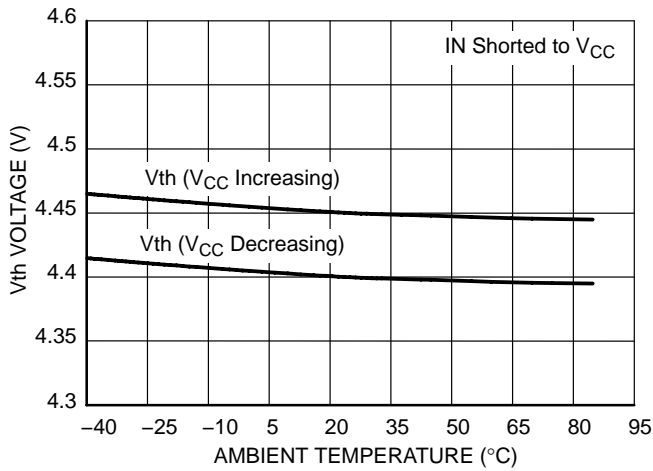
Parameter	Min	Typ	Max	Design Steps
$R_1$	532	560	588	(6)
$R_2$	6460	6800	7140	(6)
$V_{th}$	5.3	5.5	5.7	(6)
$R_{in}$	30000	54000	100000	(6)
$V_{OV}$	5.72	6.01	6.33	(7)
$V(V_{CC}, IN) @ V_{CCmax}$	2.08	2.28	2.50	(8)

**Table 4. Design Steps 6–7 with 10% Resistors**

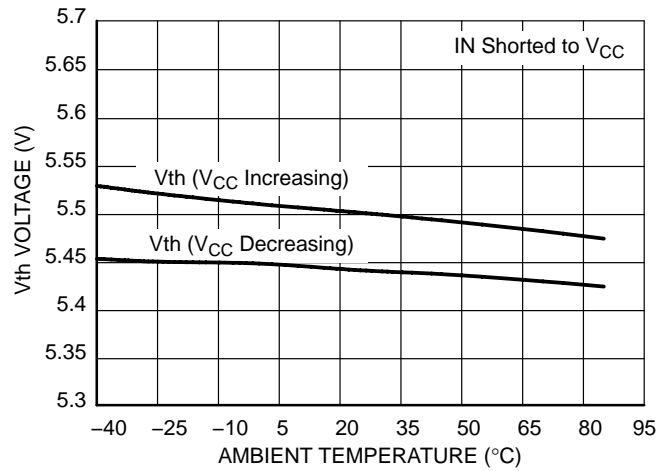
10% Resistors

Parameter	Min	Typ	Max	Design Steps
$R_1$	504	560	616	(6)
$R_2$	6120	6800	7480	(6)
$V_{th}$	5.3	5.5	5.7	(6)
$R_{in}$	30000	54000	100000	(6)
$V_{OV}$	5.68	6.01	6.39	(7)
$V(V_{CC}, IN) @ V_{CCmax}$	1.89	2.28	2.74	(8)

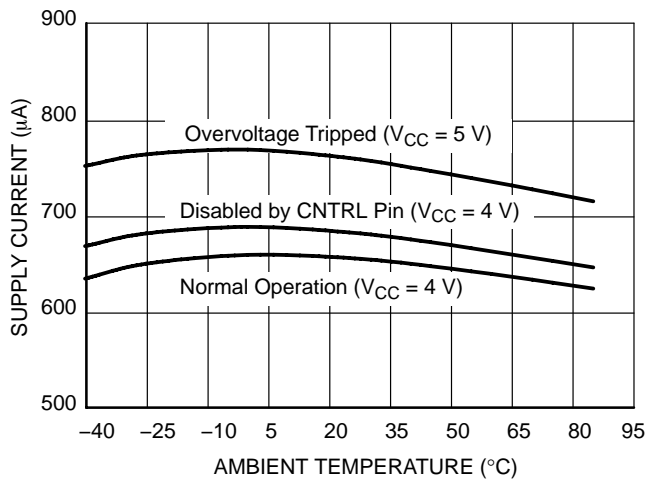
# NCP346



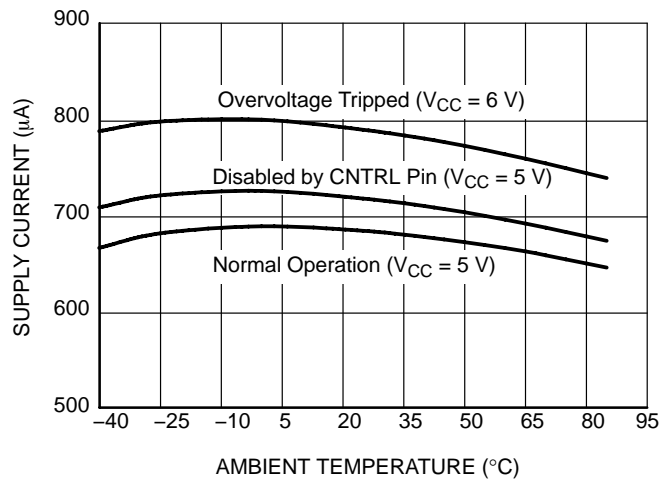
**Figure 5. Typical  $V_{th}$  Variation vs. Temperature (NCP346SN1)**



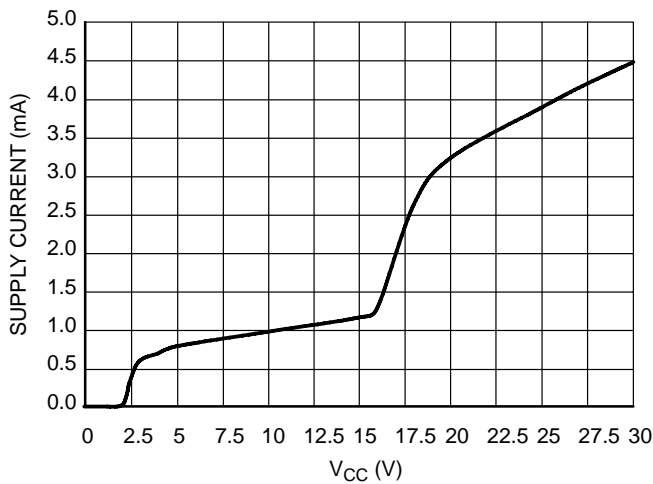
**Figure 6. Typical  $V_{th}$  Variation vs. Temperature (NCP346SN2)**



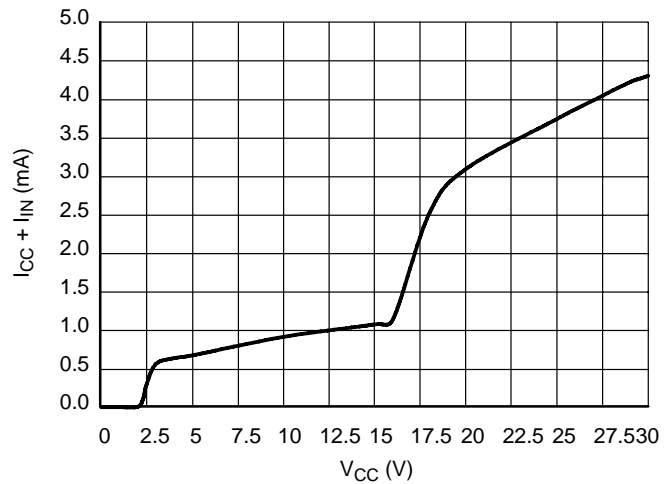
**Figure 7. Typical Supply Current ( $I_{CC} + I_{IN}$ ) vs. Temperature (NCP346SN1)**



**Figure 8. Typical Supply Current ( $I_{CC} + I_{IN}$ ) vs. Temperature (NCP346SN2)**

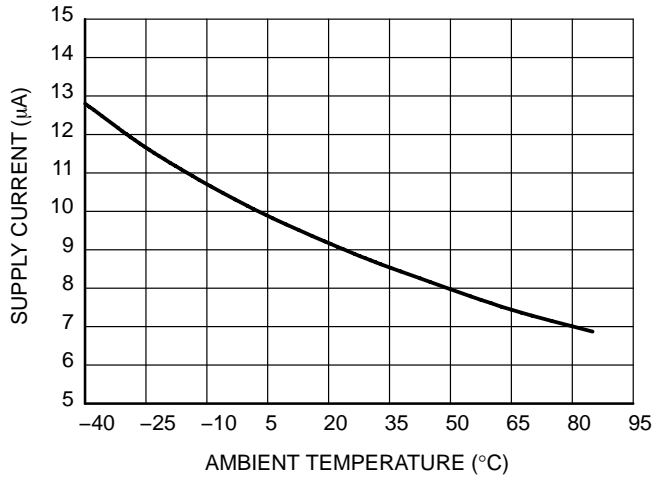


**Figure 9. Total Supply Current vs.  $V_{CC}$  (NCP346SN1)**

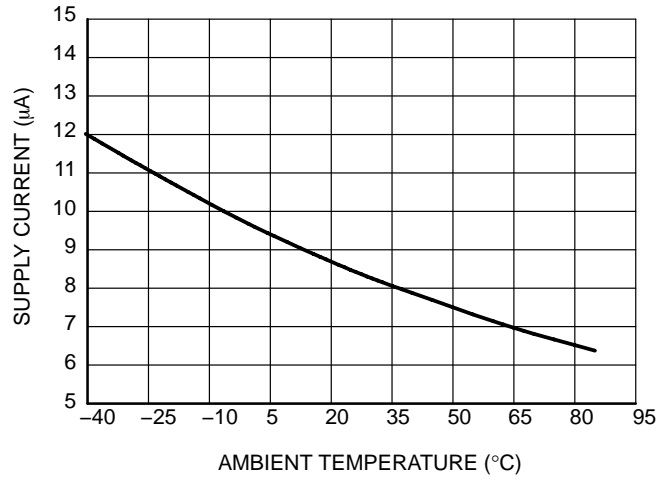


**Figure 10. Total Supply Current vs.  $V_{CC}$  (NCP346SN2)**

# NCP346



**Figure 11. Typical OUT Sink Current vs. Temperature (NCP346SN1)**



**Figure 12. Typical OUT Sink Current vs. Temperature (NCP346SN2)**

# NCP346

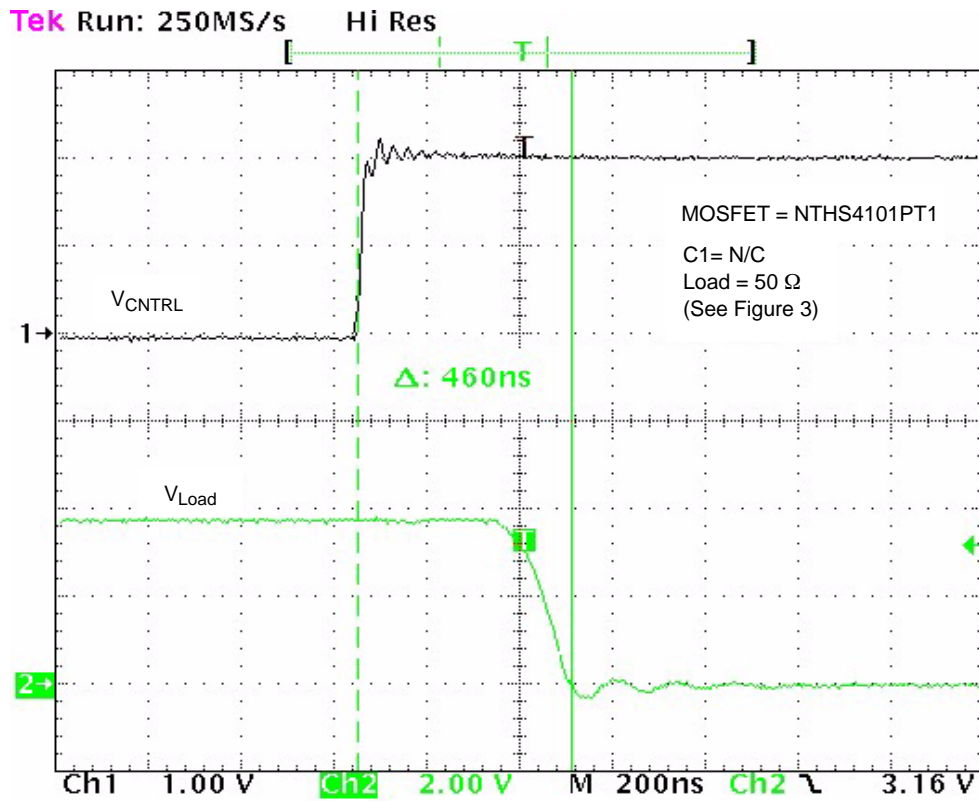


Figure 13. Typical Turn-off Time CNTRL (NCP346SN1)

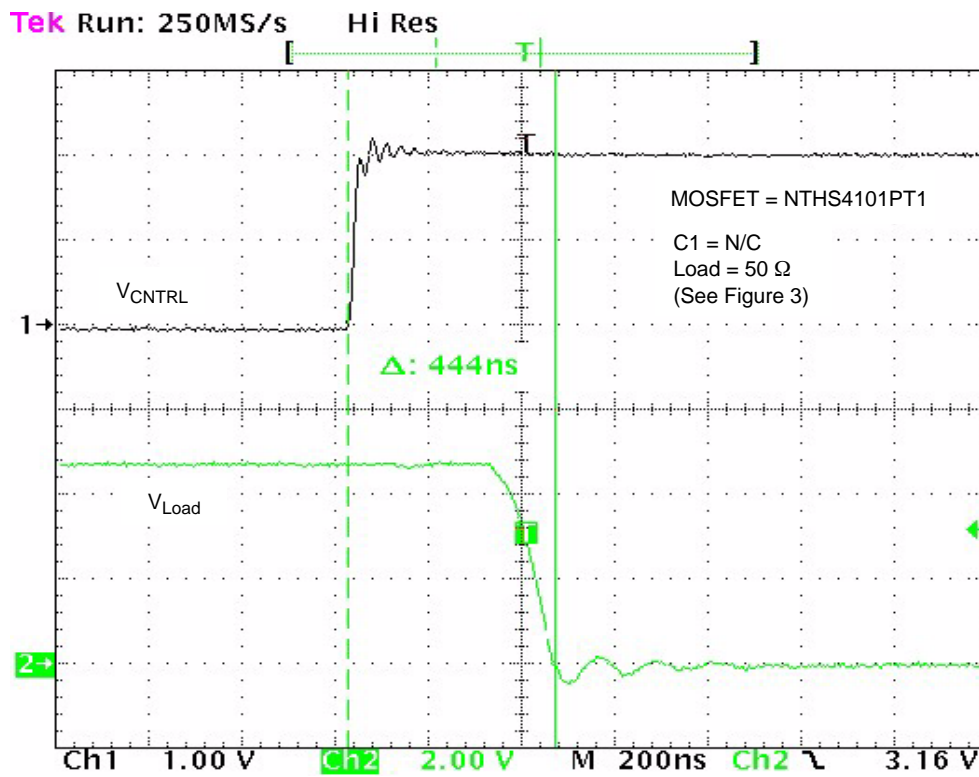


Figure 14. Typical Turn-off Time CNTRL (NCP346SN2)

# NCP346

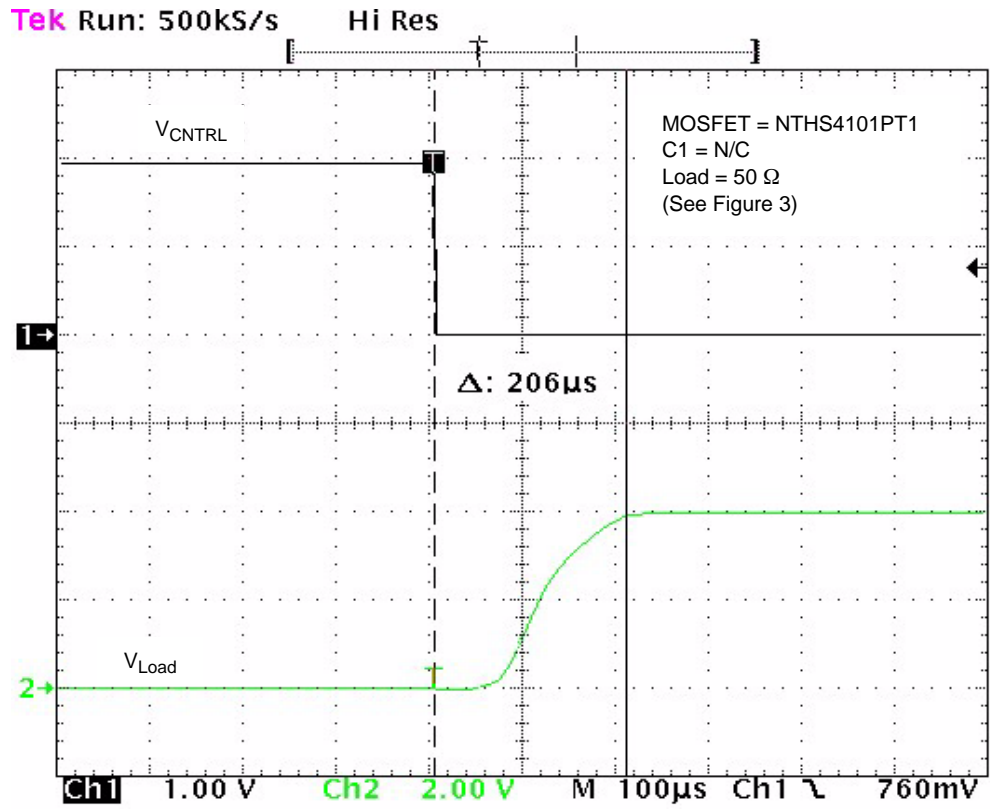


Figure 15. Typical Turn-on Time CNTRL (NCP346SN1)

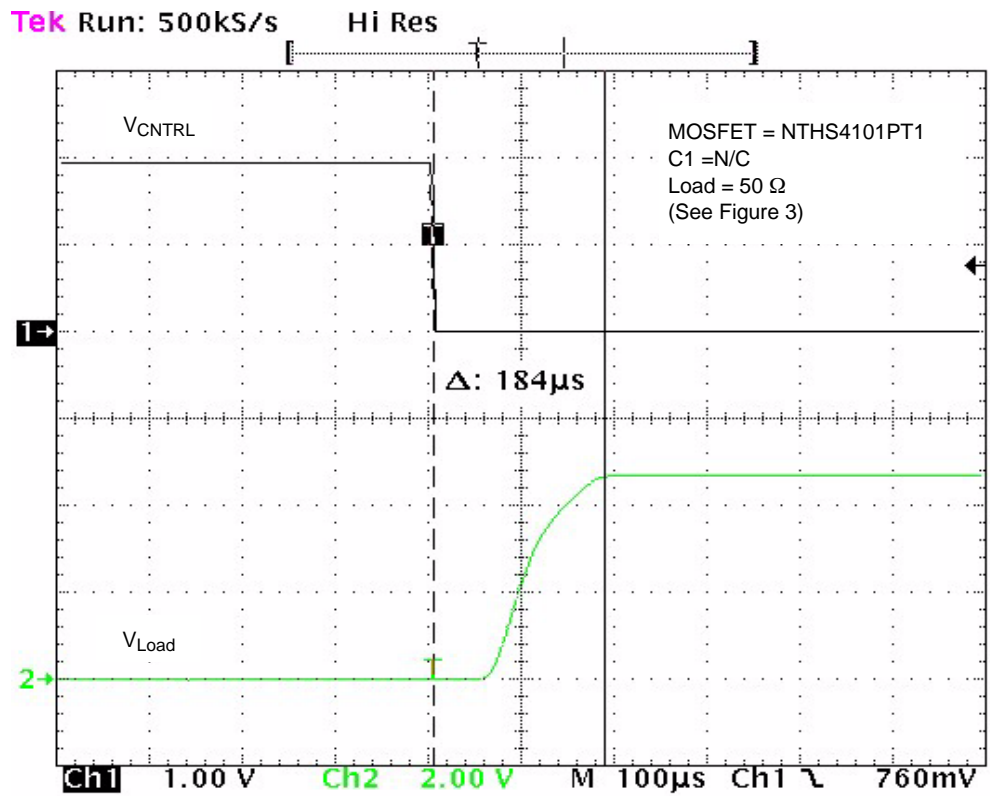


Figure 16. Typical Turn-on Time CNTRL (NCP346SN2)

# NCP346

## THIN SOT-23-5 POWER DISSIPATION

The power dissipation of the Thin SOT-23-5 is a function of the pad size. This can vary from the minimum pad size for soldering to a pad size given for maximum power dissipation. Power dissipation for a surface mount device is determined by  $T_{J(max)}$ , the maximum rated junction temperature of the die,  $R_{\theta JA}$ , the thermal resistance from the device junction to ambient, and the operating temperature,  $T_A$ . Using the values provided on the data sheet for the Thin SOT-23-5 package,  $P_D$  can be calculated as follows:

$$P_D = \frac{T_{J(max)} - T_A}{R_{\theta JA}}$$

The values for the equation are found in the maximum ratings table on the data sheet. Substituting these values into the equation for an ambient temperature  $T_A$  of 25°C, one can calculate the power dissipation of the device which in this case is 400 milliwatts.

$$P_D = \frac{150^\circ\text{C} - 25^\circ\text{C}}{300^\circ\text{C/W}} = 417 \text{ milliwatts}$$

The 300°C/W for the Thin SOT-23-5 package assumes the use of the recommended footprint on a glass epoxy printed circuit board to achieve a power dissipation of 417mw.

# MECHANICAL CASE OUTLINE

## PACKAGE DIMENSIONS

ON Semiconductor®



SCALE 2:1

### TSOP-5 CASE 483 ISSUE N

DATE 12 AUG 2020



NOTES:

1. DIMENSIONING AND TOLERANCING PER ASME Y14.5M, 1994.
2. CONTROLLING DIMENSION: MILLIMETERS.
3. MAXIMUM LEAD THICKNESS INCLUDES LEAD FINISH THICKNESS. MINIMUM LEAD THICKNESS IS THE MINIMUM THICKNESS OF BASE MATERIAL.
4. DIMENSIONS A AND B DO NOT INCLUDE MOLD FLASH, PROTRUSIONS, OR GATE BURRS. MOLD FLASH, PROTRUSIONS, OR GATE BURRS SHALL NOT EXCEED 0.15 PER SIDE. DIMENSION A.
5. OPTIONAL CONSTRUCTION: AN ADDITIONAL TRIMMED LEAD IS ALLOWED IN THIS LOCATION. TRIMMED LEAD NOT TO EXTEND MORE THAN 0.2 FROM BODY.

DIM	MILLIMETERS	
	MIN	MAX
A	2.85	3.15
B	1.35	1.65
C	0.90	1.10
D	0.25	0.50
G	0.95 BSC	
H	0.01	0.10
J	0.10	0.26
K	0.20	0.60
M	0°	10°
S	2.50	3.00

#### SOLDERING FOOTPRINT\*



\*For additional information on our Pb-Free strategy and soldering details, please download the ON Semiconductor Soldering and Mounting Techniques Reference Manual, SOLDERRM/D.

#### GENERIC MARKING DIAGRAM\*



- XXX = Specific Device Code  
 A = Assembly Location  
 Y = Year  
 W = Work Week  
 ■ = Pb-Free Package
- XXX = Specific Device Code  
 M = Date Code  
 ■ = Pb-Free Package

(Note: Microdot may be in either location)

\*This information is generic. Please refer to device data sheet for actual part marking. Pb-Free indicator, "G" or microdot "■", may or may not be present.

<b>DOCUMENT NUMBER:</b>	<b>98ARB18753C</b>	Electronic versions are uncontrolled except when accessed directly from the Document Repository. Printed versions are uncontrolled except when stamped "CONTROLLED COPY" in red.
<b>DESCRIPTION:</b>	<b>TSOP-5</b>	<b>PAGE 1 OF 1</b>

ON Semiconductor and are trademarks of Semiconductor Components Industries, LLC dba ON Semiconductor or its subsidiaries in the United States and/or other countries. ON Semiconductor reserves the right to make changes without further notice to any products herein. ON Semiconductor makes no warranty, representation or guarantee regarding the suitability of its products for any particular purpose, nor does ON Semiconductor assume any liability arising out of the application or use of any product or circuit, and specifically disclaims any and all liability, including without limitation special, consequential or incidental damages. ON Semiconductor does not convey any license under its patent rights nor the rights of others.

**onsemi**, **Onsemi**, and other names, marks, and brands are registered and/or common law trademarks of Semiconductor Components Industries, LLC dba "**onsemi**" or its affiliates and/or subsidiaries in the United States and/or other countries. **onsemi** owns the rights to a number of patents, trademarks, copyrights, trade secrets, and other intellectual property. A listing of **onsemi**'s product/patent coverage may be accessed at [www.onsemi.com/site/pdf/Patent-Marking.pdf](http://www.onsemi.com/site/pdf/Patent-Marking.pdf). **onsemi** reserves the right to make changes at any time to any products or information herein, without notice. The information herein is provided "as-is" and **onsemi** makes no warranty, representation or guarantee regarding the accuracy of the information, product features, availability, functionality, or suitability of its products for any particular purpose, nor does **onsemi** assume any liability arising out of the application or use of any product or circuit, and specifically disclaims any and all liability, including without limitation special, consequential or incidental damages. Buyer is responsible for its products and applications using **onsemi** products, including compliance with all laws, regulations and safety requirements or standards, regardless of any support or applications information provided by **onsemi**. "Typical" parameters which may be provided in **onsemi** data sheets and/or specifications can and do vary in different applications and actual performance may vary over time. All operating parameters, including "Typicals" must be validated for each customer application by customer's technical experts. **onsemi** does not convey any license under any of its intellectual property rights nor the rights of others. **onsemi** products are not designed, intended, or authorized for use as a critical component in life support systems or any FDA Class 3 medical devices or medical devices with a same or similar classification in a foreign jurisdiction or any devices intended for implantation in the human body. Should Buyer purchase or use **onsemi** products for any such unintended or unauthorized application, Buyer shall indemnify and hold **onsemi** and its officers, employees, subsidiaries, affiliates, and distributors harmless against all claims, costs, damages, and expenses, and reasonable attorney fees arising out of, directly or indirectly, any claim of personal injury or death associated with such unintended or unauthorized use, even if such claim alleges that **onsemi** was negligent regarding the design or manufacture of the part. **onsemi** is an Equal Opportunity/Affirmative Action Employer. This literature is subject to all applicable copyright laws and is not for resale in any manner.

## ADDITIONAL INFORMATION

### TECHNICAL PUBLICATIONS:

Technical Library: [www.onsemi.com/design/resources/technical-documentation](http://www.onsemi.com/design/resources/technical-documentation)  
onsemi Website: [www.onsemi.com](http://www.onsemi.com)

### ONLINE SUPPORT: [www.onsemi.com/support](http://www.onsemi.com/support)

For additional information, please contact your local Sales Representative at [www.onsemi.com/support/sales](http://www.onsemi.com/support/sales)

