

8 A Integrated Synchronous Buck Converter

NCP3237

The NCP3237 is a single-phase synchronous buck converter that integrates power MOSFETs to provide a high-efficiency and compact-footprint power management solution. This device is able to deliver up to 8 A output current over a wide output voltage range from 0.6 V to 12 V (up to 80% of V_{IN}). The NCP3237 offers a fixed frequency regulator ideally suited for noise sensitive systems.

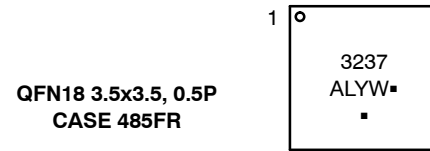
Features

- $V_{IN} = 4.5\text{ V} \sim 16\text{ V}$
- $V_{OUT} = 0.6\text{ V} \sim 0.80 * V_{IN}$ and up to 12 V
- Integrated Power MOSFETs
- Up to 8 A Output Current
- Integrated 5 V LDO
- Programmable Switching Frequency from 300 kHz to 1.2 MHz
- Forced CCM
- Both High-side and Low-side OCP Operation
- Hiccup Over-Current Protection
- Hiccup Over-Voltage and Under-Voltage Protection
- Recoverable Thermal Shutdown Protection
- 3.5 mm x 3.5 mm, QFN18 Package
- Safe Startup into Pre-biased Output Voltage
- This is a Pb-Free Device

Typical Application

- Base Station Radio Units
- Point of Load
- Telecom and Networking
- Server and Storage System

MARKING DIAGRAM

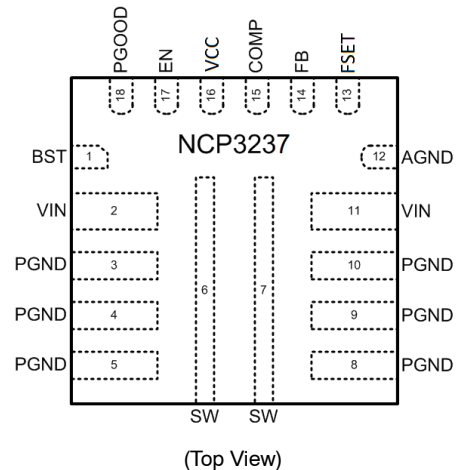


QFN18 3.5x3.5, 0.5P
CASE 485FR

- A = Assembly Location
- L = Wafer Lot
- Y = Year
- W = Work Week
- = Pb-Free Package

(Note: Microdot may be in either location)

PINOUT DIAGRAM



ORDERING INFORMATION

Device	Package	Shipping [†]
NCP3237MNTXG	QFN18 (Pb-Free)	3000 / Tape & Reel

[†]For information on tape and reel specifications, including part orientation and tape sizes, please refer to our Tape and Reel Packaging Specification Brochure, BRD8011/D.

NCP3237

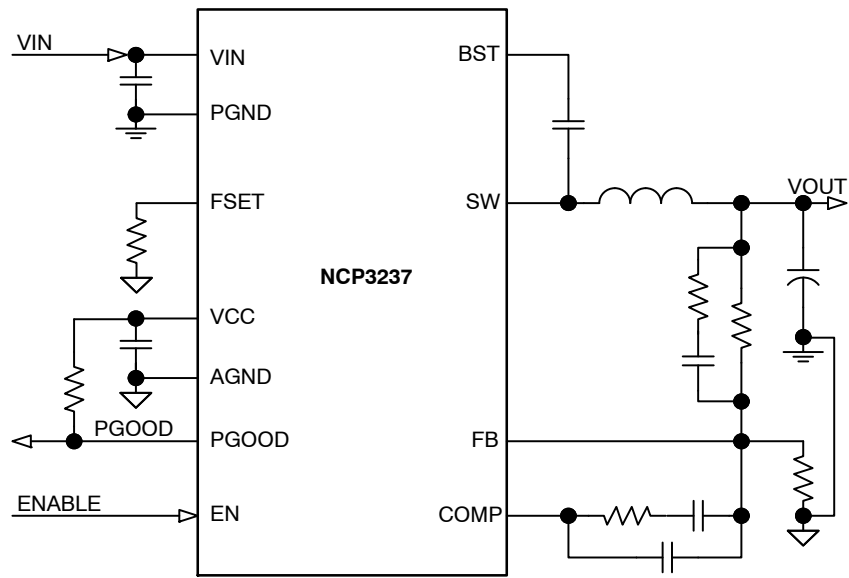


Figure 1. Typical Application Circuit

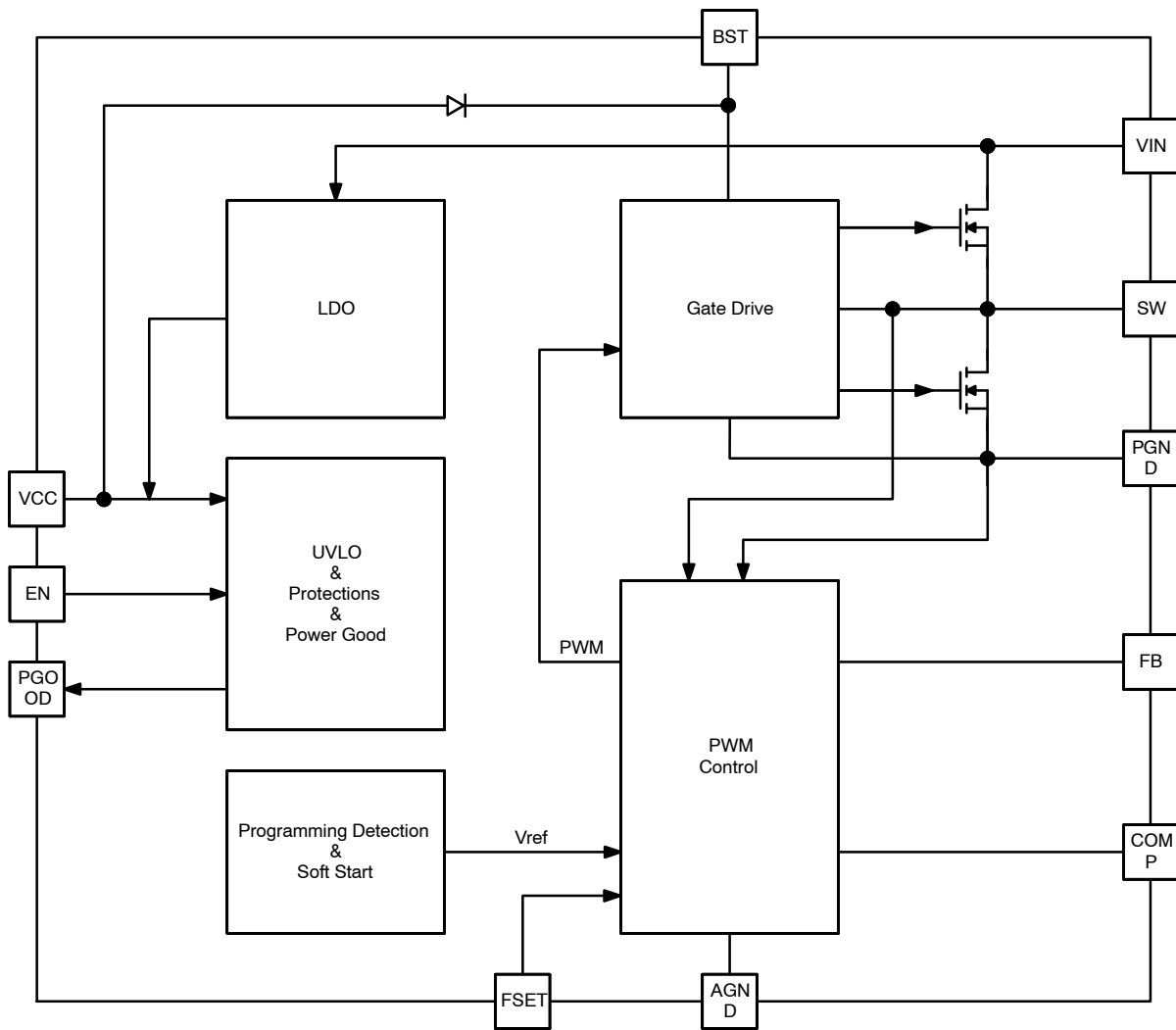


Figure 2. Functional Block Diagram

NCP3237

PIN DESCRIPTION

Pin	Name	Type	Description
1	BST	Power Bidirectional	Bootstrap. Provides bootstrap voltage for the high-side gate driver. A 0.1 μF ~ 1 μF ceramic capacitor is required from this pin to SW.
2, 11	VIN	Power Input	Power Supply Input. Power supply input pin of the device, which is connected to drain of internal high-side power MOSFET. Ceramic capacitors must bypass this input to power ground. The capacitors should be placed as close as possible to this pin.
3, 4, 5, 8, 9, 10	PGND	Power Ground	Power Ground. These pins are the power supply ground pins of the device, which are connected to source of internal low-side power MOSFET.
6, 7	SW	Power Output	Switching Node. Pins to be connected to an external inductor. These pins are interconnection between internal high-side MOSFET and low-side MOSFET.
12	AGND	Analog Ground	Analog Ground. Signal reference ground for the IC. Must be connected to the power ground.
13	FSET	Analog Input	Frequency Option. A resistor from this pin to AGND programs switching frequency.
14	FB	Analog Input	Feedback. Inverting input to error amplifier.
15	COMP	Analog Output	Compensation. Output pin of error amplifier.
16	VCC	Analog Power	Voltage Supply of Controller. Power supply input pin of control circuits. A 4.7 μF or larger ceramic capacitor bypasses this input to AGND. This capacitor should be placed as close as possible to this pin.
17	EN	Logic Input	Enable. Logic high enables the device and logic low shuts down the device.
18	PGOOD	Logic Output	Power Good. Open-drain output. Provides a logic high valid power good output signal, indicating the regulator's output is in regulation window.

MAXIMUM RATINGS

Rating	Symbol	Min	Max	Unit
Power Supply Voltage to PGND	V_{IN}	-0.3	17	V
Switch Node to PGND	V_{SW}	-0.3 -3 (<10ns)	17 22 (<10ns)	V
Analog Supply Voltage to GND	V_{CC}	-0.3	6.0	V
BST to PGND	BST_PGND	-0.3	22 28 (<10ns)	V
BST to SW	BST_SW	-0.3	6.0	V
FB to AGND	FB	-0.3	6.0	V
AGND to PGND		-0.3	0.3	V
Exposed Pad to PGND		-0.3	0.3	V
Other Pins		-0.3	$V_{\text{CC}}+0.3$	V
Operating Junction Temperature Range	T_{J}	-40	150	$^{\circ}\text{C}$
Operating Ambient Temperature Range	T_{A}	-40	150	$^{\circ}\text{C}$
Storage Temperature Range	T_{STG}	-55	150	$^{\circ}\text{C}$
Thermal Characterization Parameter, Junction to Top Case (Note 1)	$R_{\psi\text{JC}}$	2		$^{\circ}\text{C}/\text{W}$
Thermal Resistance Junction to Bottom Case/Leads (Note 1)	$R_{\theta\text{JC}}$	3.3		$^{\circ}\text{C}/\text{W}$
Thermal Resistance Junction to Ambient (Note 1)	$R_{\theta\text{JA}}$	31		$^{\circ}\text{C}/\text{W}$
Power Dissipation at $T_{\text{A}} = 25^{\circ}\text{C}$ (Note 2)	P_{D}	4		W
ESD Capability, Human Body Model per JESD22-A114	ESD_{HBM}	2		kV
ESD Capability, Charged Device Model per JESD22-C101	ESD_{CDM}	1		kV

Stresses exceeding those listed in the Maximum Ratings table may damage the device. If any of these limits are exceeded, device functionality should not be assumed, damage may occur and reliability may be affected.

- The thermal resistance values are dependent of the internal losses split between devices and the PCB heat dissipation. This data is based on a typical operation condition with a 4-layer FR-4 PCB board, which has two, 1-ounce copper internal power and ground planes and 2-ounce copper traces on top and bottom layers with approximately 80% copper coverage. No airflow and no heat sink applied (reference EIA/JEDEC 51.7). It also does not account for other heat sources that may be present on the PCB next to the device in question (such as inductors, resistors etc.)
- The maximum power dissipation (P_{D}) is dependent on input voltage, output voltage, output current, external components selected, and PCB layout. The reference data is obtained based on $T_{\text{JMAX}} = 150^{\circ}\text{C}$ and $R_{\theta\text{JA}} = 31^{\circ}\text{C}/\text{W}$.

NCP3237

RECOMMENDED OPERATING RANGE

Rating	Symbol	Min	Max	Unit
Input Voltage	V_{IN}	4.5	16	V
Output Voltage	V_{OUT}	0.6	12	V
Output Current, Continuous	I_{OUT}	0	8	A
Junction Temperature (Note 3)	T_J	-40	130	°C

Functional operation above the stresses listed in the Recommended Operating Ranges is not implied. Extended exposure to stresses beyond the Recommended Operating Ranges limits may affect device reliability.

3. Device specifications tested and characterized for 150°C operation with the Tsd function disabled.

ELECTRICAL CHARACTERISTICS

($V_{IN} = 12V$, typical values are referenced to $T_J = 25^\circ C$, Min and Max values are referenced to $T_J = -40^\circ C$ to $150^\circ C$, unless otherwise noted.)

Parameter	Test Conditions	Symbol	Min	Typ	Max	Units
-----------	-----------------	--------	-----	-----	-----	-------

SUPPLY VOLTAGE MONITOR

VCC Under-Voltage (UVLO) Threshold	VCC falling	V_{CCUV}	3.7	3.88		V
VCC OK Threshold	VCC rising	V_{CCOK}		4.15	4.3	V
VCC UVLO Hysteresis		V_{CCHYS}		269		mV

SUPPLY CURRENT

V_{IN} Quiescent Supply Current	EN high, $V_{FB} = 600$ mV, Non-switching	I_{QIN}		6.1	9.5	mA
V_{IN} Shutdown Current	EN low	I_{SD_IN}		65	115	μA

VCC

Output Voltage	$6V < V_{IN} < 16V$, $I_{VCC} = 20mA$, EN High (Note 4)	V_{CC}	4.85	5.0	5.15	V
Load Regulation	$6V < V_{IN} < 16V$, $I_{VCC} = 5mA$ to $50mA$, EN High (Note 4)	V_{CC_LOR}	-3.0		3.0	%
Dropout Voltage	$V_{IN} = 5V$, $I_{VCC} = 50mA$, EN High (Note 4)	V_{DC_VCC}		260		mV
Effective Capacitance of VCC Bypass Capacitor	$FSW < 600$ kHz	C_{LDO_EFF}	680			nF
	$FSW \geq 600$ kHz		840			

ENABLE

EN High Threshold	Normal Operation	V_{H_EN}	1.6			V
EN Low Threshold	Shutdown	V_{L_EN}			1.2	V
EN Input Impedance	Resistance from EN pin to AGND	R_{EN}		1.5		$M\Omega$

SOFT START

System Reset Time	From EN High to BST Refresh (Note 5)	T_{RST}		0.8		ms
BST Refresh Time		T_{BST}		10		μs
Soft Start Slew Rate	Refer to Internal VREF From Beginning of SS until PGOOD Asserts	SR_{SS}	0.55	0.6	0.68	mV/ μs

PGOOD

PGOOD Startup Delay	Measured from end of Soft Start to PGOOD Assertion (Note 5)	T_{d_PGOOD}		100		μs
PGOOD Shutdown Delay	Measured from EN to PGOOD de-assertion			1		μs
PGOOD Low Voltage	$I_{PGOOD} = -4$ mA	V_{I_PGOOD}			0.3	V
PGOOD Leakage Current	PGOOD = 5 V	I_{lk_PGOOD}			1.0	μA

SWITCHING FREQUENCY

Switching Frequency in CCM	1% 40.2 k Ω Resistor from FSET Pin to AGND	F_{SW}	495	550	605	kHz
----------------------------	---	----------	-----	-----	-----	-----

VOLTAGE REGULATION

Regulated Feedback Voltage	EN = High 0°C to 85°C -40°C to 150°C	V_{FB}	595 594	600 600	605 606	mV
----------------------------	--	----------	------------	------------	------------	----

NCP3237

ELECTRICAL CHARACTERISTICS (continued)

($V_{IN} = 12V$, typical values are referenced to $T_J = 25^\circ C$, Min and Max values are referenced to $T_J = -40^\circ C$ to $150^\circ C$, unless otherwise noted.)

Parameter	Test Conditions	Symbol	Min	Typ	Max	Units
-----------	-----------------	--------	-----	-----	-----	-------

PWM MODULATION

PWM Ramp Amplitude	(Note 5)	V_{RAMP}		$V_{IN}/8$		V
Minimum On Time	(Note 5)	T_{on_min}		50	68	ns
Minimum Off Time, absolute	(Note 5) (Note 6)	T_{off_min}		160	200	ns

VOLTAGE ERROR AMPLIFIER

Open-Loop DC Gain	(Note 5)	$GAIN_{EA}$	94	100		dB
Unity Gain Bandwidth	(Note 5)	GBW_{EA}	11	14		MHz
Slew Rate	(Note 5)	SR_{COMP}	9	15		V/ μs
COMP Voltage Swing	$I_{COMP(source)} = 2\text{ mA}$	$V_{maxCOMP}$	2.6	3		V
	$I_{COMP(sink)} = 2\text{ mA}$	$V_{minCOMP}$		0.75	0.89	
FB Bias Current	$V_{FB} = 0.6\text{ V}$	I_{FB}	-100		100	nA
COMP Max Sourcing	$V_{FB} = 0.5\text{ V}$	$I_{COMP(source)}$	18			mA
COMP Max Sinking	$V_{FB} = 0.7\text{ V}$	$I_{COMP(sinking)}$	10			mA

HIGH-SIDE MOSFET

Drain-to-Source ON Resistance	BST - SW = 5 V, $T_A = T_J = 25^\circ C$	R_{ON_H}		10.5		m Ω
-------------------------------	--	-------------	--	------	--	------------

LOW-SIDE MOSFET

Drain-to-Source ON Resistance	$V_{CC} = 5\text{ V}$, $T_A = T_J = 25^\circ C$	R_{ON_L}		5.2		m Ω
-------------------------------	--	-------------	--	-----	--	------------

PROTECTIONS

Over Current Threshold	High-side Current Limit	I_{LMT_HS}	11	13	16	A
	Low-side Current Limit	I_{LMT_LS}	10	12	15	
Negative Over Current Threshold	Low-side negative current limit	$I_{LMT_LS_NEG}$		-6	-10	A
Under Voltage Protection (UVP) Threshold	Voltage from FB to GND	V_{UVTH}		350		mV
Under Voltage Protection (UVP) Hysteresis		V_{UVHYS}		20		mV
Under Voltage Protection (UVP) Debounce Time		t_{D_UVTH}		2		μs
Over Voltage Protection (OVP) Threshold	Voltage from FB to GND	V_{OVTH}		750		mV
Over Voltage Protection (OVP) Hysteresis		V_{OVHYS}		30		mV
Over Voltage Protection (OVP) Debounce Time		t_{D_OVTH}		1		μs
Thermal Shutdown (TSD) Threshold	(Note 5)	T_{sd}		133		$^\circ C$
Recovery Temperature Threshold	(Note 5)	T_{rec}		116		$^\circ C$

BOOTSTRAP

On Resistance of Rectifier Switch	$V_{CC} = 5\text{ V}$, $I_d = 2\text{ mA}$, $T_A = T_J = 25^\circ C$	R_{BST}		40		Ω
Rectifier Switch Leakage Current		I_{lkgBST}			1.1	μA

Product parametric performance is indicated in the Electrical Characteristics for the listed test conditions, unless otherwise noted. Product performance may not be indicated by the Electrical Characteristics if operated under different conditions.

4. Not for external usage

5. Guaranteed by Design and/or Characterization. Not Production Tested

6. For most applications, the observed off-time will be over-ridden by the 80% duty cycle limit.

TYPICAL PERFORMANCE CHARACTERISTICS

$V_{IN} = 12\text{ V}$, $V_{OUT} = 1.8\text{ V}$, $F_{sw} = 550\text{ kHz}$, $L = 1\ \mu\text{H}$ (TDK, SPM6550T-1R0M100A),
 $C_{OUT} = 4 \times 47\ \mu\text{F} + 0.1\ \mu\text{F}$, $T_A = 25^\circ\text{C}$, unless otherwise indicated.

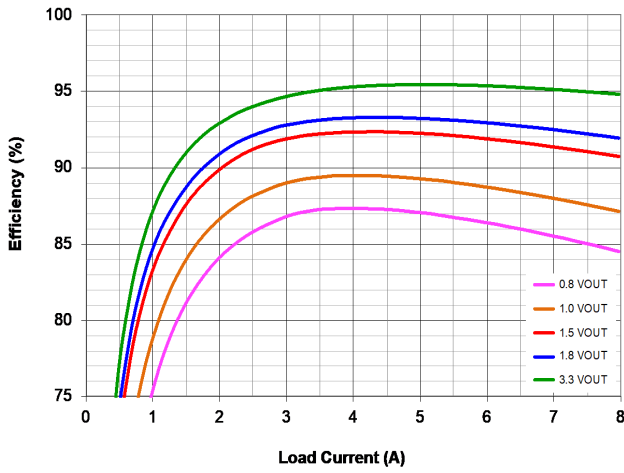


Figure 3. Efficiency vs. Load Current and Output Voltage

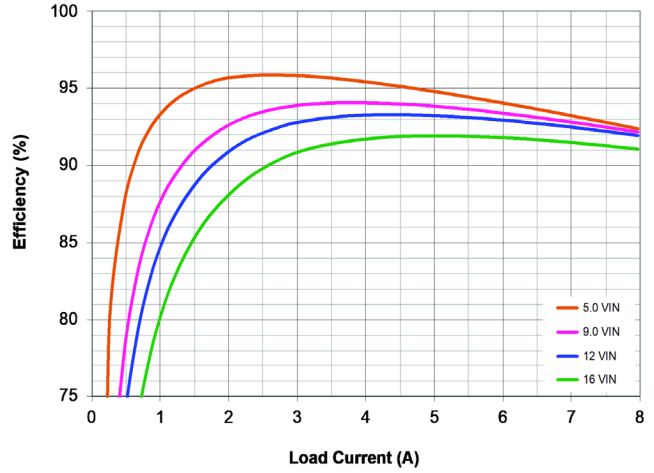


Figure 4. Efficiency vs. Load Current and Input Voltage

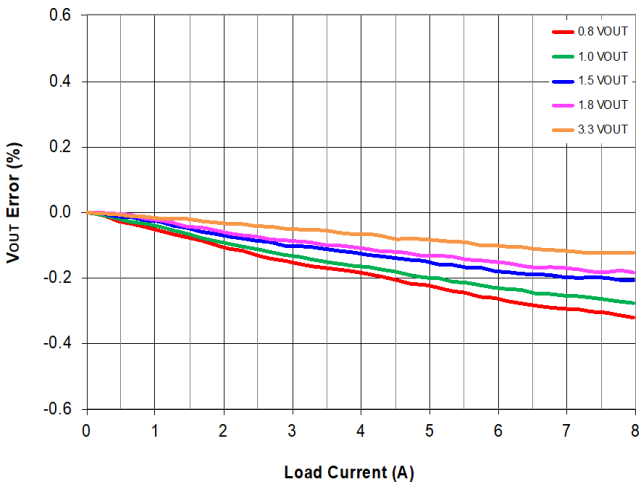


Figure 5. Load Regulation

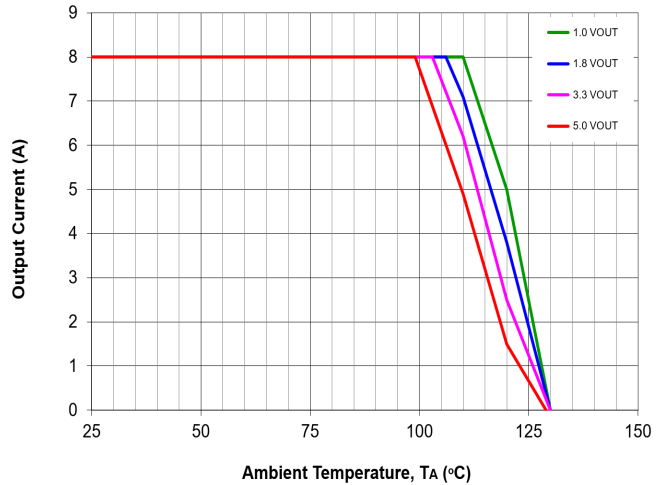


Figure 6. Thermal Safe Operating Area, No Airflow, PCB: 2 oz. Cu

NCP3237

TYPICAL PERFORMANCE CHARACTERISTICS

$V_{IN} = 12\text{ V}$, $V_{OUT} = 1.8\text{ V}$, $F_{sw} = 550\text{ kHz}$, $L = 1\text{ }\mu\text{H}$ (TDK, SPM6550T-1R0M100A),
 $C_{OUT} = 4 \times 47\text{ }\mu\text{F} + 0.1\text{ }\mu\text{F}$, $T_A = 25^\circ\text{C}$, unless otherwise indicated.

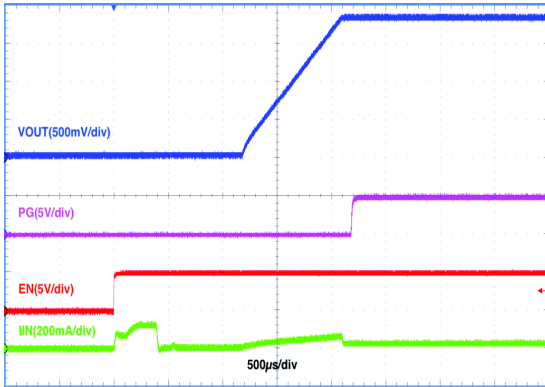


Figure 7. Start-up, No Load

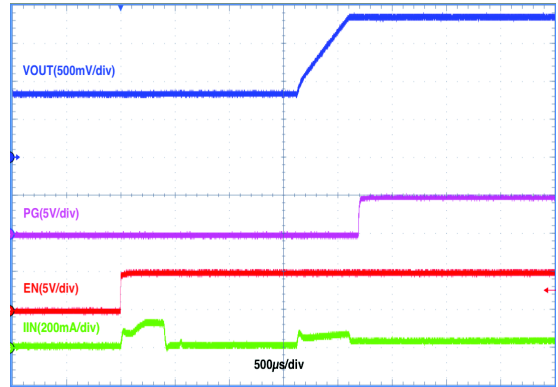


Figure 8. Start-up With 50% Pre-bias

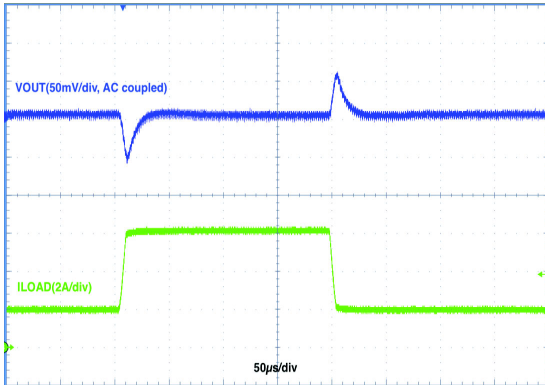


Figure 9. Load Transient, 2 A \leftrightarrow 6 A, Slew Rate = 1 A/ μ s

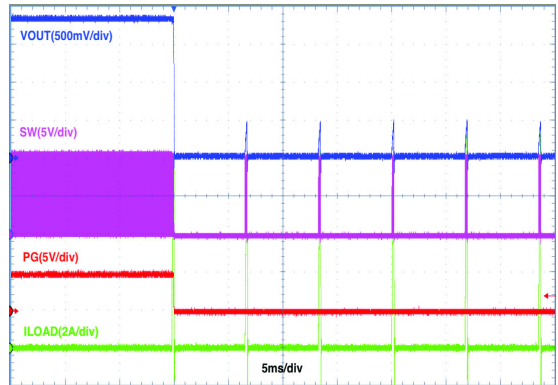


Figure 10. Over Current Protection, Hiccup Mode

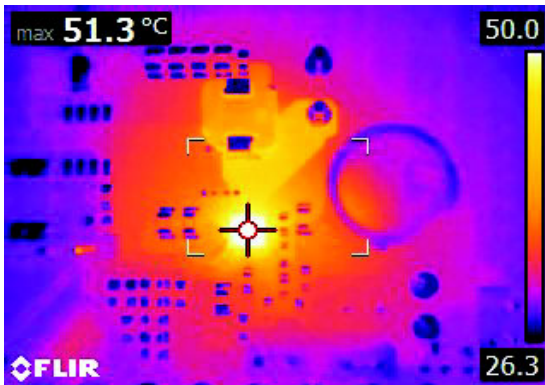


Figure 11. Thermal Image, No Airflow, $I_{OUT} = 8\text{ A}$, PCB: 2 oz. Cu

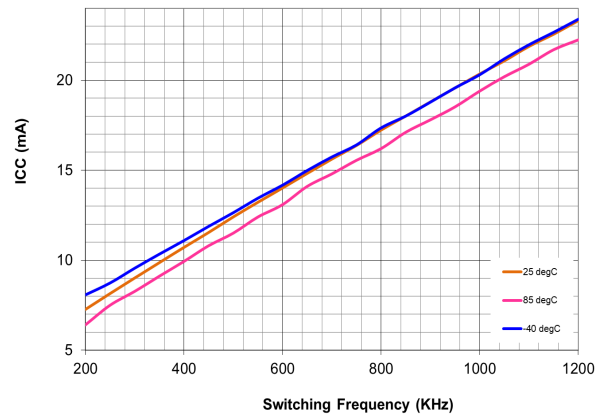


Figure 12. I_{CC} vs. Switching Frequency and Ambient Temperature

NCP3237

DETAILED DESCRIPTION

General

NCP3237 is a single-phase synchronous buck converter with two integrated N-type power MOSFETs to provide a high-efficiency and compact-footprint power management solution. The device is able to deliver up to 8A output current over a wide output voltage range from 0.6 V to $0.8 \times V_{IN}$. It has a wide input voltage range from 4.5 V to 16 V.

The NCP3237 features include resistor adjustable frequency input to optimize the output filter size, an enable and power good indicator for sequencing and an internal soft-start function during the initial power up. These devices offer safe start up into a pre-biased output condition and offer multiple protection features including cycle-by-cycle high side and low side over-current limiting, output over-voltage protection (OVP), under voltage protection (UVP) and thermal shutdown protection (TSD). During over-current, over-voltage and under-voltage conditions, these devices enter hiccup protection.

Operation

NCP3237 operates in forced CCM. In forced CCM, the high-side FET is ON during the on-time and the low-side FET is ON during the entire off-time. The switching is synchronized to an internal clock thus the switching frequency is fixed.

Reference Voltage

The NCP3237 incorporates an internal reference that allows output voltage to be as low as 0.6 V. The tolerance of the internal reference is guaranteed over the entire operating temperature range of the controller. The reference voltage is trimmed using a test configuration that accounts for error amplifier offset and bias currents.

Oscillator Ramp

The ramp waveform is a saw tooth formed at the PWM frequency with a peak-to-peak amplitude of $V_{IN}/8$, offset from AGND by typically 1.0 V. The PWM duty cycle is limited to a typical 80%, allowing the bootstrap capacitor to charge during each cycle.

Soft Start

The NCP3237 incorporates a soft start function. The output starts to ramp up following a system reset period (T_{RST}) after the device is enabled. Please see Figure 13 for the timing of the soft start. The device is able to start up smoothly with an output pre-biased voltage up to the target V_{OUT} level.

Under-Voltage Lockout (UVLO)

UVLO engages when V_{CC} falls below V_{CCUV} and the device shuts down. Once V_{CC} rises above V_{CCOK} , a soft-start is initiated following BST refresh cycles (T_{BST}).

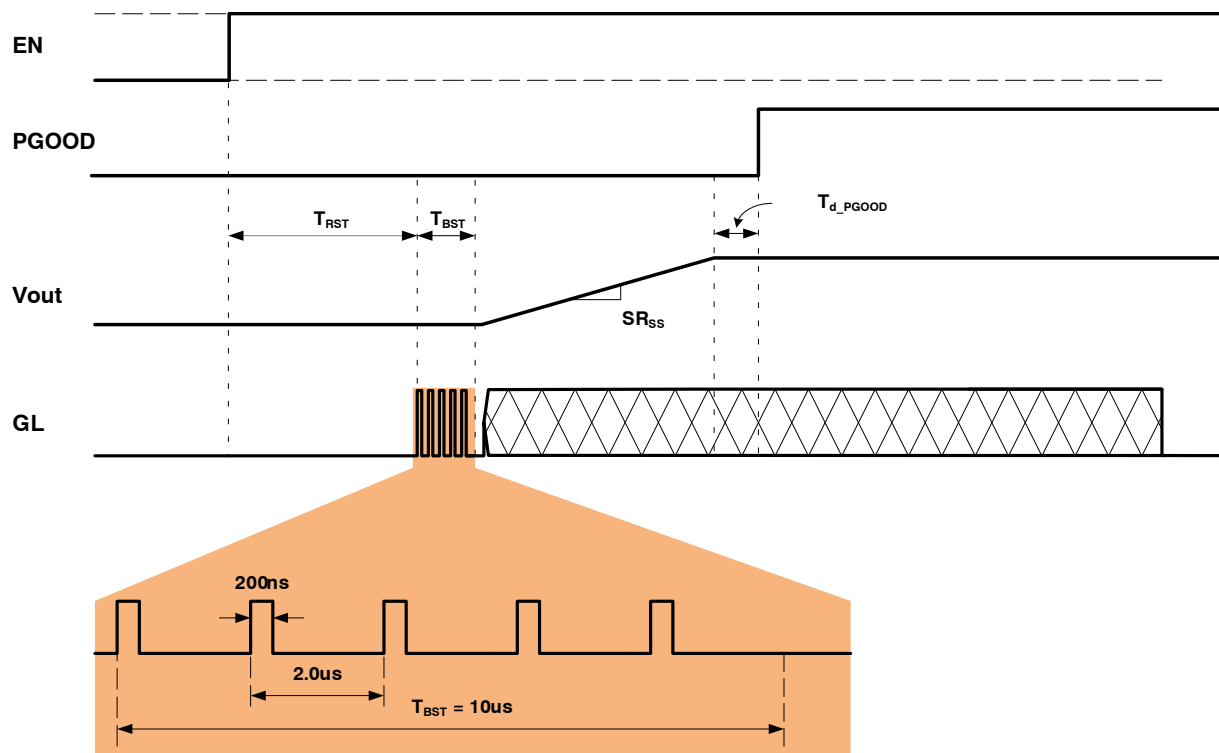


Figure 13. Timing Diagram of Soft Start

High-side MOSFET Over-Current Protection (HSOCP)

The NCP3237 protects the converter from high-side MOSFET over currents by employing a cycle-by-cycle peak current limit. The high-side MOSFET current is monitored by differential voltage sensing between VIN pin and SW pin, and compared with the internal OCP limit value I_{LMT_HS} . If it reaches the I_{LMT_HS} level on any given clock cycle, the cycle terminates to prevent the current from increasing any further.

If HSOCP occurs for more than 3 consecutive switching cycles, the device shuts down and enters hiccup mode. To prevent nuisance trips, the internal HSOCP counter adds 2 for a HSOCP event, and subtracts 1 for every normal switching cycle (not LSOCP cycles). The counter resets when it counts up to 6 and the device shuts down. Upon shut

down, the high side switch is held off, while the low side switch remains on until a ZCD is detected. This is to prevent the switching node going very negative which can cause malfunction. PGOOD is pulled low upon ZCD detection.

The device implements a 6 soft-start cycle hiccup time-out after PGOOD goes low. After the time-out, it implements BST refresh cycles before a normal soft-start attempt. Please see Figure 14 for the timing diagram.

The device may enter into under voltage protection before OCP hiccup happens if the output voltage drops down very fast.

HSOCP detection starts from the beginning of soft-start, and ends in shutdown and idle time of hiccup mode.

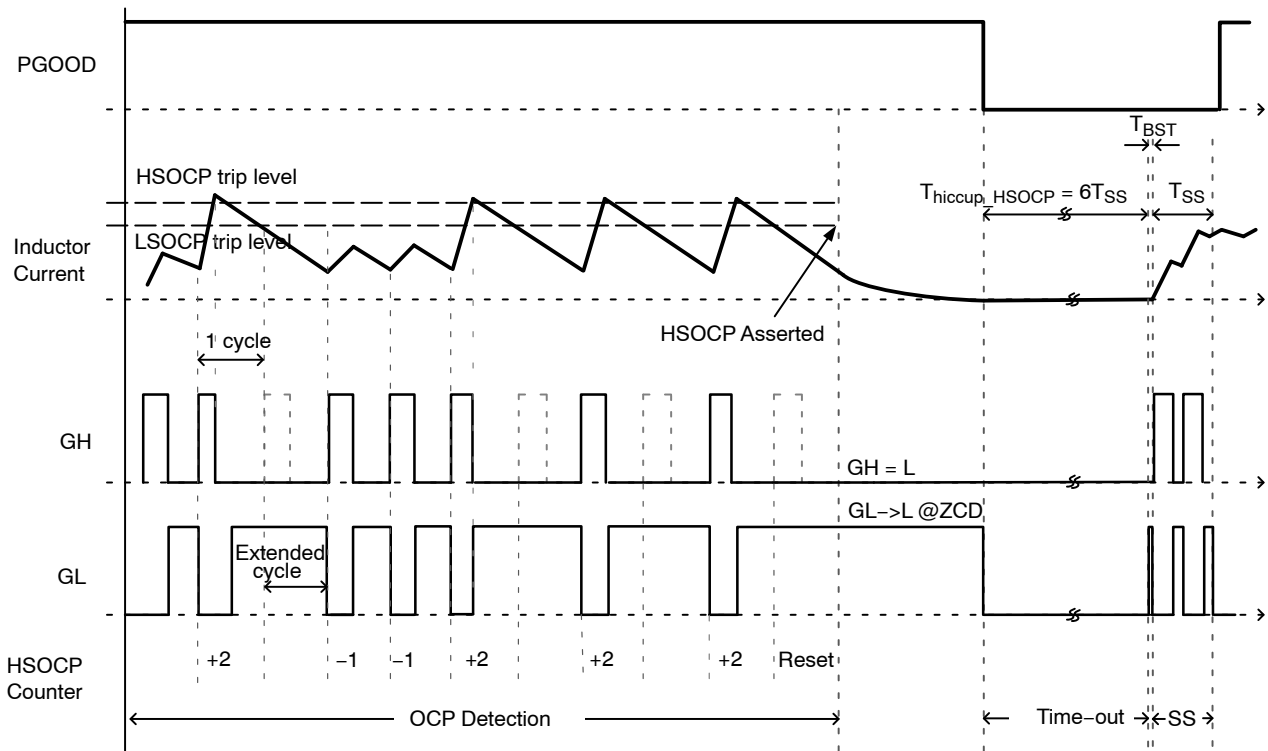


Figure 14. Timing Diagram of High-Side Over Current Protection

Low-side MOSFET Over-Current Protection (LSOCP)

The NCP3237 protects the converter from low-side MOSFET over current utilizing a cycle-by-cycle current limit. The low-side MOSFET current is monitored by voltage sensing between SW pin and PGND pin, and compared with the internal OCP limit value I_{LMT_LS} . If it is higher than I_{LMT_LS} level on any given clock cycle, the high-side MOSFET will not be turned on and the low-side MOSFET stays on for the next switching cycle. The high-side MOSFET is turned on again only when the low-side current is below the OCP limit value during the previous switching cycle.

If LSOCP occurs for more than 4 consecutive switching cycles, the device shuts down and enters hiccup mode. To prevent nuisance trips, the internal LSOCP counter adds 2 for a LSOCP event, and subtracts 1 for every normal switching cycle (not extended cycles). The counter resets

when it counts up to 8 and the device shuts down. Upon shut down, the high side switch keeps off all the time, while the low side switch keeps on until a ZCD is detected. This is to prevent the switching node going very negative which can cause malfunction. PGOOD is pulled low upon ZCD detection.

The device implements a 4 soft-start cycle time-out after PGOOD goes low. After the time-out, it implements BST refresh cycles before a normal soft-start attempt. Please see Figure 15 for the timing diagram.

The device may enter into under voltage protection before OCP hiccup happens if the output voltage drops down very fast.

LSOCP detection starts from the beginning of the soft start time, and ends in shutdown and idle time of hiccup mode.

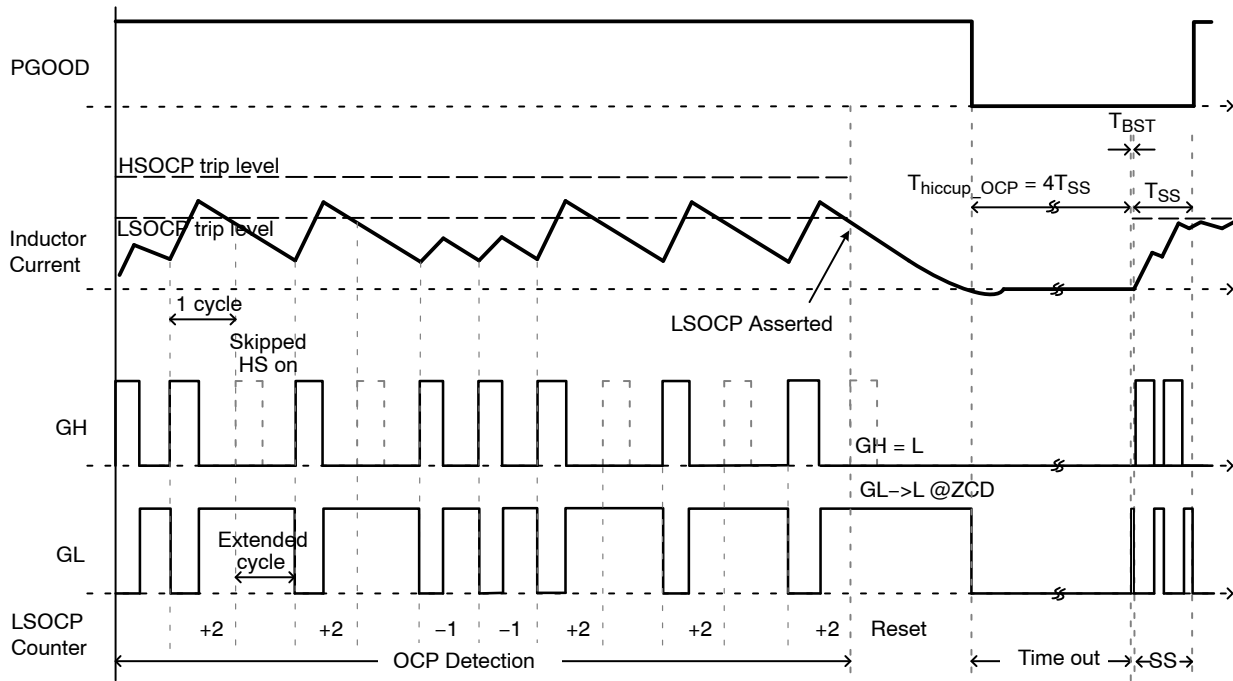


Figure 15. Timing Diagram of Low-Side Over Current Protection

Under Voltage Protection (UVP)

NCP3237 monitors the FB voltage to detect a UVP event. A UVP is asserted once FB voltage drops below V_{UVTH} for more than UVP debounce time (t_{D_UVTH}). When UVP is asserted, it turns off the high side FET, and keep the low-side FET on until a ZCD is detected. PGOOD is pulled low upon ZCD detection. It implements a 5 soft-start cycle time-out

from when PGOOD goes low. After the time-out, it implements BST refresh cycles before a normal soft-start attempt. Please see Figure 16 for the timing diagram.

UVP detection starts when PGOOD delay T_{d_PGOOD} is expired right after a soft start, and ends in shutdown and idle time of hiccup mode.

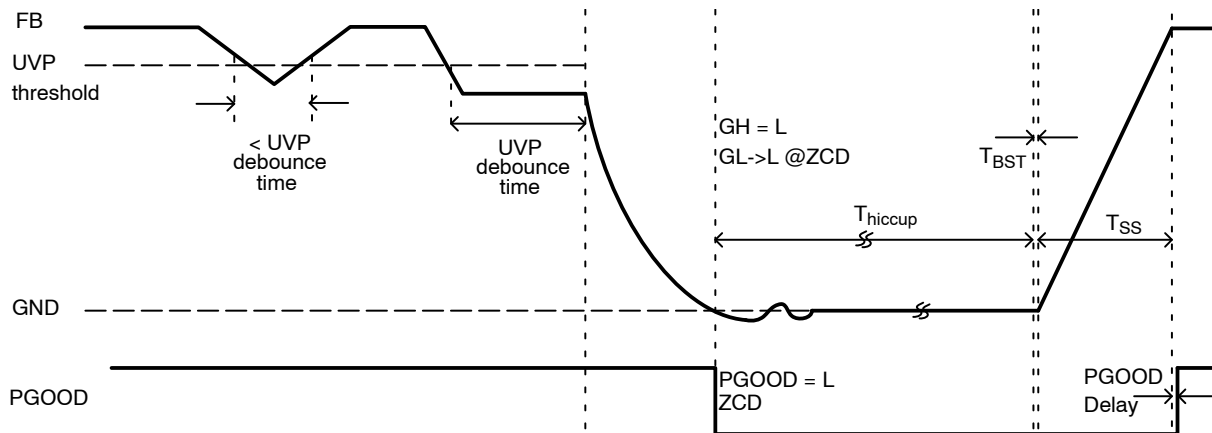


Figure 16. Timing Diagram of Non-latched Under Voltage Protection

Over Voltage Protection (OVP)

During normal operation the output voltage is monitored at the FB pin. If FB voltage exceeds the OVP threshold (V_{OVTH}) for more than t_{D_OVTH} , OVP is triggered and PGOOD is pulled low. In the meanwhile, the high-side MOSFET is latched off and the low-side MOSFET is turned on. After the OVP trips, the DAC immediately goes down to zero. The low-side MOSFET current would become negative during OVP. If the low-side negative current limit is exceeded, the low-side MOSFET is turned off immediately. In this scenario, both MOSFETs are off. After

negative over current protection trips, the low-side MOSFET turns off and stays off for at least 640 ns. If the OVP is still not cleared, the low-side MOSFET will turn on again. The OVP threshold is set to a fixed value of V_{ovth} .

After the OVP gets asserted, NCP3237 implements an 8 normal soft-start cycle time-out. Then it is followed by BST refresh cycles before a normal soft-start attempt. Please see Figure 17 for the timing diagram.

OVP detection starts from the beginning of the soft start and ends in shutdown and idle time of hiccup mode.

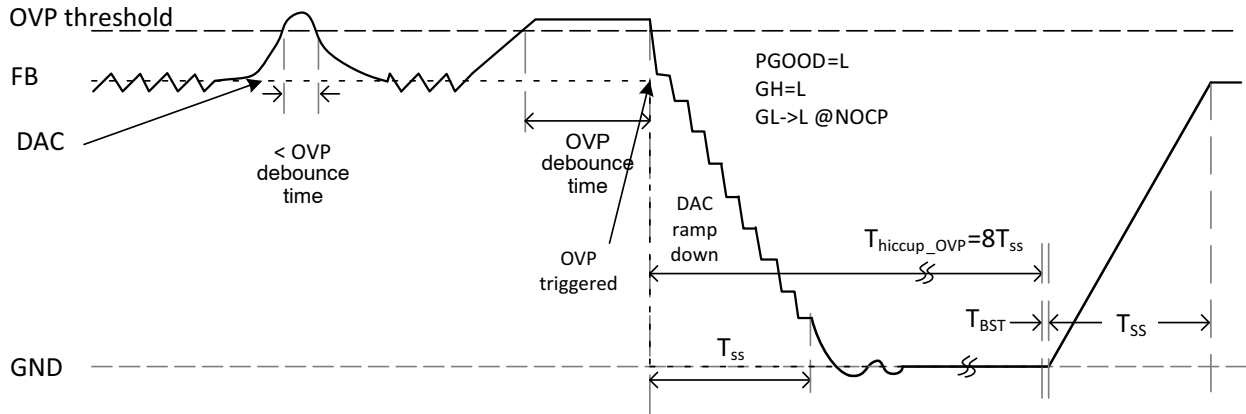


Figure 17. Function of Non Latch-Off Over Voltage Protection

Thermal Shutdown (TSD)

The NCP3237 has an internal thermal shutdown protection to protect the device from overheating in an extreme case that the die temperature exceeds T_{sd} . TSD detection starts from the beginning of soft-start. Once the thermal protection is triggered, the whole chip shuts down. If the temperature drops below T_{rec} , the system automatically recovers and a normal soft-start sequence follows.

Power Good Monitor (PGOOD)

The NCP3237 provides a window comparator to monitor the voltage at FB pin. The open-drain PG goes high when the device is operating in a normal operating condition (no UVLO, UVP, OVP, OCP or TSD faults). Connect a pull up resistor to VCC for simplicity or to an external voltage to interfacing to another logic rail such as 3.3 V. When a fault occurs, PGOOD goes low. Choose a pull up to limit the sink current to 4 mA. During soft start, PGOOD stays low until the feedback voltage is within the specified range for about 100 μ s. The PGOOD pin de-asserts as the EN pin pulled low for 1 μ s. For an under-voltage event on VCC, PGOOD goes low immediately.

Switching Frequency

The NCP3237 provides programmable switching frequency in the range of 300 kHz to 1.2 MHz. The switching frequency can be programmed through the resistor from the FSET pin to AGND. The switching frequency is calculated by:

$$F_{SW} = \left(\frac{40 \text{ k}\Omega}{R_{FSET}} \right) \cdot 550 \text{ kHz}$$

The default switching frequency is set at 550 kHz typical with a 40.2 k Ω resistor. 1% resistors are recommended to be used.

External VCC Supply

The NCP3237 can operate with an external voltage supply to the VCC pin in place of the internal LDO. When operating with $V_{IN} > 5 \text{ V}$, a constant voltage greater than 5.15 V (recommended 5.2 V) must be supplied to the VCC pin to override the internal LDO output. To prevent forward biasing the LDO body diode, V_{IN} must be always greater than the external VCC.

LAYOUT GUIDELINES

Electrical Layout Considerations

Good electrical layout is a key to ensure proper operation, high efficiency, and noise reduction.

- **Power Paths:** Use wide and short traces for power paths (such as VIN, VOUT, SW, and PGND) to reduce parasitic inductance and high-frequency loop area. It is also good for efficiency improvement.
- **Power Supply Decoupling:** The device should be well decoupled by input capacitors and input loop area should be as small as possible to reduce parasitic inductance, input voltage spike, and noise emission. Usually, a small low-ESL MLCC is placed very close to VIN and PGND pins.
- **VCC Decoupling:** Place decoupling caps as close as possible to VCC pin. The filter resistor at VCC pin should be not higher than 4.7 Ω to prevent large voltage drop.
- **Output Decoupling:** The output capacitors should be as close as possible to the load. If the load is distributed, the capacitors should also be distributed and generally placed in greater proportion where the load is more dynamic.
- **Switching Node:** SW node should be a copper pour, but compact because it is also a noise source.
- **Bootstrap:** The bootstrap cap and an option resistor need to be very close and directly connected between pin 17 (BST) and pin 16 (SW).

- **Ground:** It would be good to have separated ground planes for PGND and AGND and connect the AGND planes to the exposed pad GND through vias.
- **Voltage Sense:** Route a “quiet” path for the output voltage sense. AGND could be used as a remote ground sense when differential sense is preferred.
- **Compensation Network:** The compensation network should be close to the NCP3237. Keep FB trace short to minimize its capacitance to ground.

Thermal Layout Considerations

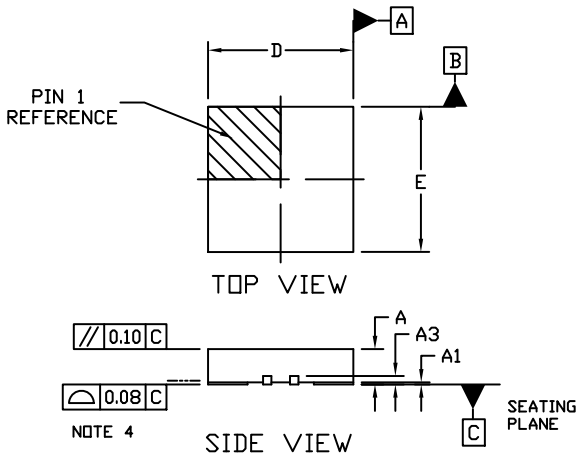
Good thermal layout helps high power dissipation from a small-form factor VR with reduced temperature rise.

- The exposed pads must be well soldered on the board.
- A four or more layers PCB board with solid ground planes is preferred for better heat dissipation.
- More free vias are welcome to be around IC and underneath the exposed pads to connect the inner ground layers to reduce thermal impedance.
- Use large area copper pour to help thermal conduction and radiation.
- Do not put the inductor too close to the IC, thus the heat sources are distributed.



QFN18 3.5x3.5, 0.5P
CASE 485FR
ISSUE O

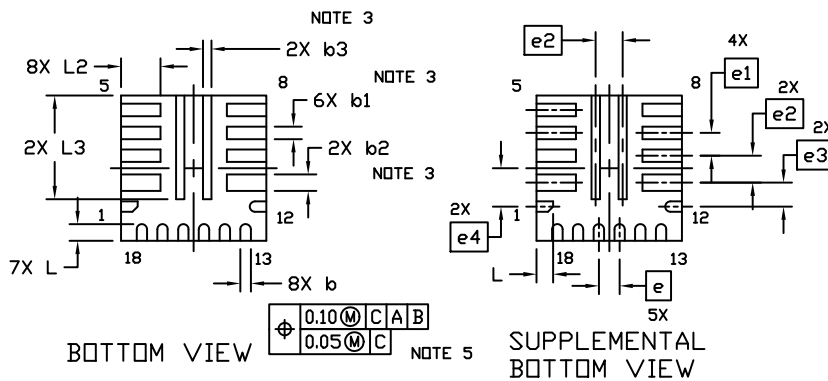
DATE 28 MAR 2018



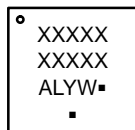
NOTES:

1. DIMENSIONING AND TOLERANCING PER ASME Y14.5M, 1994.
2. CONTROLLING DIMENSION: MILLIMETERS
3. DIMENSIONS b AND b1 APPLY TO THE PLATED TERMINAL AND ARE MEASURED BETWEEN 0.15 AND 0.30 MM FROM THE TERMINAL TIP.
4. COPLANARITY APPLIES TO ALL OF THE TERMINALS.
5. POSITIONAL TOLERANCE APPLIES TO ALL OF THE TERMINALS.

DIM	MILLIMETERS		
	MIN.	NOM.	MAX.
A	0.80	0.85	0.90
A1	0.00	---	0.05
A3	0.20 REF		
b	0.20	0.25	0.30
b1	0.25	0.30	0.35
b2	0.35	0.40	0.45
b3	0.15	0.20	0.25
D	3.40	3.50	3.60
E	3.40	3.50	3.60
e	0.50 BSC		
e1	0.55 BSC		
e2	0.65 BSC		
e3	0.575 BSC		
e4	0.925 BSC		
L	0.30	0.40	0.50
L2	0.85	0.95	1.05
L3	2.40	2.50	2.60



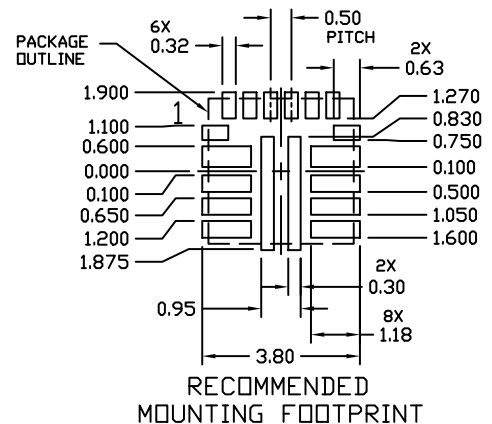
GENERIC MARKING DIAGRAM*



- A = Assembly Location
- L = Wafer Lot
- Y = Year
- W = Work Week
- = Pb-Free Package

(Note: Microdot may be in either location)

*This information is generic. Please refer to device data sheet for actual part marking. Pb-Free indicator, "G" or microdot "▪", may or may not be present. Some products may not follow the Generic Marking.



DOCUMENT NUMBER:	98AON84703G	Electronic versions are uncontrolled except when accessed directly from the Document Repository. Printed versions are uncontrolled except when stamped "CONTROLLED COPY" in red.
DESCRIPTION:	QFN18 3.5x3.5, 0.5P	PAGE 1 OF 1

ON Semiconductor and ON are trademarks of Semiconductor Components Industries, LLC dba ON Semiconductor or its subsidiaries in the United States and/or other countries. ON Semiconductor reserves the right to make changes without further notice to any products herein. ON Semiconductor makes no warranty, representation or guarantee regarding the suitability of its products for any particular purpose, nor does ON Semiconductor assume any liability arising out of the application or use of any product or circuit, and specifically disclaims any and all liability, including without limitation special, consequential or incidental damages. ON Semiconductor does not convey any license under its patent rights nor the rights of others.

onsemi, **Onsemi**, and other names, marks, and brands are registered and/or common law trademarks of Semiconductor Components Industries, LLC dba "**onsemi**" or its affiliates and/or subsidiaries in the United States and/or other countries. **onsemi** owns the rights to a number of patents, trademarks, copyrights, trade secrets, and other intellectual property. A listing of **onsemi**'s product/patent coverage may be accessed at www.onsemi.com/site/pdf/Patent-Marking.pdf. **onsemi** reserves the right to make changes at any time to any products or information herein, without notice. The information herein is provided "as-is" and **onsemi** makes no warranty, representation or guarantee regarding the accuracy of the information, product features, availability, functionality, or suitability of its products for any particular purpose, nor does **onsemi** assume any liability arising out of the application or use of any product or circuit, and specifically disclaims any and all liability, including without limitation special, consequential or incidental damages. Buyer is responsible for its products and applications using **onsemi** products, including compliance with all laws, regulations and safety requirements or standards, regardless of any support or applications information provided by **onsemi**. "Typical" parameters which may be provided in **onsemi** data sheets and/or specifications can and do vary in different applications and actual performance may vary over time. All operating parameters, including "Typicals" must be validated for each customer application by customer's technical experts. **onsemi** does not convey any license under any of its intellectual property rights nor the rights of others. **onsemi** products are not designed, intended, or authorized for use as a critical component in life support systems or any FDA Class 3 medical devices or medical devices with a same or similar classification in a foreign jurisdiction or any devices intended for implantation in the human body. Should Buyer purchase or use **onsemi** products for any such unintended or unauthorized application, Buyer shall indemnify and hold **onsemi** and its officers, employees, subsidiaries, affiliates, and distributors harmless against all claims, costs, damages, and expenses, and reasonable attorney fees arising out of, directly or indirectly, any claim of personal injury or death associated with such unintended or unauthorized use, even if such claim alleges that **onsemi** was negligent regarding the design or manufacture of the part. **onsemi** is an Equal Opportunity/Affirmative Action Employer. This literature is subject to all applicable copyright laws and is not for resale in any manner.

ADDITIONAL INFORMATION

TECHNICAL PUBLICATIONS:

Technical Library: www.onsemi.com/design/resources/technical-documentation
onsemi Website: www.onsemi.com

ONLINE SUPPORT: www.onsemi.com/support

For additional information, please contact your local Sales Representative at www.onsemi.com/support/sales