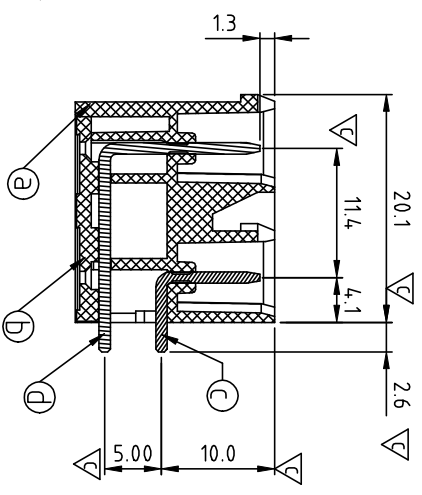
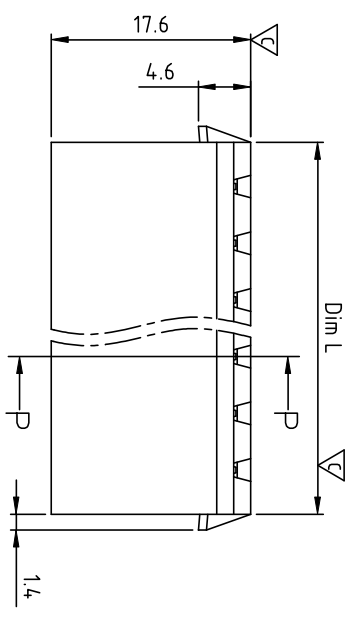
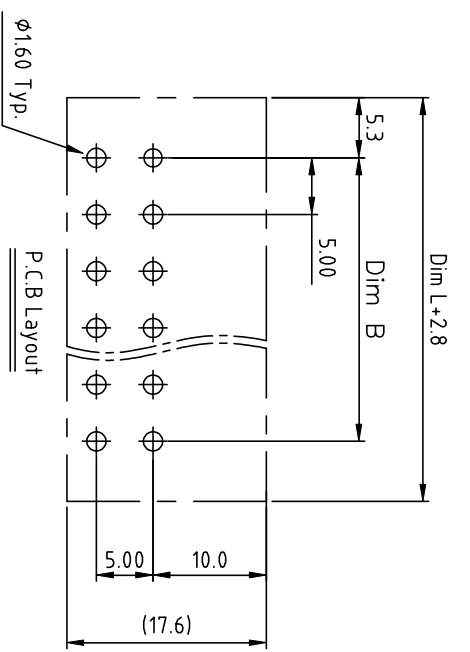
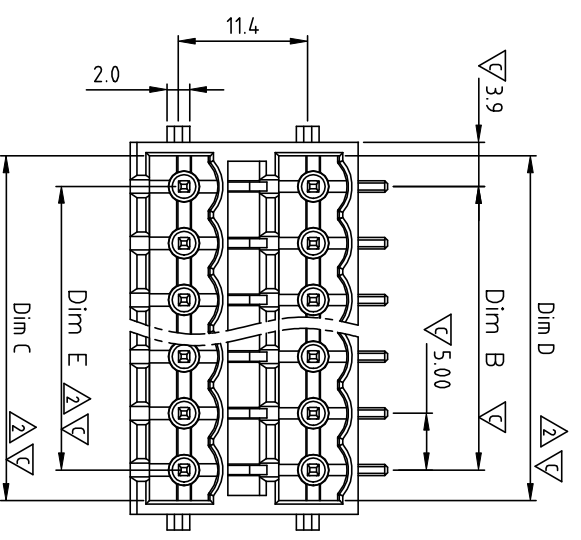


SIGN	DATE	DESCRIPTION	APPROVER
△	03/29/12	Add is cULus	Chen Bo
△	03/29/12	The dimension C & D & E are added	Chen Bo

THIS IS CAD DRAWING. DO NOT REVISE MANUALLY!!!!



- Material:**
- Item a Terminal(housing): Thermoplastic (UL94V-0)
 - Item b Terminal(cover): Thermoplastic (UL94V-0)
 - Item c Male contact pin of short: Copper Tin plated
 - Item d Male contact pin of long: Copper Tin plated
- Electrical:**
- Voltage rating: cULus 300V
 - Current rating: 12A
 - Withstanding Voltage: 16KV
 - Operating temperature: -40°C to +115°C
 - Soldering temperature: 250°C±10°C/5 Sec
 - Safety Approval: SAI
 - Critical dimension:

KE XX 7 3 X 3 XXXX G

No. OF POLES ————

04: 2x2 POLES
06: 2x3 POLES
:

48: 2x24 POLES

ROHS compliant (lead<4%) In copper Alloy

COLOR ————

0000: "@ Logo (Standard)
000A: "ANYTEK" Mark

Any special item by customer request please contact sales department.

0 Black (RAL9005)
2 Red (RAL3001/D)
3 Orange(RAL2011/P)
4 Yellow(RAL1018/A)
5 Green(RAL6018/T)
6 Blue (RAL5015/A)
8 Grey(RAL7035/D)
9 White(RAL1102)
C Green(RAL6018/U)

N = Number of poles
Dim L=Nx5.0+2.8
Dim B=(N-1)x5.0
Dim C=(N-1)x5.0+5.4
Dim D=(N-1)x5.0+5.4
Dim E=(N-1)x5.0

Poles	Dim L	Dim B	Dim C	Dim D	Dim E
2x2-2x6p	±0.15	±0.15	+0.05 -0.05	+0.05 -0.05	±0.15
2x7-2x12p	±0.25	±0.25	+0.10 -0.05	+0.10 -0.05	±0.25
2x13-2x18p	±0.35	±0.35	+0.20 -0.05	+0.20 -0.05	±0.35
2x19-2x24p	±0.40	±0.40	+0.25 -0.10	+0.25 -0.10	±0.40

ANYTEK

ALL RIGHTS RESERVED. REPRODUCTION OR ISSUE TO THIRD PARTIES IN ANY FORM WHATSOEVER IS NOT PERMITTED WITHOUT WRITTEN AUTHORITY FROM THE PROPRIETOR. PROPERTY OF ANYTEK TECHNOLOGY CO., LTD.

CUSTOMER COPY

TITLE		KE 5.0mm With latch holder Series 2x2P-2x24P (90°-Right-angle) DIP Type	
PART NO.	KExx73x3xxxxG	DWG NO.	8KE0105
CHECKED	DESIGNED	DRAWN	CUST. NO.
Chen Bo 04/14/12	Chen Bo 04/14/12		
APPROVED		Tolerance	
		UNIT: mm	X ±0.50
		SCALE: NONE	X.X ±0.30
		REV: C	X.XX ±0.10
		SHEET: 01/01	X° ±1°