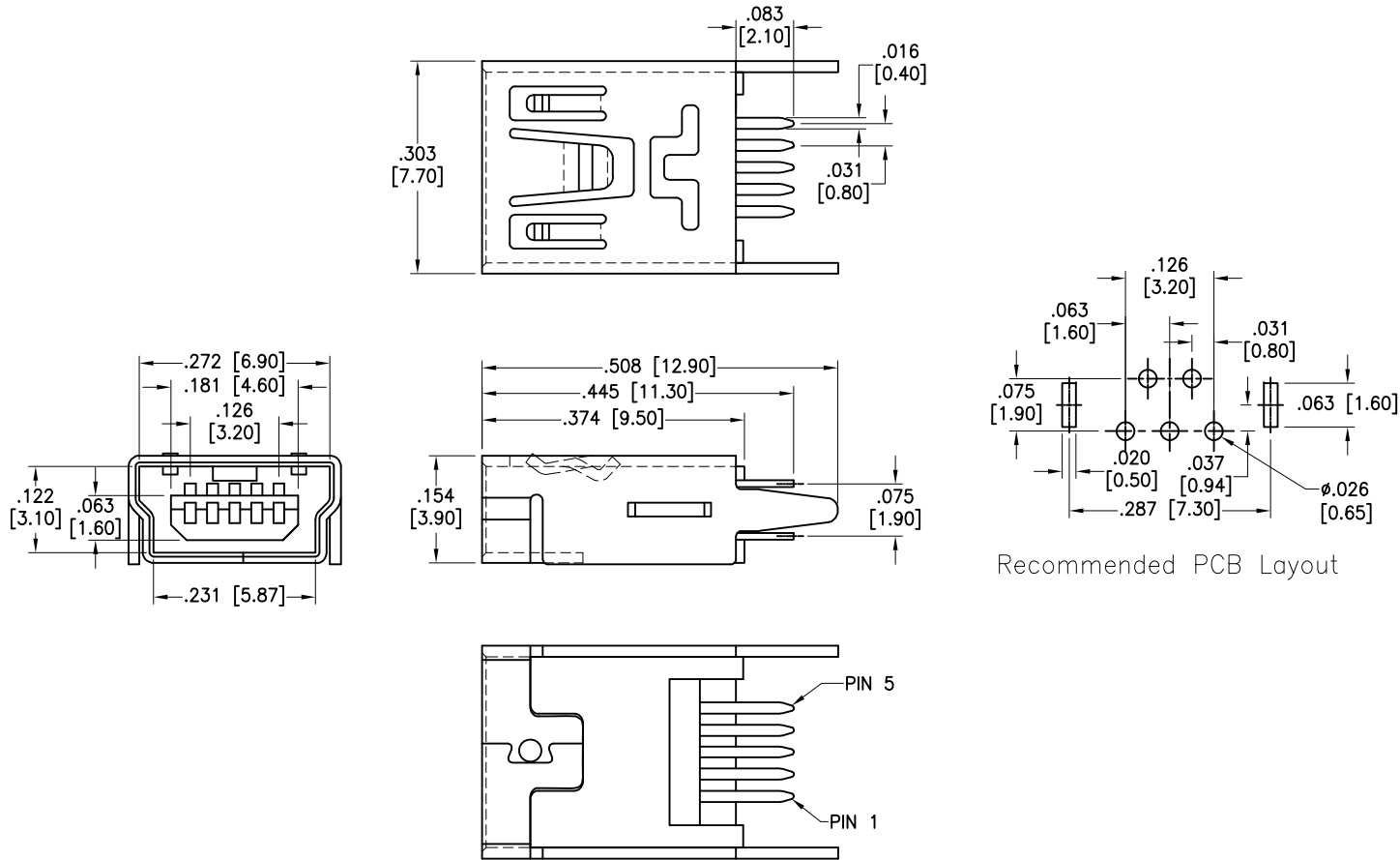


APPROVED: _____
 DATE: _____ TITLE: _____

Rev	AWO #	Description	Date	Appr
-		RELEASED	8/26/11	
A		REDRAWN	12/26/14	AY/NP



Recommended PCB Layout

SPECIFICATIONS:

Material:
 Insulator: Hi-temp thermoplastic, rated UL 94V-0
 Insulator color: Black
 Contacts: Copper Alloy
 Shell: Copper Alloy, Nickel Plated

Plating:

Gold Flash over Nickel underplate on contact area,
 Tin over Copper underplate on PCB tails.

Electrical:

Voltage rating: 30 VDC
 Current rating: 1 Amps max
 Contact resistance: 50 Mohms Max.
 Insulation resistance: 100 Mohms Min.
 Dielectric withstanding voltage: 300 VAC for 1 minute

Environmental:

Lead free, RoHS compliant.



UNLESS OTHERWISE SPECIFIED ALL DIMENSIONS ARE INCHES [MM] TOLERANCES: EXCEPT AS NOTED INCHES HOLES			
.X	± .10	ØX	± .10
.XX	± .020	ØXX	± .015
.XXX	± .015	ØXXX	± .010
APPROVALS		DATE	
DRAWN	TW	8/26/11	
CHECKED	AY	8/26/11	
APPROVED			

ADAM TECH

909 Rahway Avenue, Union, NJ 07083
 Phone: 908-687-5000 Fax: 908-687-5710

TITLE MINI USB, TYPE B, 5PIN, VERTICAL PCB MOUNT, LONG SHIELD PIN			
SIZE	PART NO.	REV.	
X	MUSB-B5-S-VT-LSP	A	
REF:	S00097C	SCALE: NTS	SHEET 1 OF 1