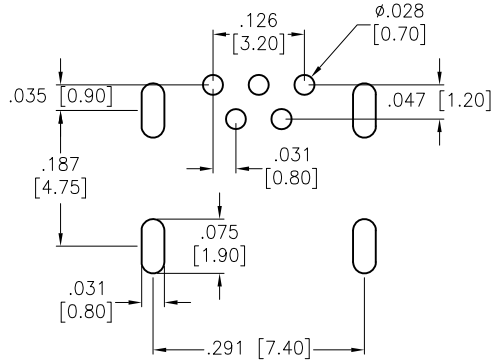
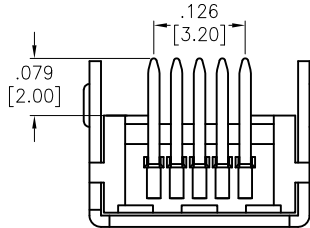
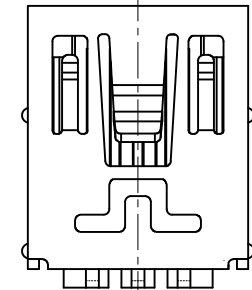
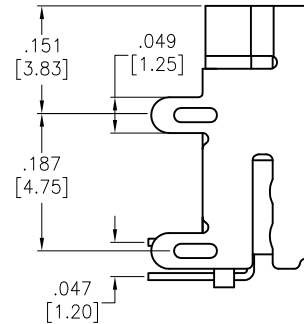
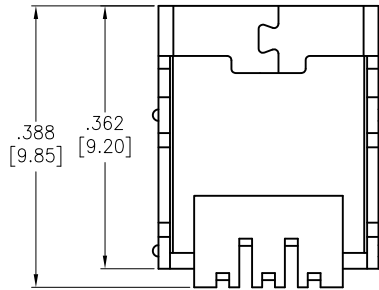
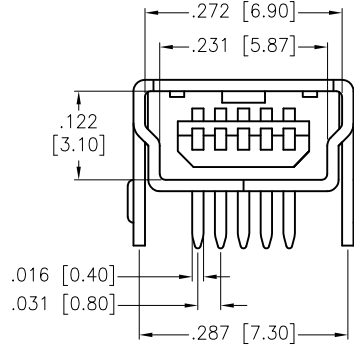


APPROVED: _____
 DATE: _____ TITLE: _____

Rev	AWO #	Description	Date	Appr
-		RELEASED	04/20/05	
A		REVISED & REDRAWN	10/09/06	
B		UPDATED DRAWING	1/25/16	AY/MW



RECOMMENDED PCB LAYOUT



SPECIFICATIONS:

Material:
 Insulator: Hi-temp thermoplastic rated UL 94V-0
 Insulator color: Black
 Contacts: Phosphor Bronze
 Shell: Brass, nickel plated

Plating:

Gold flash over Nickel underplate on contact area,
 Tin over Copper underplate on PCB tails

Electrical:

Operating voltage: 30 VAC max
 Current rating: 1 Amps max
 Contact resistance: 50 Mohms max
 Insulation resistance: 100 Mohms min
 Dielectric withstanding voltage: 100 VAC for 1 minute

Temperature Rating:

Operating temperature: -20°C to +60°C

Environmental:

Lead free, RoHS compliant.



UNLESS OTHERWISE SPECIFIED
 ALL DIMENSIONS ARE INCHES [MM]
 TOLERANCES: EXCEPT AS NOTED

INCHES		HOLES	
.X	± .10	∅X	± .10
.XX	± .020	∅XX	± .015
.XXX	± .015	∅XXX	± .010

APPROVALS		DATE
DRAWN	SS	04/20/05
CHECKED		
APPROVED		

ADAM TECH

909 Rahway Avenue, Union, NJ 07083
 Phone: 908-687-5000 Fax: 908-687-5710

TITLE: MINI USB, TYPE B, 5PIN, RIGHT ANGLE,
 PCB MOUNT

SIZE	PART NO.	REV.
X	MUSB-B5-S-RA	B
REF: S00005C	SCALE: NTS	SHEET 1 OF 1