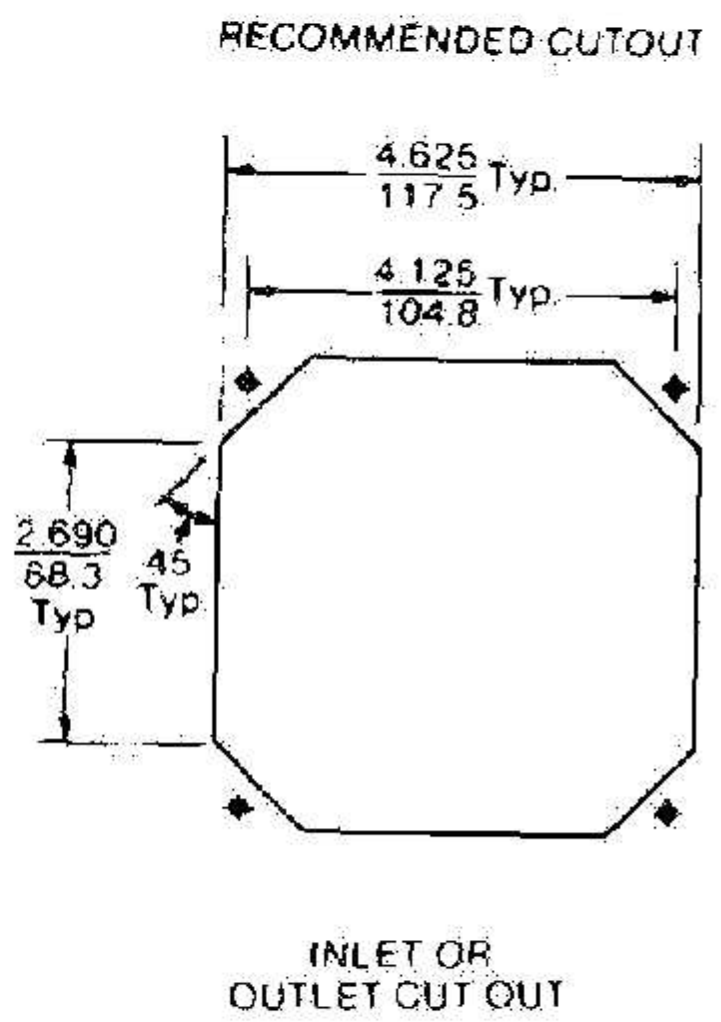
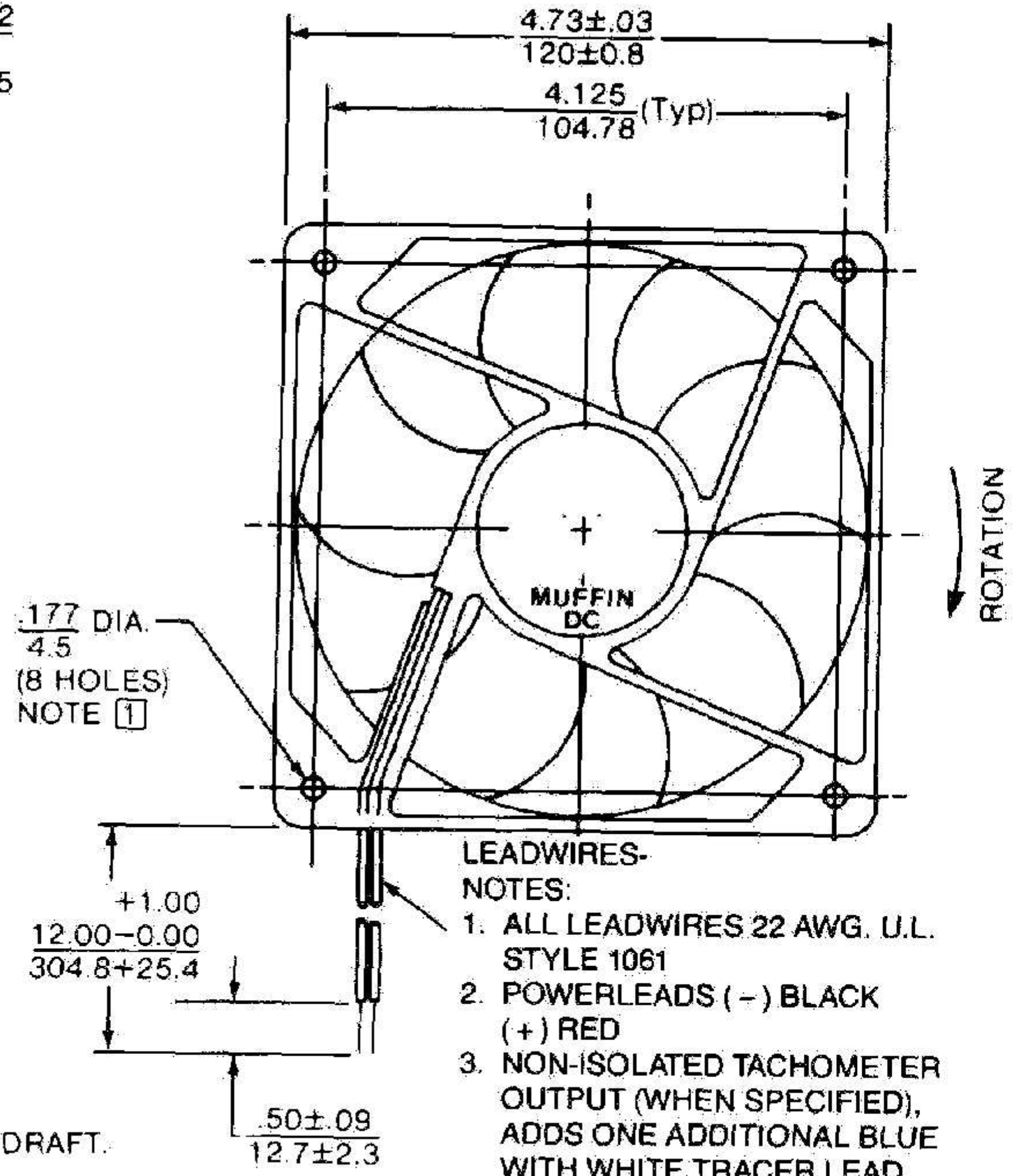


NOTES:
 1) \square DIA. AT LARGE END OF DRAFT.



DIMENSIONS: $\frac{\text{in}}{\text{mm}} \pm$
 TOLERANCES: .xx = $\frac{.03}{0.8}$
 .xxx = $\frac{.010}{.25}$
 ANGULAR $\pm 2^\circ$.25
 (UNLESS NOTED)

Specifications subject to change without notice.