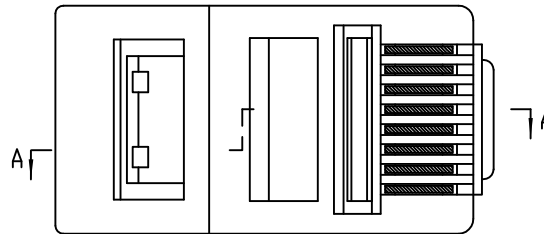
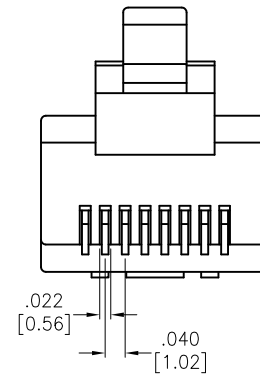
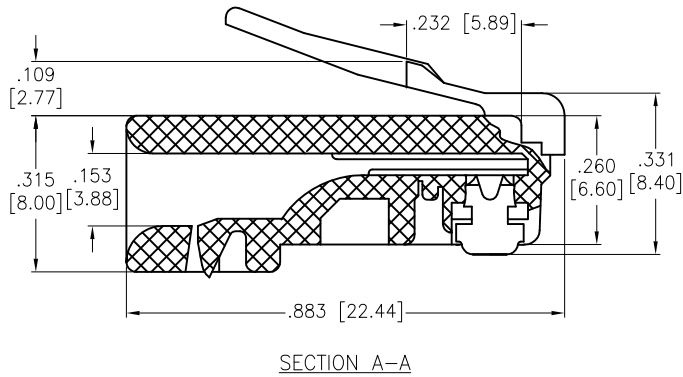
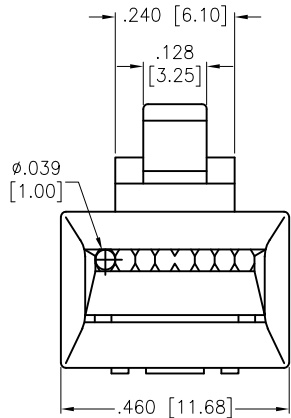


APPROVED: \_\_\_\_\_  
 DATE: \_\_\_\_\_ TITLE: \_\_\_\_\_

Rev	AWO #	Description	Date	Appr
-		RELEASED	12/1/04	
A		REDRAWN	5/28/08	
B		REDRAWN	4/23/14	AY/LL
C		ADDED SPEC.	4/11/18	HR/TY



"X"	PLATING
U	15 µin Gold
W	30 µin Gold
G	50 µin Gold

**SPECIFICATIONS:**

Material:  
 Insulator: Polycarbonate, rated UL 94V-0  
 Insulator color: Clear  
 Contacts: Phosphor Bronze  
 Plating:  
 Gold over Nickel underplate on contact area  
 Electrical:  
 Voltage rating: 150 VAC RMS  
 Current rating: 1.5 Amp  
 Contact resistance: 20 mohms max  
 Insulation resistance: 1,000 Mohms min @ 500 VDC  
 Dielectric withstanding voltage: 1000 VAC RMS for 1 minute  
 Mechanical:  
 Wire range: 24~26AWG Stranded wire, ø0.89~0.99mm<sup>2</sup>  
 Temperature Rating:  
 Operating temperature: -25°C to +55°C  
 Environmental:  
 Lead free, RoHS compliant



UNLESS OTHERWISE SPECIFIED ALL DIMENSIONS ARE INCHES [MM] TOLERANCES: EXCEPT AS NOTED	
INCHES	HOLES
.X ± .10	Ø.X ± .10
.XX ± .020	Ø.XX ± .015
.XXX ± .015	Ø.XXX ± .010
APPROVALS	
DRAWN	DATE
CHECKED	10/4/04
APPROVED	

**ADAM TECH**  
 909 Rahway Avenue, Union, NJ 07083  
 Phone: 908-687-5000 Fax: 908-687-5710

TITLE: **MODULAR TELEPHONE PLUG, 8P8C  
 STANDARD OVAL WIRE TYPE**

SIZE <b>X</b>	PART NO. <b>MTP-88-X</b>	REV. <b>C</b>
REF: S00005C	SCALE: NTS	SHEET 1 OF 1