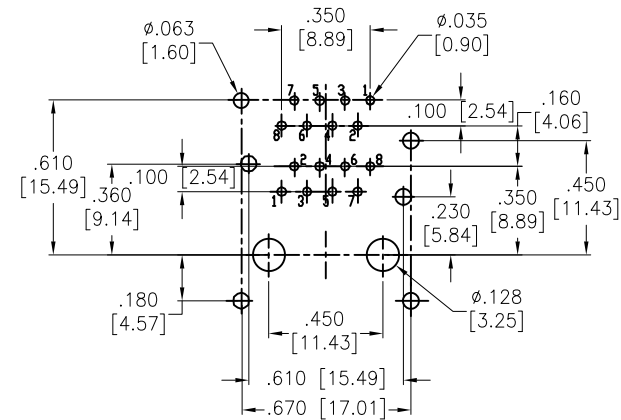
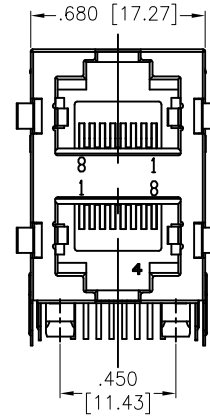
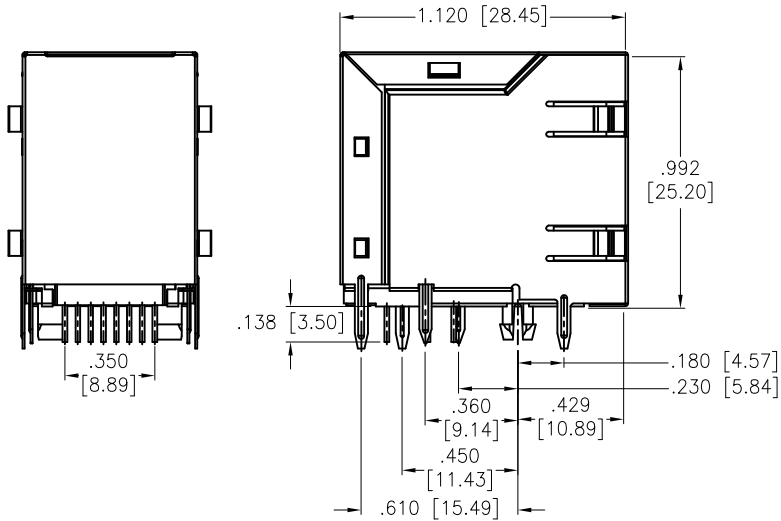
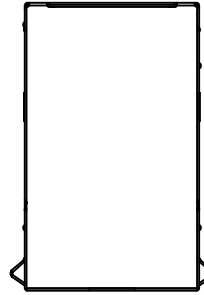


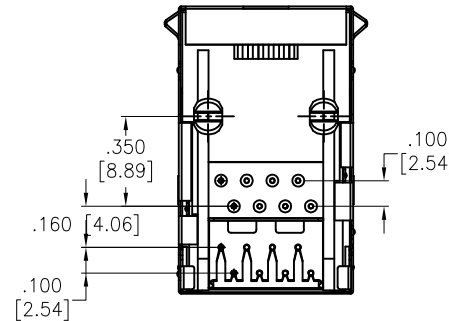
APPROVED: _____

DATE: _____ TITLE: _____

Rev	AWO #	Description	Date	Appr
-		RELEASED	4/24/14	
A		UPDATED DRAWING	3/20/15	HR/CH
B		UPDATED DRAWING	9/10/18	HR/MY
C		UPDATED DRAWING	3/15/22	WX/YC
D		UPDATED DRAWING	7/6/23	WX/MC



RECOMMENDED PCB LAYOUT



SPECIFICATIONS:

Material:

Insulator: PBT, rated UL 94V-0
 Insulator color: Pantone P114C, Yellow
 Contacts: Phosphor Bronze
 Shield: Brass, Nickel plated

Plating:

Round contact
 Gold over Nickel underplate overall
 Electrical:

Voltage rating: 150 VAC RMS
 Current rating: 1.5 Amp
 Contact Resistance: 20 mohms max.
 Insulation resistance: 1,000 Mohms min @ 500 VDC
 Dielectric withstanding voltage:
 Contact to Contact: 1,000 VDC/AC Peak for 1 minute
 Contact to Shield: 1,500 VDC or AC Peak for 1 minute
 Temperature Rating:
 Operating temperature: -40°C to +85°C
 Environmental:
 Lead free, RoHS compliant.



UNLESS OTHERWISE SPECIFIED ALL DIMENSIONS ARE INCHES [MM]. TOLERANCES: EXCEPT AS NOTED

INCHES		HOLES	
X	±.10	∅XX	±.10
.XX	±.020	∅.XX	±.015
.XXX	±.015	∅XXX	±.010

DRAWN	AY	4/24/14
CHECKED	LW	4/24/14
APPROVED		

THIS DRAWING CONTAINS INFORMATION THAT IS PROPRIETARY AND SHOULD NOT BE USED WITHOUT PRIOR WRITTEN PERMISSION FROM ADAM TECH



909 Rahway Avenue,
 Union, NJ 07083
 Phone: 908-687-5000
 Fax: 908-687-5710

TITLE MODULAR GANGED JACK, 2 PORT, 8P8C, RIGHT ANGLE SHIELDED, YELLOW P114C		
SIZE X	PART NO. MTJG-2-88JX1-FSG-PG-P114C	REV. D
REF: S00005C	SCALE: NTS	SHEET 1 OF 1