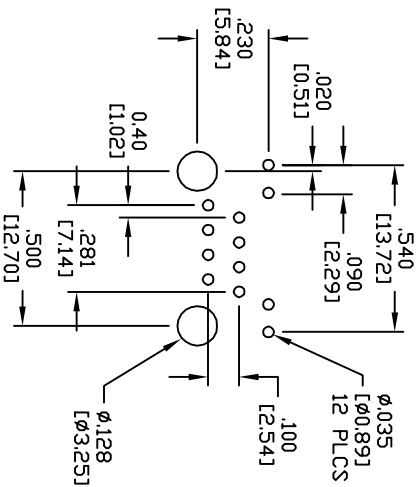
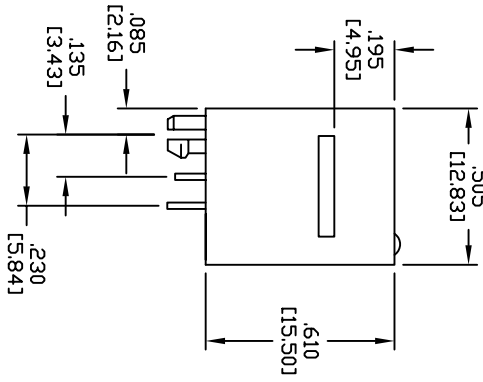
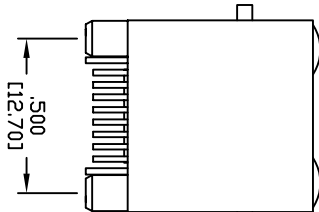
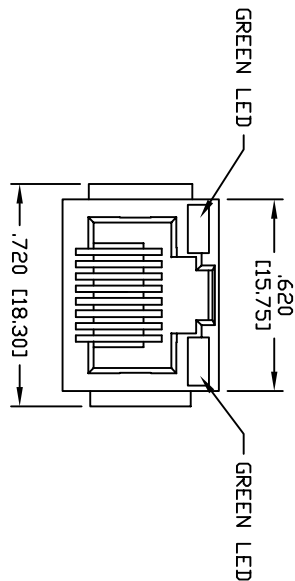


APPROVED: _____
 DATE: _____ TITLE: _____

Rev	AWO #	Description	Date	Appr
-		RELEASED	10/4/04	
A		ADDED LED SPECS	9/7/05	
B		ADDED LED WAVE LENGTH	9/23/05	



X	PLATING
0	15 μ m Gold
1	30 μ m Gold
2	50 μ m Gold

SPECIFICATIONS:

Material:

Insulator: Nylon, rated UL 94V-0

Insulator color: Black

Contacts: Phosphor Bronze

Shield: Phosphor Bronze, tin plated

Plating:

Gold over Nickel underplate on contact area, Tin over Copper underplate on SMT tails

Electrical:

Operating voltage: 150 VAC max

Current rating: 1.5 Amps max

Contact resistance: 20 mohms max

Insulation resistance: 500 Mohms min @ 500 VDC

Dielectric withstanding voltage: 1000 VAC for 1 minute

LED:

Forward Voltage: 2.2 Volts typ.

Reverse Voltage: 5.0 Volts min.

Luminous Intensity: 12 mCd common @ IF=20ma

Main Wave Length: 565nm

Lead Soldering Temp: 260 \pm 5°C for 5 seconds

Temperature Rating: -40°C to +125°C

Operating temperature: -40°C to +125°C

Environmental:
 Lead free, RoHS compliant.
 Recommended soldering temp: 260 for 5 sec.



ADAM TECH

909 Railway Avenue, Union, NJ 07083
 Phone: 908-687-5000 Fax: 908-687-5710

MODULAR TELEPHONE JACK, 8P8C
 VERTICAL PCB, GREEN LEADS

UNLESS OTHERWISE SPECIFIED ALL DIMENSIONS ARE INCHES [MM]	
TOLERANCES EXCEPT AS NOTED	
INCHES	HOLDS
.X \pm .10	\pm .10
.XX \pm .020	\pm .015
.XXX \pm .015	\pm .010
APPROVALS	DATE
DRAWN	SS
CHECKED	
APPROVED	

SIZE	PART NO.	REV.
X	MTJ-88DX1-LD	B
SCALE: NTS	SHEET 1 OF 1	